



90° single-acting flow control valves

FT 1254/5-01

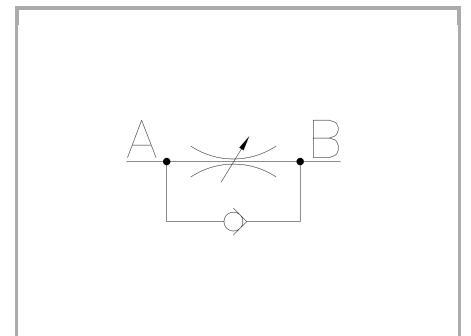
Single-acting flow control valves available from 1/8" to 1/2" BSPP size, max. working pressure 210 Bar, adjustable oil flow rate from 0,5 to 35 Lt./min. (depending on the size)

Single-acting control

90° configuration In line or panel mounting

Brass OT58 - UNI5705 Nickel Plated

Connections: F - F Female - Female



Technical information

Technical description

The valves FT 1254/5-01 are manufactured by the moulding of series FT 1252/2, allow flow regulation in one direction and full free flow in opposite direction thanks to the needle, with incorporated ball, they are equipped with. They are a valid alternative to FT 257/5 for applications where the working pressure does not exceed 210 bar or where ferrous materials cannot be used. They are ideal for use with fluids other than oil (such as : air, gas and liquids in general).They have the same characteristics as the FT 257 series: • efficient metallic sealing; • flow linearity at the opening; • simple setting of flow rates; • secure against accidental needle lift-out ; • secure needle position; • panel mounting provision, for which special lock nuts (G) are supplied on request.

Materials

CORPO VALVOLA / VALVE BODY	OT 58-UNI EN 12165
SPILLO DI REGOLAZIONE / ADJUSTING NEEDLE	Acciaio/Steel X 10 Cr Ni S 1809-UNI EN 10088-1
GUARNIZIONI / GASKETS	Di serie NBR - A richiesta FPM/Standard NBR-on demand FPM
ANELLI ANTIESTRUSIONE / ANTIEXTRUSION RINGS	PTFE
MANOPOLA TIPO MA - RA / KNOB TYPE MA - RA	GD AISi12 - UNI EN AB 46100
MANOPOLA TIPO MP / KNOB TYPE MP	ABS

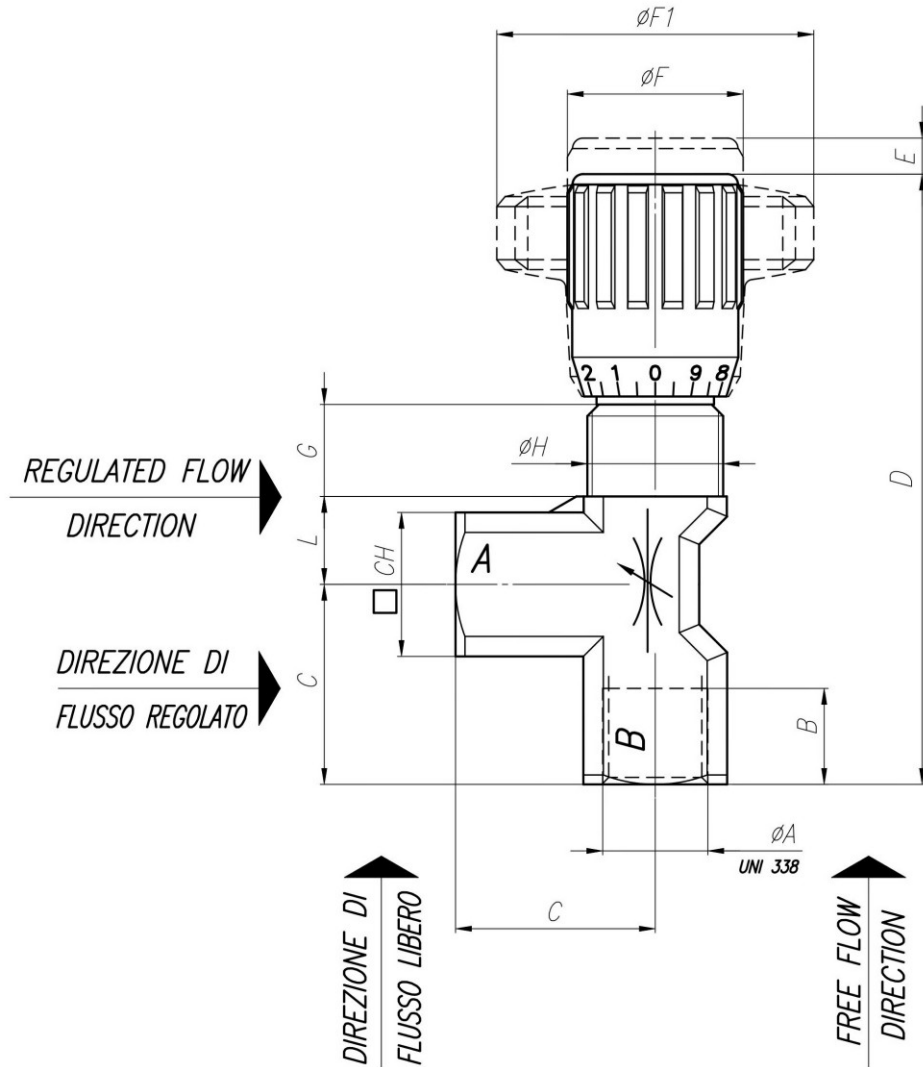


Technical data

TIPO / TYPE	PRESSIONE ESERCIZIO BAR / WORKING PRESSURE BAR	TEMPERATURA ESERCIZIO / WORKING TEMPERATURE	GRADO DI FILTRAZIONE μm / FILTRATION GRADE μm
18	210	-20°C/+100°C	25
14	210	-20°C/+100°C	25
38	210	-20°C/+100°C	25
12	210	-20°C/+100°C	25

Dimensional tables and drawings

TIPO / TYPE	A UNI 338	B	C	D	E	$\varnothing F$	$\varnothing F1$	G	H	L	CH	PESO / WEIGHT KG
18	1/8" G	8	21	69	4	22	40	12	M15x1	9,5	15	0,105
14	1/4" G	12	25	74	4,5	22	40	11	M17x1	11,5	18	0,137
38	3/8" G	13	29,5	88	7	27	50	12,5	M20x1	15	22	0,251
12	1/2" G	16	36	105	10	33	70	13	M25x1,5	19	27	0,450





Flow rate curves

