



## In line double-acting flow control valves

### FT 1251/2-01

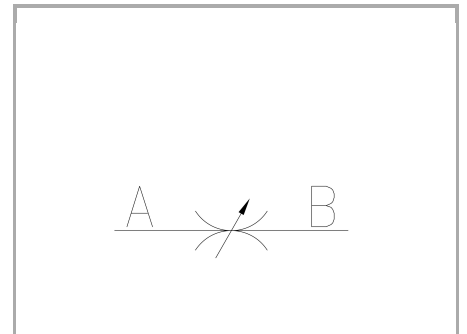
Double-acting flow control valves available from 1/8" to 3/4" BSPP size, max.working pressure 210 Bar, adjustable oil flow rate from 0,5 to 80 Lt./min. (depending on the size)

**Double-acting control**

**In line or panel mounting**

**Brass OT58 - UNI5705 Nickel Plated**

**Connections: F - F Female - Female**



## Technical information

### Technical description

The valves FT 1251/2-01 allow flow regulation in both directions. Of unmistakable style they are manufactured with materials also suitable for applications with fluids other than oil (such as: water, gas and liquids in general). They are suitable for application where working pressure does not exceed 210 bar, as an alternative to FT 257/2 (suitable up to 400 bar) or where ferrous materials cannot be used. They have the same characteristics as the FT 257 series: • accurate flow regulation; • efficient metallic sealing; • simple setting of flow rates; • secure against accidental needle lift-out; • secure needle position with locking screw inserted in the knob; • panel mounting provision, for which special lock nuts (G) are supplied on request.

### Materials

<b>CORPO VALVOLA / VALVE BODY</b>	<b>OT 58-UNI EN 12165</b>
<b>SPILLO DI REGOLAZIONE / ADJUSTING NEEDLE</b>	<b>Acciaio/Steel X 10 Cr Ni S 1809-UNI EN 10088-1</b>
<b>GUARNIZIONI / GASKETS</b>	<b>Di serie NBR - A richiesta FPM/Standard NBR-on demand FPM</b>
<b>ANELLI ANTIESTRUSIONE / ANTIEXTRUSION RINGS</b>	<b>PTFE</b>
<b>MANOPOLA TIPO MA - RA / KNOB TYPE MA - RA</b>	<b>GD AlSi12 - UNI EN AB 46100</b>
<b>MANOPOLA TIPO MP / KNOB TYPE MP</b>	<b>ABS</b>

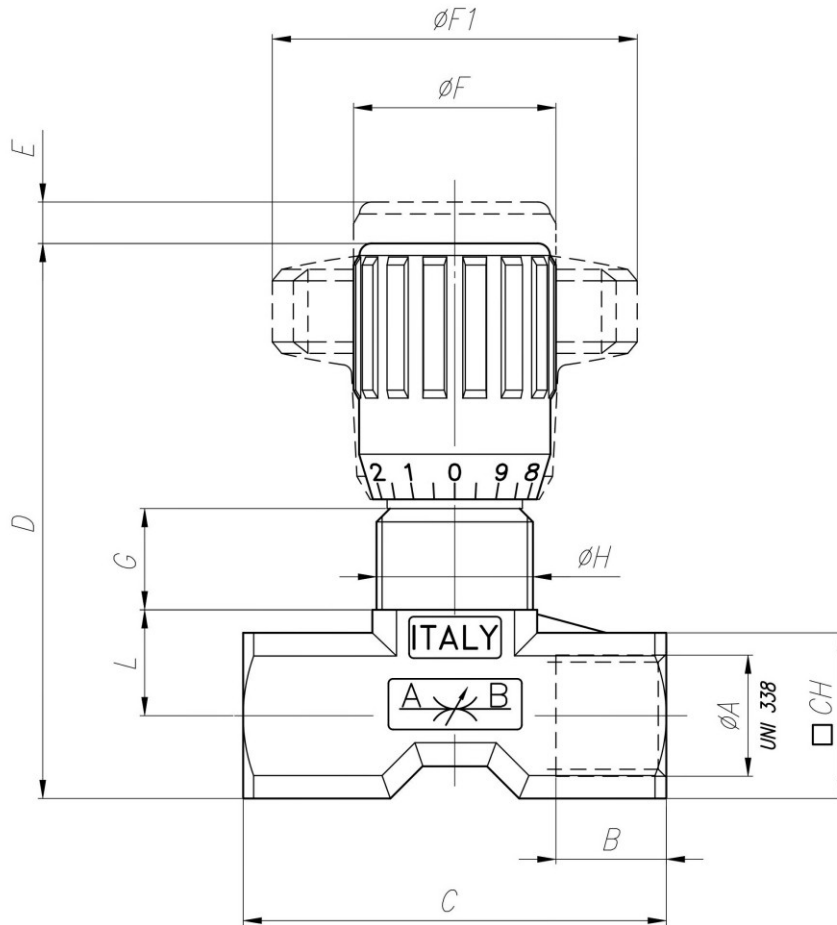


## Technical data

TIPO / TYPE	PRESSIONE ESERCIZIO BAR / WORKING PRESSURE BAR	TEMPERATURA ESERCIZIO / WORKING TEMPERATURE	GRADO DI FILTRAZIONE $\mu\text{m}$ / FILTRATION GRADE $\mu\text{m}$
18	210	-20°C/+100°C	25
14	210	-20°C/+100°C	25
38	210	-20°C/+100°C	25
12	210	-20°C/+100°C	25
34	210	-20°C/+100°C	25

## Dimensional tables and drawings

TIPO / TYPE	A UNI 338	B	C	D	E	$\varnothing\text{F}$	$\varnothing\text{F1}$	G	H	L	CH	PESO / WEIGHT KG
18	1/8" G	8	40	55	4	22	40	12	M15x1	9,5	15	0,105
14	1/4" G	12	46	57	4,5	22	40	11,5	M17x1	11,5	18	0,122
38	3/8" G	13	55	69	7	27	50	12,5	M20x1	15	22	0,233
12	1/2" G	16	70	82	10	33	70	13	M25x1,5	19	27	0,455
34	3/4" G	20	91	100	12	38	80	15	M30x1,5	22	34	0,860





## Flow rate curves

