



In line single-acting flow control valves

FT 1251/5-01

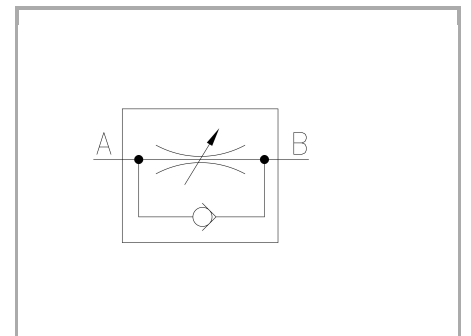
Single-acting flow control valves available from 1/4" to 3/4" BSPP size, max. working pressure 210 Bar, adjustable oil flow rate from 1 to 80 Lt/min. (depending on the size)

Single-acting control

In line or panel mounting

Brass OT58 - UNI5705 Nickel Plated

Connections: F - F Female - Female



Technical information

Technical description

The valves FT 1251/5-01 guarantee precise flow regulation in one direction and full free flow in opposite direction thanks to the equipment of single-acting unit with ball guide. They are an alternative to FT 257/5 where the working pressure does not exceed 210 bar or where ferrous materials cannot be used. They are ideal for use with fluids other than oil (such as: air, gas, and liquids in general). They have the same characteristics as the FT 257 series: • efficient metallic sealing; • flow linearity at the opening; • simple setting of flow rates; • secure against accidental needle lift-out; • secure needle positio; • panel mounting provision, for which special lock nuts (G) are supplied on request.

Materials

CORPO VALVOLA / VALVE BODY	OT 58-UNI EN 12165
SPILLO DI REGOLAZIONE / ADJUSTING NEEDLE	Acciaio/Steel X 10 Cr Ni S 1809-UNI EN 10088-1
GUARNIZIONI / GASKETS	Di serie NBR - A richiesta FPM/Standard NBR-on demand FPM
ANELLI ANTIESTRUSIONE / ANTIEXTRUSION RINGS	PTFE
MOLLA / SPRING	Acciaio/Steel AISI 302
SFERA / BALL	Acciaio/Steel UNI 100-C6
GUIDA SFERA / BALL GUIDE	NYLON 66 + FIBRA CARBONIO / CARBON FIBRE
MANOPOLA TIPO MA - RA / KNOB TYPE MA - RA	GD AISi12 - UNI EN AB 46100
MANOPOLA TIPO MP / KNOB TYPE MP	ABS

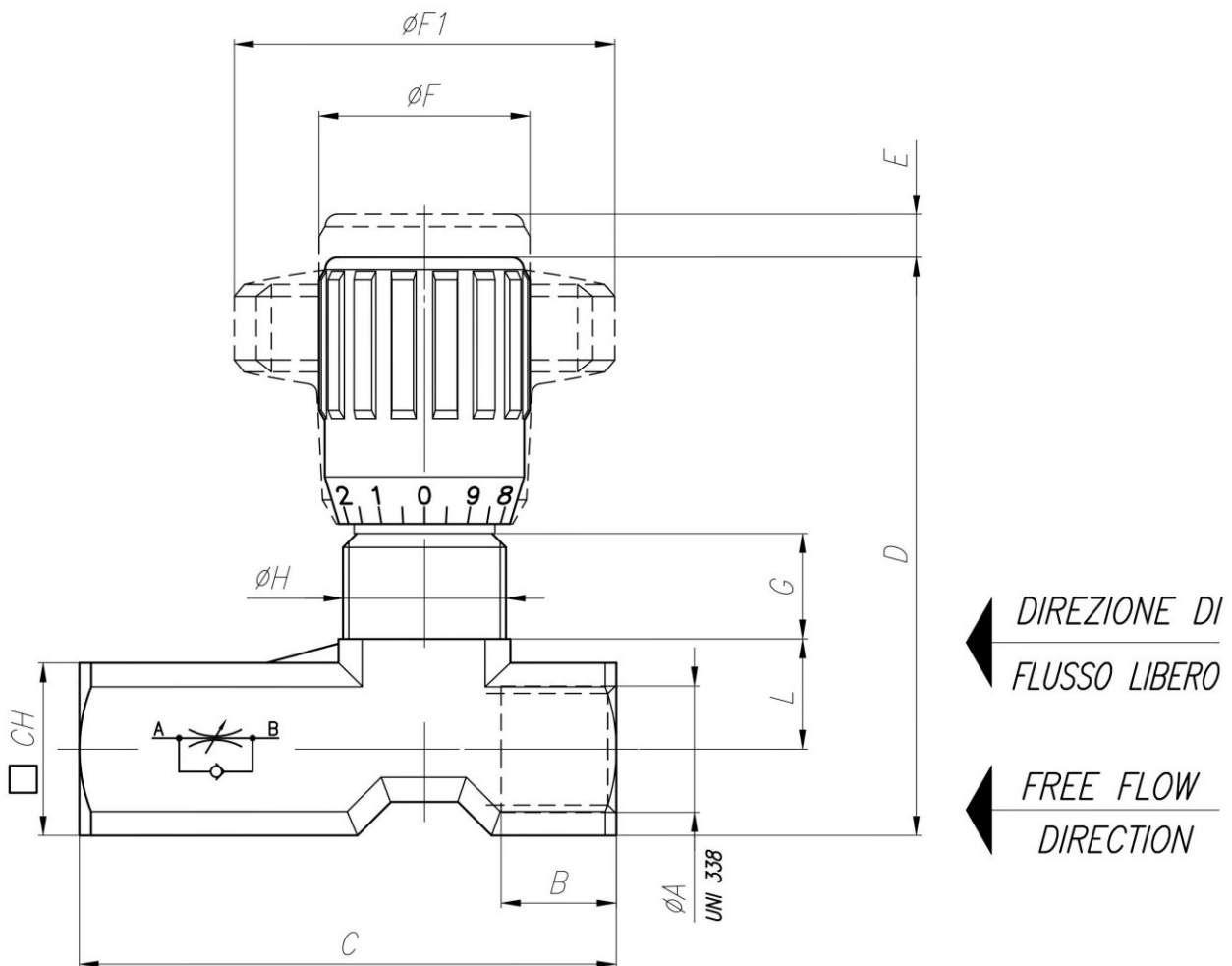


Technical data

TIPO / TYPE	PRESSIONE ESERCIZIO BAR / WORKING PRESSURE BAR	TEMPERATURA ESERCIZIO / WORKING TEMPERATURE	GRADO DI FILTRAZIONE μm / FILTRATION GRADE μm
14	210	-20°C/+100°C	25
38	210	-20°C/+100°C	25
12	210	-20°C/+100°C	25
34	210	-20°C/+100°C	25

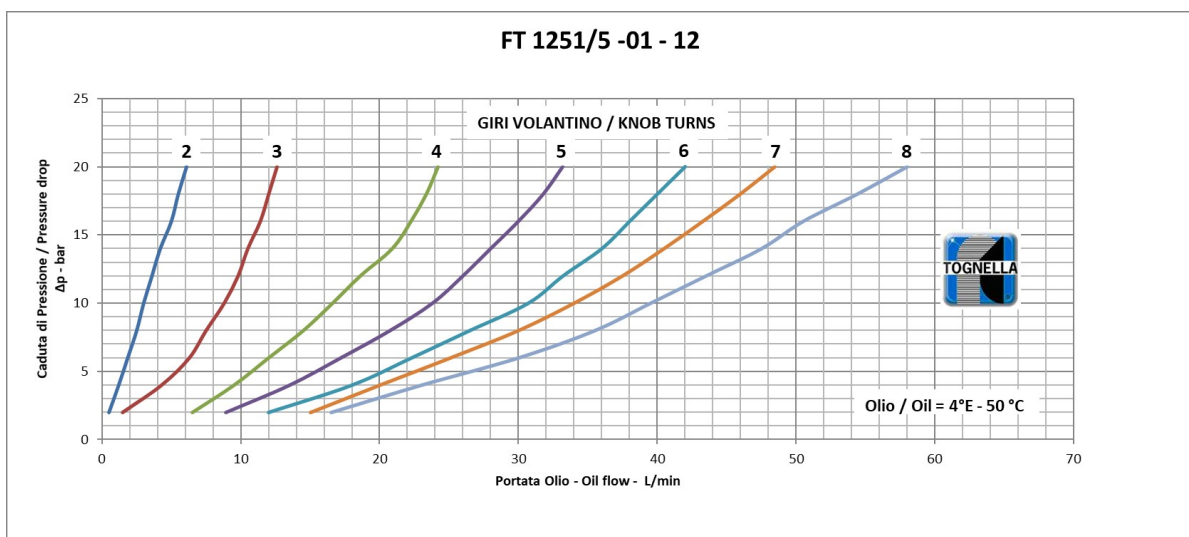
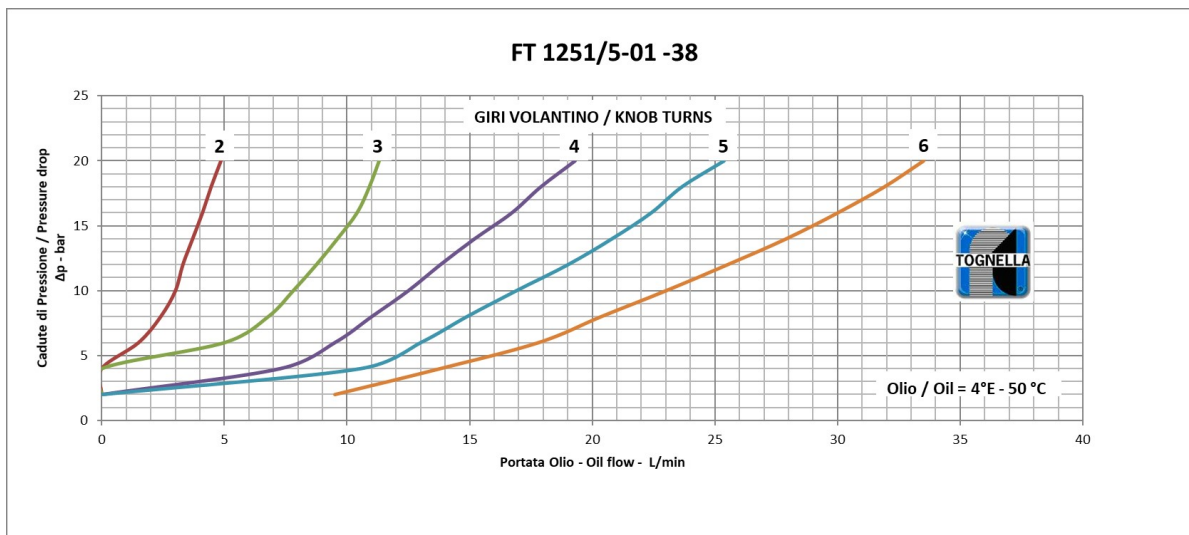
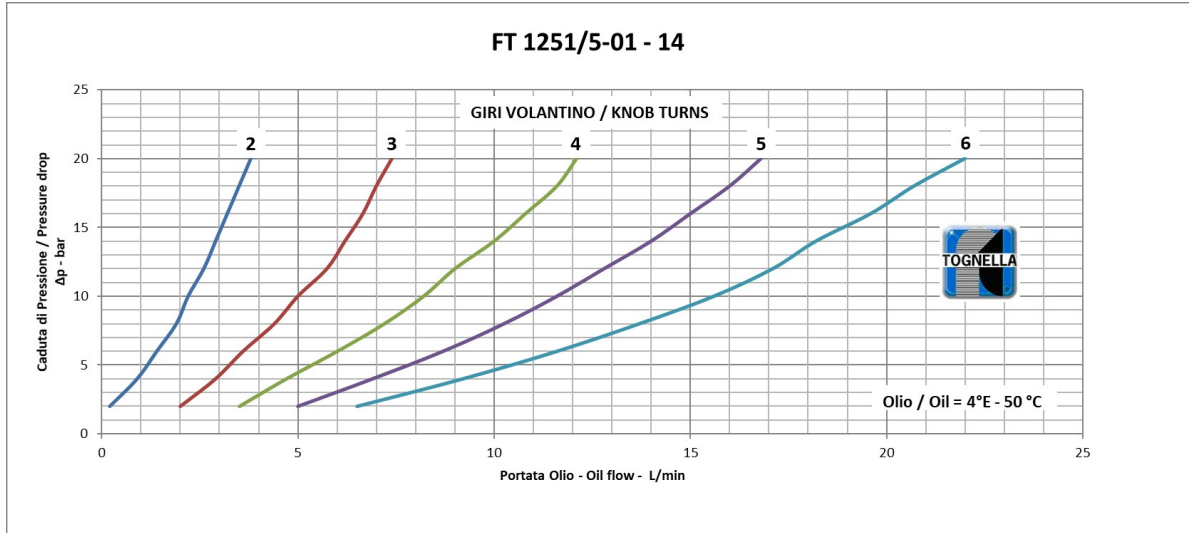
Dimensional tables and drawings

TIPO / TYPE	A UNI 338	B	C	D	E	ϕF	$\phi F1$	G	H	L	CH	PESO / WEIGHT KG
14	1/4" G	12	56	57	4,5	22	40	11,5	M17x1	11,5	18	0,138
38	3/8" G	13	64,5	69	7	27	50	12,5	M20x1	15	22	0,259
12	1/2" G	16	87	82	10	33	70	13	M25x1,5	19	27	0,499
34	3/4" G	20	115	100	12	38	80	15	M30x1,5	22	34	0,975



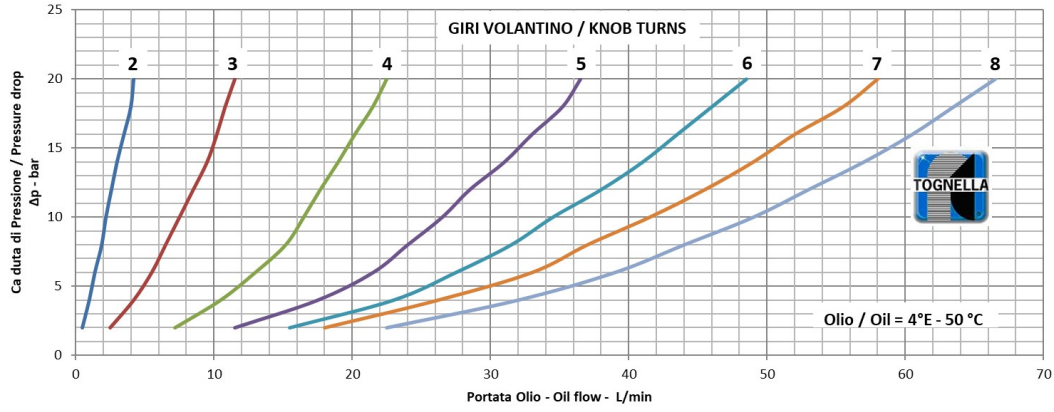


Flow rate curves





FT 1251/5 -01 -34



FT 1251/5 -01 - PORTATA FLUSSO LIBERO / FREE FLOW

