



## In line single-acting flow control valves

### FT 1253/5-01

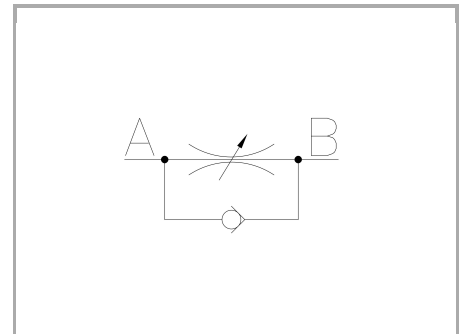
Single-acting flow control valves available from 1/8" to 3/4" BSPP size, max.working pressure 210 Bar, adjustable oil flow rate from 1 to 80 Lt./min. (depending on the size) - compact series -

**Single-acting control**

**In line or panel mounting**

**Brass OT58 - UNI5705 Nickel Plated**

**Connections: F - F Female - Female**



## Technical information

### Technical description

The valves of FT 1253/5 are manufactured by the moulding of series FT 1251/2 guarantee flow regulation in one direction and full free flow in opposite direction thanks to the needle, unit with ball incorporated they are equipped with. They are an alternative to FT 257/5 for applications where the working pressure does not exceed 210 bar and where ferrous materials cannot be used. They are ideal for use with fluids other than oil ( such as: air, gas and liquids in general ). They have the same characteristics as the FT 257 series: • efficient metallic sealing; • flow linearity at the opening; • simple setting of flow rates; • secure against accidental needle lift-out; • secure needle position; • panel mounting provision, for which special lock nuts (G) are supplied on request.

### Materials

CORPO VALVOLA / VALVE BODY	OT 58-UNI EN 12165
SPILLO DI REGOLAZIONE / ADJUSTING NEEDLE	Acciaio/Steel X 10 Cr Ni S 1809-UNI EN 10088-1
GUARNIZIONI / GASKETS	Di serie NBR - A richiesta FPM/Standard NBR-on demand FPM
ANELLI ANTIESTRUSIONE / ANTIEXTRUSION RINGS	PTFE
MANOPOLA TIPO MA - RA / KNOB TYPE MA - RA	GD AISi12 - UNI EN AB 46100
MANOPOLA TIPO MP / KNOB TYPE MP	ABS



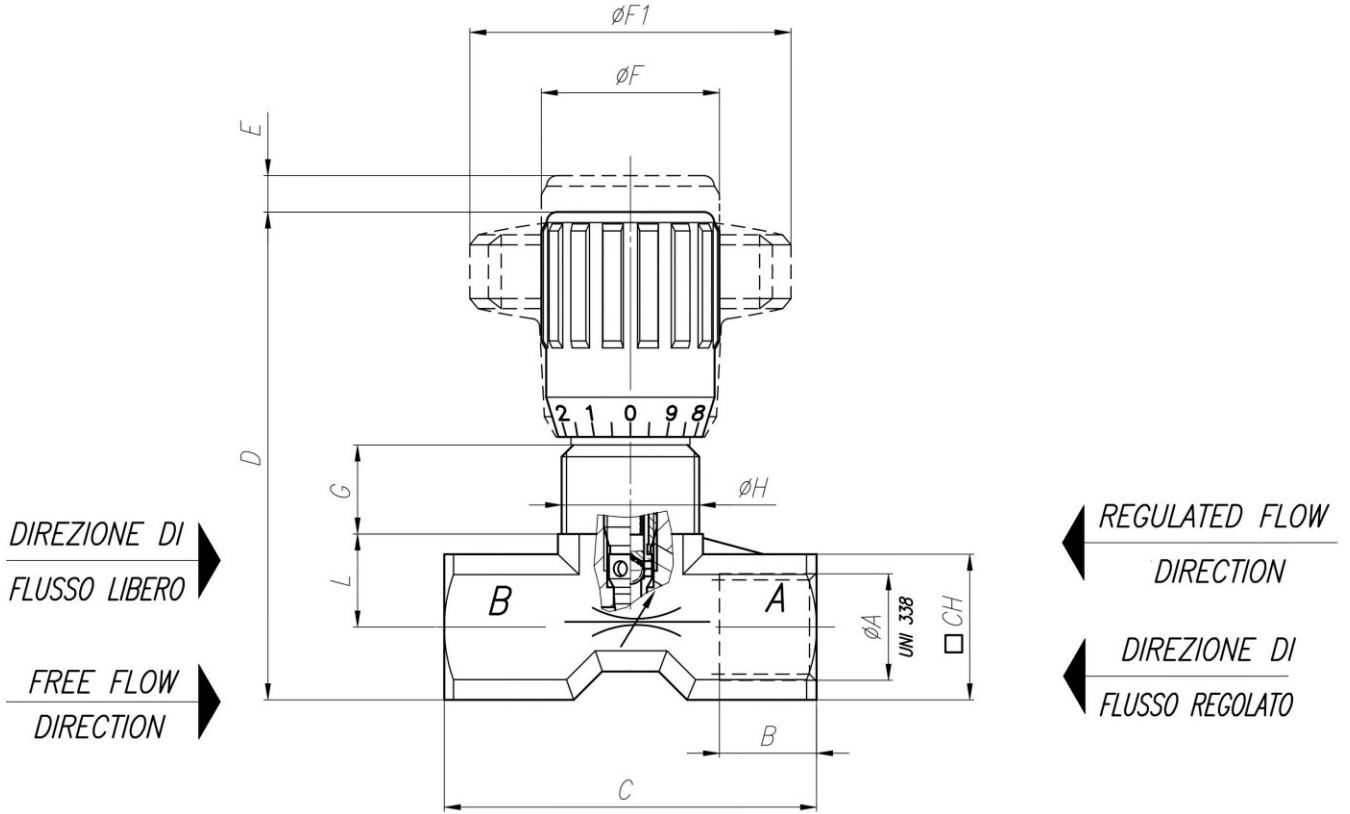
## Technical data

TIPO / TYPE	PRESSIONE ESERCIZIO BAR / WORKING PRESSURE BAR	TEMPERATURA ESERCIZIO / WORKING TEMPERATURE	GRADO DI FILTRAZIONE $\mu\text{m}$ / FILTRATION GRADE $\mu\text{m}$
18	210	-20°C/+100°C	25
14	210	-20°C/+100°C	25
38	210	-20°C/+100°C	25
12	210	-20°C/+100°C	25
34	210	-20°C/+100°C	25

## Dimensional tables and drawings

TIPO / TYPE	$\varnothing A$ UNI 338	B	C	D	E	$\varnothing F$
18	1/8" G	8	40	55	4	22
14	1/4" G	12	46	57	4,5	22
38	3/8" G	13	55	69	7	27
12	1/2" G	16	70	82	10	33
34	3/4" G	20	91	100	12	38

TIPO / TYPE	$\varnothing F1$	G	$\varnothing H$	L	CH	PESO / WEIGHT KG
18	40	12	M15x1	9,5	15	0,105
14	40	11,5	M17x1	11,5	18	0,135
38	50	12,5	M20x1	15	22	0,250
12	70	13	M25x1,5	19	27	0,460
34	80	15	M30x1,5	22	34	0,860



## Flow rate curves

