



## 90° double-acting flow control valves

### FT 252/2-01

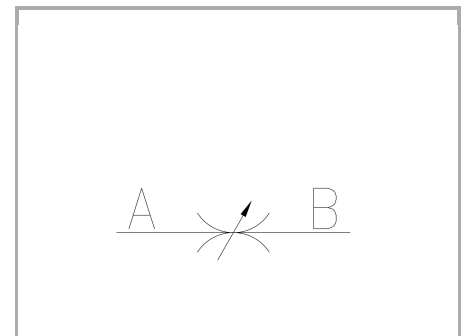
Double-acting flow control valves available from 1/4" to 1/2" bsp size, max. working pressure 350 Bar, adjustable oil flow rate from 0,5 to 60 Lt./min. (depending on the size)

**Double-acting control**

**90° configuration In line or panel mounting**

**Carbon steel**

**Connections: F - F Female - Female**



## Technical information

### Technical description

The valves FT 252/2-01, unlike the previous series 258/2, are manufactured by the moulding for working pressure up to 350 bar. They allow flow control in both directions. They are equipped with a needle so to obtain: • efficient metallic sealing; • flow linearity at the opening; • accurate control for a wide range of flow rate. A double reference system made up of a decimal scale on the handwheel and of a keyed metal ring with graduated fractional scale and divided into sectors, allows easily to identify the flow conditions. A locking screw in the handwheel ensures stable flow values preventing accidental adjustments or movements due to vibrations and unwanted impacts. A ring nut (G) is used to carry out the panel mounting, on request.

### Materials

<b>CORPO VALVOLA / VALVE BODY</b>	<b>Acciaio/Steel 11 S Mn Pb 37-UNI EN 10087</b>
<b>SPILLO DI REGOLAZIONE / ADJUSTING NEEDLE</b>	<b>Acciaio legato/Alloy steel</b>
<b>GUARNIZIONI / GASKETS</b>	<b>Di serie NBR - A richiesta FPM/Standard NBR-on demand FPM</b>
<b>ANELLI ANTIESTRUSIONE / ANTIEXTRUSION RINGS</b>	<b>PTFE</b>
<b>MANOPOLA TIPO MA - RA / KNOB TYPE MA - RA</b>	<b>Alluminio / Aluminium GD AlSi12 - UNI EN AB 46100</b>
<b>MANOPOLA TIPO MP / KNOB TYPE MP</b>	<b>ABS</b>

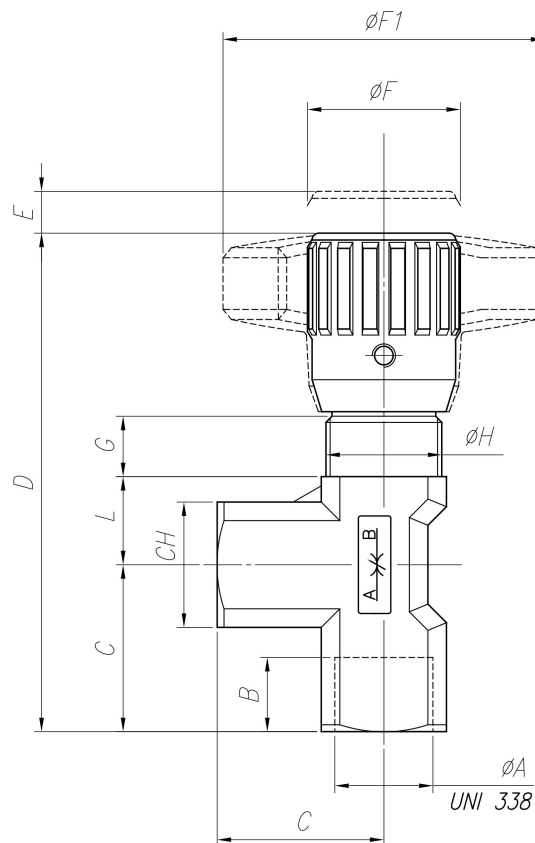


## Technical data

TIPO / TYPE	PRESSIONE ESERCIZIO BAR / WORKING PRESSURE BAR	MIN. PRESSIONE SCOPPIO BAR / MIN. BURSTING PRESSURE BAR	TEMPERATURA ESERCIZIO / WORKING TEMPERATURE	GRADO DI FILTRAZIONE $\mu\text{m}$ / FILTRATION GRADE $\mu\text{m}$
14	350	1600	-20°C/+100°C	25
38	350	1600	-20°C/+100°C	25
12	350	1600	-20°C/+100°C	25

## Dimensional tables and drawings

TIPO / TYPE	A UNI 338	B	C	D	E	$\varnothing F$	$\varnothing F1$	G	H	L	CH	PESO / WEIGHT KG
14	1/4" G	12	25	74.5	4.5	22	40	12	M17x1	11	18	0.125
38	3/8" G	13	29.5	88	7	27	50	11.5	M20x1	15	22	0.228
12	1/2" G	16	36	105	10	33	70	13	M25x1,5	19	27	0.418





## Flow rate curves

