



90° double-acting flow control valves Male-Female threads

FT 2252/2-02

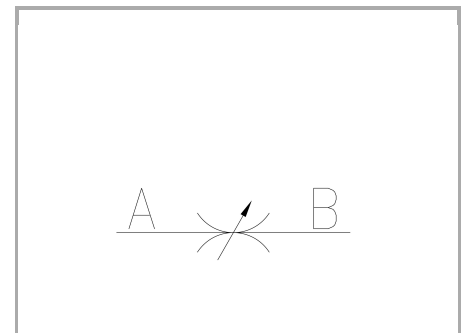
Double-acting flow control valves available from 1/4" to 1/2" BSPP size, max. working pressure 350 Bar, adjustable oil flow rate from 0,5 to 60 Lt./min. (depending on the size)

Double-acting control

90° configuration In line or panel mounting

Stainless Steel AISI 316

Connections: M - F Male - Female



Technical information

Technical description

The valves of series FT 2252/2-02, manufactured by moulding, are 90° version of the appreciated series FT 2251/2-02. They allow flow regulation in both directions. they are equipped with a needle properly set up to obtain :• efficient metallic sealing; • flow linearity at the opening; • accurate regulation for a wide range of flow rate. A double reference system made up of a decimal scale on the handwheel and of a keyed metal ring, with graduated scale, and divided into sectors, permits to easily identify flow conditions. A locking screw, inside the handwheel, guarantees stable flow values preventing vibrations, accidental movements and possible impacts. For panel mounting is sufficient to insert a nut (G), supplied on request.

Materials

CORPO VALVOLA / VALVE BODY	Acciaio INOX / Stainless Steel AISI 316
SPILLO DI REGOLAZIONE / ADJUSTING NEEDLE	Acciaio INOX / Stainless Steel AISI 630
GUARNIZIONI / GASKETS	FPM
ANELLI ANTIESTRUSIONE / ANTIEXTRUSION RINGS	PTFE
MANOPOLA TIPO MA - RA / KNOB TYPE MA - RA	Alluminio/Aluminum GD AISi12- UNI EN AB 46100
MANOPOLA TIPO MP / KNOB TYPE MP	ABS



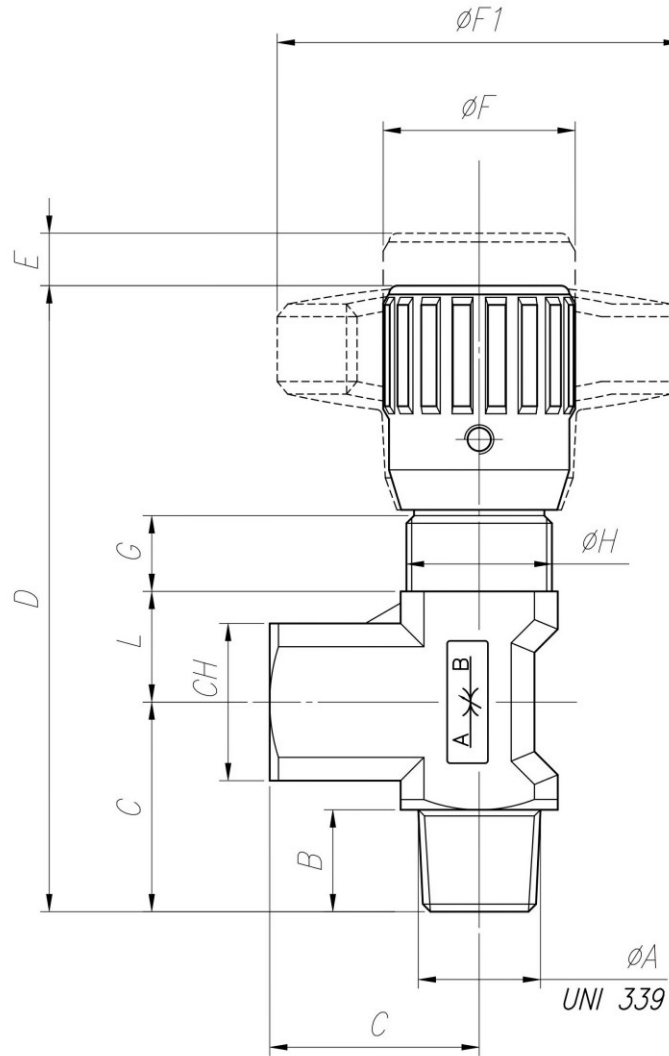
Technical data

TIPO / TYPE	PRESSIONE ESERCIZIO BAR / WORKING PRESSURE BAR	MIN. PRESSIONE SCOPPIO BAR / MIN. BURSTING PRESSURE BAR	TEMPERATURA ESERCIZIO / WORKING TEMPERATURE	GRADO DI FILTRAZIONE μm / FILTRATION GRADE μm
14	350	1600	-20°C/+130°C	25
38	350	1600	-20°C/+130°C	25
12	350	1600	-20°C/+130°C	25

Dimensional tables and drawings

TIPO / TYPE	A UNI 339	B	C	D	E	\varnothing F
14	1/4" Gc	14	25	74.5	4.5	22
38	3/8" Gc	15	29.5	88	7	27
12	1/2" Gc	18	36	105	10	33

TIPO / TYPE	\varnothing F1	G	H	CH	PESO / WEIGHT KG
14	40	12	M17x1	18	0,125
38	50	11.5	M20x1	22	0,228
12	70	13	M25x1,5	27	0,418





Flow rate curves

