



Double-acting flow/braking control valves

FT 243/2

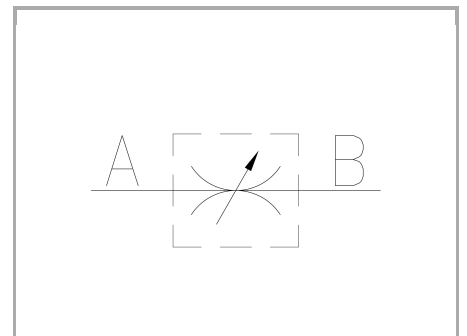
Double-acting flow control valves available from 1/4" to 3/4" size - METRIC THREADS. Max. working pressure 300 Bar, adjustable oil flow rate from 0,2 to 80 Lt./min. (depending on the size)

Double-acting control

No pressure compensated flow control

METRIC threads

Carbon steel



Technical information

Technical description

They are composed of a needle throttling which allows a very sensitive control. They can be used in the assembling in manifolds and integrated blocks and are also used as cylinder braking valves. Recommended filtration: 60 micron or inferior. Max. working pressure: 300 bar

Materials

CORPO / BODY	Acciaio legato/Alloy Steel
SPILLO DI REGOLAZIONE / ADJUSTING NEEDLE	Acciaio/Steel 35 S Mn Pb 10-UNI EN 10083
GUARNIZIONI / GASKETS	Di serie NBR - A richiesta FPM/Standard NBR-on demand FPM
DADO / NUT	Acciaio/Steel 35 S Mn Pb 10-UNI EN 10083
ANELLI ANTIESTRUSIONE / ANTIEXTRUSION RINGS	PTFE

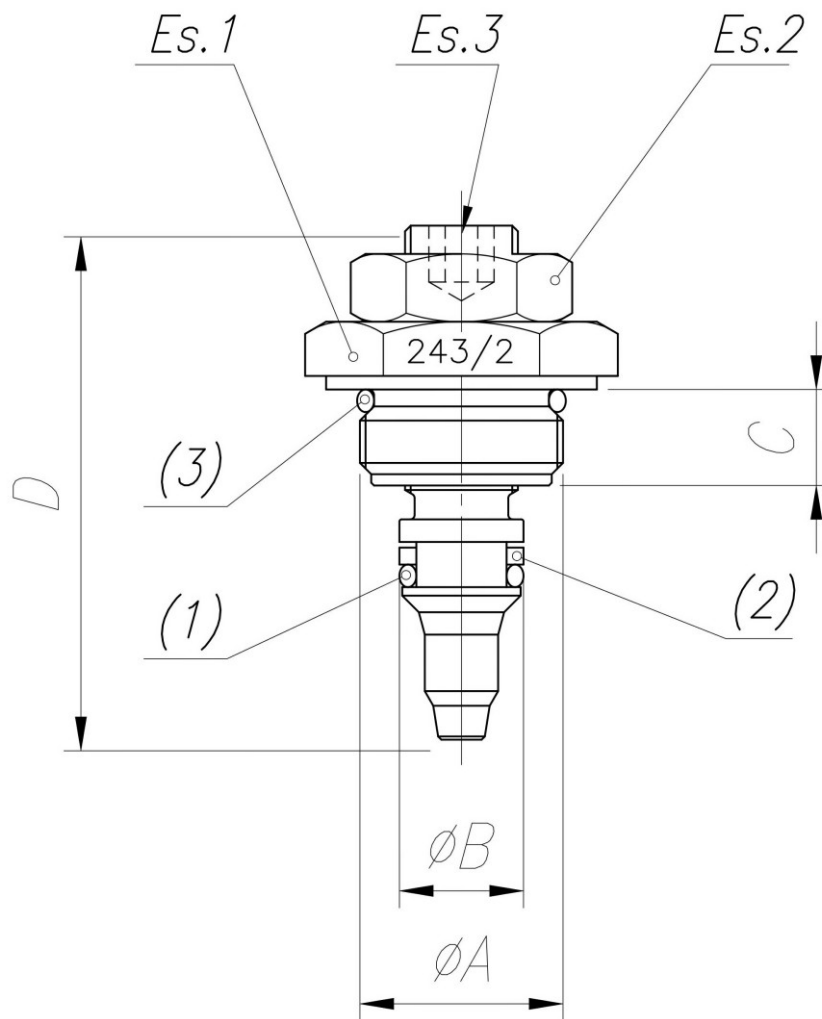
Technical data

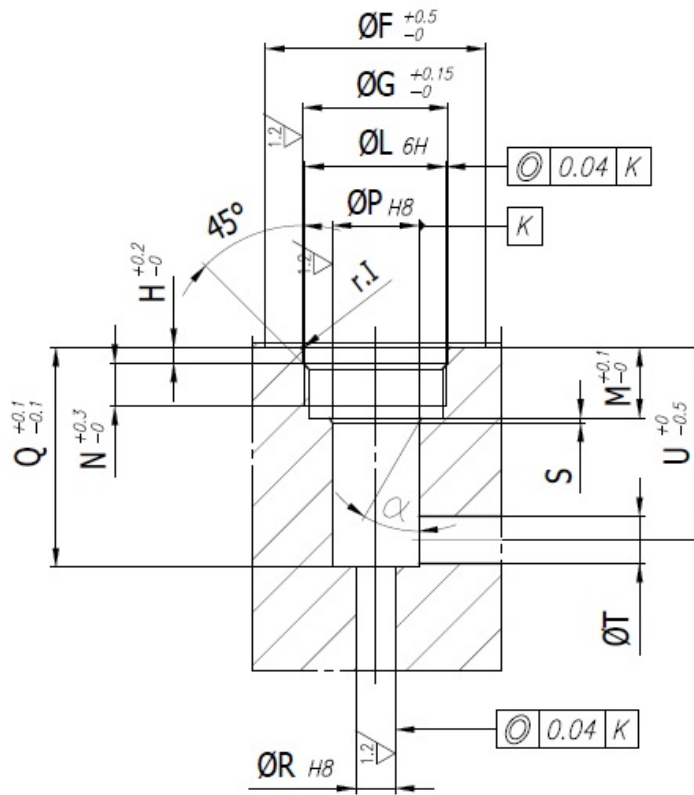
TIPO / TYPE	PRESSIONE ESERCIZIO BAR / WORKING PRESSURE BAR	MIN. PRESSIONE SCOPPIO BAR / MIN. BURSTING PRESSURE BAR	TEMPERATURA ESERCIZIO / WORKING TEMPERATURE	GRADO DI FILTRAZIONE µm / FILTRATION GRADE µm
14	300	1300	-20°C/+100°C	25
38	300	1300	-20°C/+100°C	25
12	300	1300	-20°C/+100°C	25
34	300	1300	-20°C/+100°C	25



Dimensional tables and drawings

TIPO / TYPE	ϕA	ϕB	c	D	Es. 1	Es. 2	Es. 3	(1) OR	(2) BK	(3) OR	PESO / WEIGHT KG
14	M17x1	10	8,5	44,5	22	17	4	106	106	2056	0,046
38	M18x1	11	8,5	45,5	24	17	5	2031	2031	2062	0,055
12	M22x1,5	14	13,5	66,5	27	19	7	2043	2043	2075	0,107
34	M27x1,5	18	18	82	32	22	9	2056	2056	3093	0,189





	$\varnothing F$	$\varnothing G$	H	$\varnothing L$	M	N	$\varnothing P$	Q	$\varnothing R$	S	$\varnothing T$	U	r.l	α
14	26	17.5	2	M17x1	9	5.5	10	28	4	0.6	4.5	25	0.3	30°
38	28	18.5	2	M18x1	9	5	11	28	5	0.6	6	24.5	0.3	30°
12	33	22.5	2.5	M22x1.5	15	10	14	40.5	8	1	8	36	0.3	20°
34	35	28	3.5	M27x1.5	21	15	18	54.5	10	1.5	10	48.5	0.5	20°

Flow rate curves

