



Cartridge double-acting flow control valves PARALLEL BSPP THREADS

FT 264/2

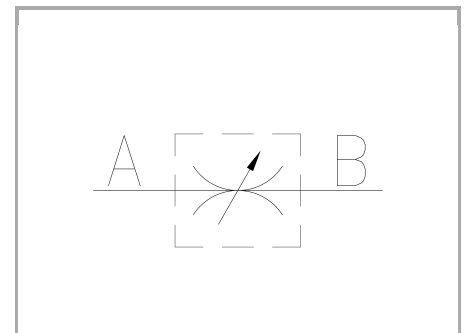
Double-acting flow control valves available from 1/8" to 3/4" size - BSPP THREADS. Max. working pressure 320 Bar, adjustable oil flow rate from 0,2 to 90 Lt./min. (depending on the size)

Double-acting control

No pressure compensated flow control

BSPP threads

Carbon steel



Technical information

Technical description

They allow for regulation of flow in both directions.

Materials

CORPO VALVOLA / BODY VALVE	Acciaio/Steel 11 S Mn Pb 37-UNI EN 10087
SPILLO DI REGOLAZIONE / ADJUSTING NEEDLE	Acciaio legato/Alloy Steel
GUARNIZIONI / GASKETS	Di serie NBR - A richiesta FPM/Standard NBR-on demand FPM
ANELLI ANTIESTRUSIONE / ANTIEXTRUSION RINGS	PTFE
MANOPOLA TIPO MA - RA / KNOB TYPE MA - RA	Alluminio/Aluminum GD AlSi12- UNI EN AB 46100
MANOPOLA TIPO MP / KNOB TYPE MP	ABS

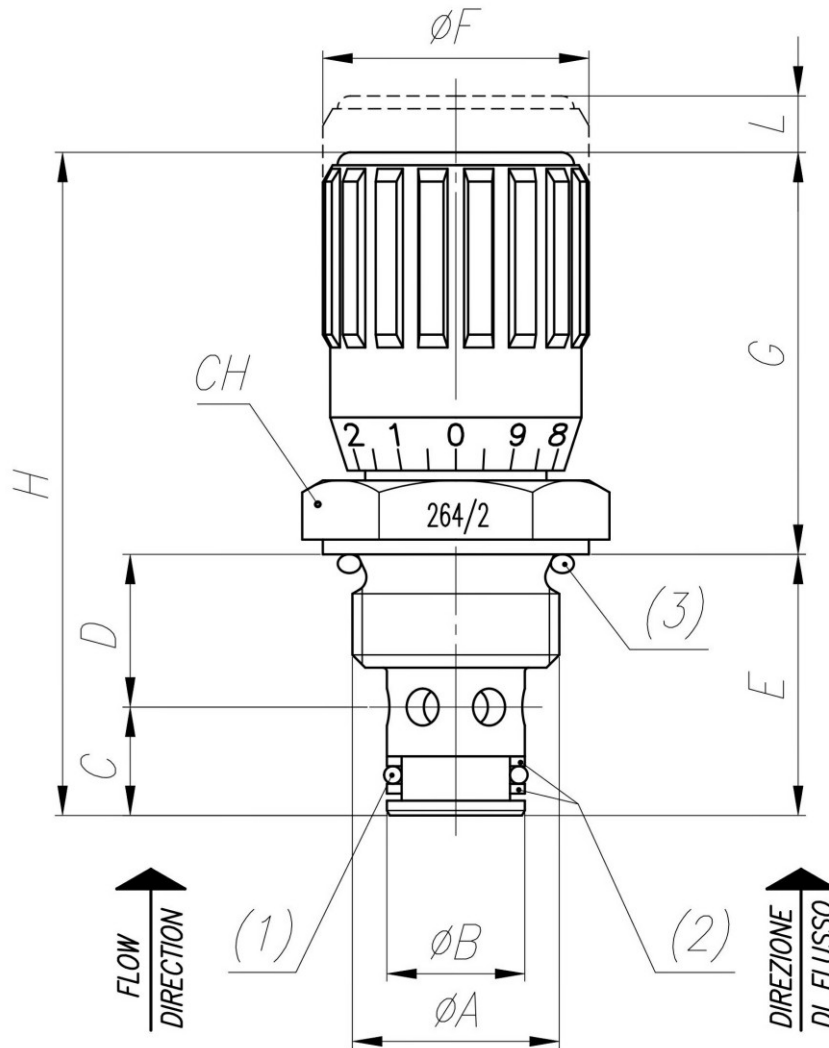
Technical data

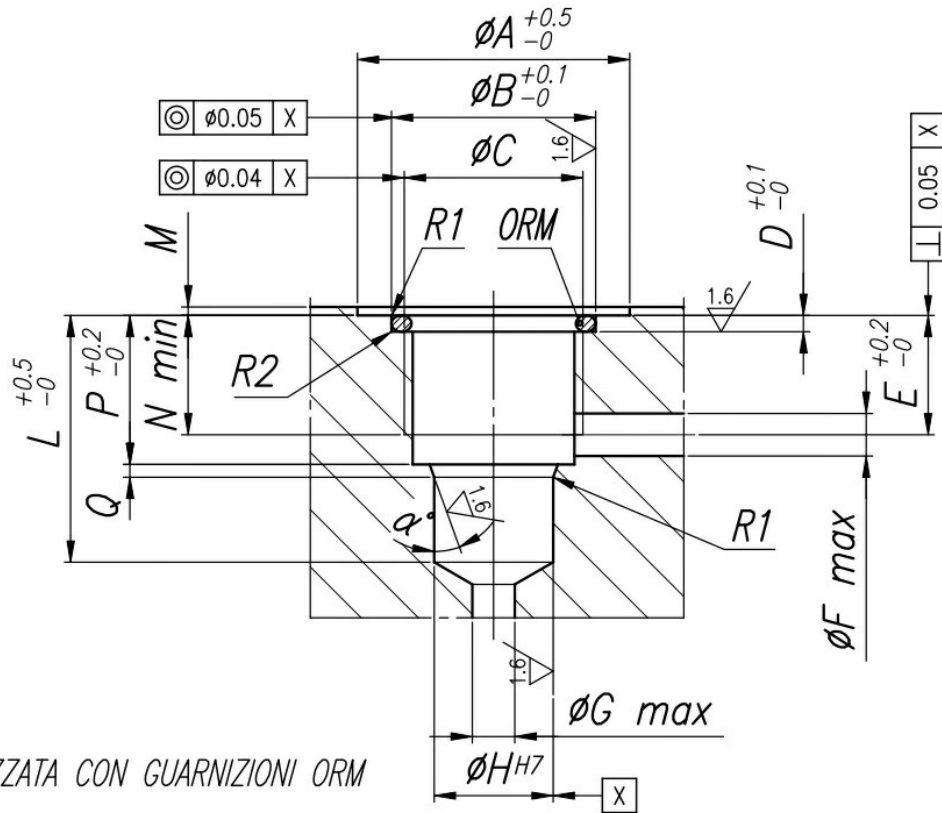
TIPO / TYPE	PRESSIONE ESERCIZIO BAR / WORKING PRESSURE BAR	MIN. PRESSIONE SCOPPIO BAR / MIN. BURSTING PRESSURE BAR	TEMPERATURA ESERCIZIO / WORKING TEMPERATURE	GRADO DI FILTRAZIONE µm / FILTRATION GRADE µm
18	320	1300	-20°C/+100°C	25
14	320	1300	-20°C/+100°C	25
38	320	1300	-20°C/+100°C	25
12	320	1300	-20°C/+100°C	25
34	320	1300	-20°C/+100°C	25



Dimensional tables and drawings

TIPO / TYPE	ØA	ØB	C	D	E	ØF	G	H	L	CH	(3)	PESO / WEIGHT KG
18	1/2" G	14	13	14	27	22	36,8	63,3	5,6	27	ORM 0180-25	0,106
14	1/2" G	14	11	16	27	27	40,8	67,3	4,9	27	ORM 0180-25	0,124
38	1/2" G	16	13	18	31	33	47	77,5	8,3	27	ORM 0180-25	0,179
12	3/4" G	19	16	25	40	38	54,6	94,6	9,9	32	ORM 0250-25	0,303
34	1" G	27	18	26	44	47	64,6	108,6	12	41	ORM 0300-25	0,567





TENUTA REALIZZATA CON GUARNIZIONI ORM

SEALING DONE WITH ORM GASKETS

	ORM	φA	φB	φC	D	E	φF	φG	φH	L	M	N	P	Q	R1	R2	α°
34	0300-30	47	36	1" Gas	2.4	24.5	12	12	27	46	1	21	30	1.5	0.1	0.75	70°
12	0250-25	37	30	3/4" Gas	1.9	24	10	10	19	42	1	21	29	1.5	0.1	0.75	70°
38	0180-25	32	24	1/2" Gas	1.9	16.5	8	8	16	33	1	14	20.5	1.5	0.1	0.75	70°
14	0180-25	32	24	1/2" Gas	1.9	14	5	5	14	29	1	14	17.5	1.5	0.1	0.75	70°
18	0180-25	32	24	1/2" Gas	1.9	14	5	5	14	29	1	14	17.5	1.5	0.1	0.75	70°



Flow rate curves

