



UNF Threads cartridge double-acting flow control valves " high rate "

FT 266/2

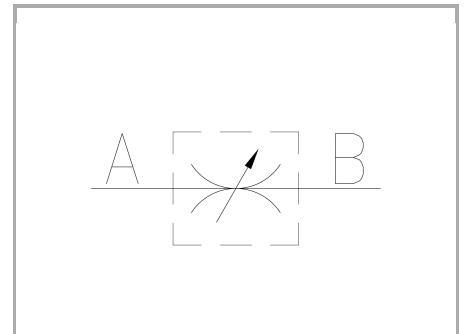
Double-acting flow control valves available from 3/4" to 7/8" size - UNF THREADS. Max working pressure 320 Bar, adjustable oil flow rate from 1 to 70 Lt./min. (depending on the size)

Double-acting control

No pressure compensated flow control

UNF threads

Carbon steel



Technical information

Technical description

They control a free flow in both directions.

Materials

CORPO / BODY	Acciaio/Steel 11 S Mn Pb 37-UNI EN 10087
SPILLO DI REGOLAZIONE / ADJUSTING NEEDLE	Acciaio legato/Alloy Steel
GUARNIZIONI / GASKETS	Di serie NBR - A richiesta FPM/Standard NBR-on demand FPM
ANELLI ANTIESTRUSIONE / ANTIEXTRUSION RINGS	PTFE
MANOPOLA TIPO MA - RA / KNOB TYPE MA - RA	Alluminio/Aluminum GD AISi12- UNI EN AB 46100
MANOPOLA TIPO MP / KNOB TYPE MP	ABS

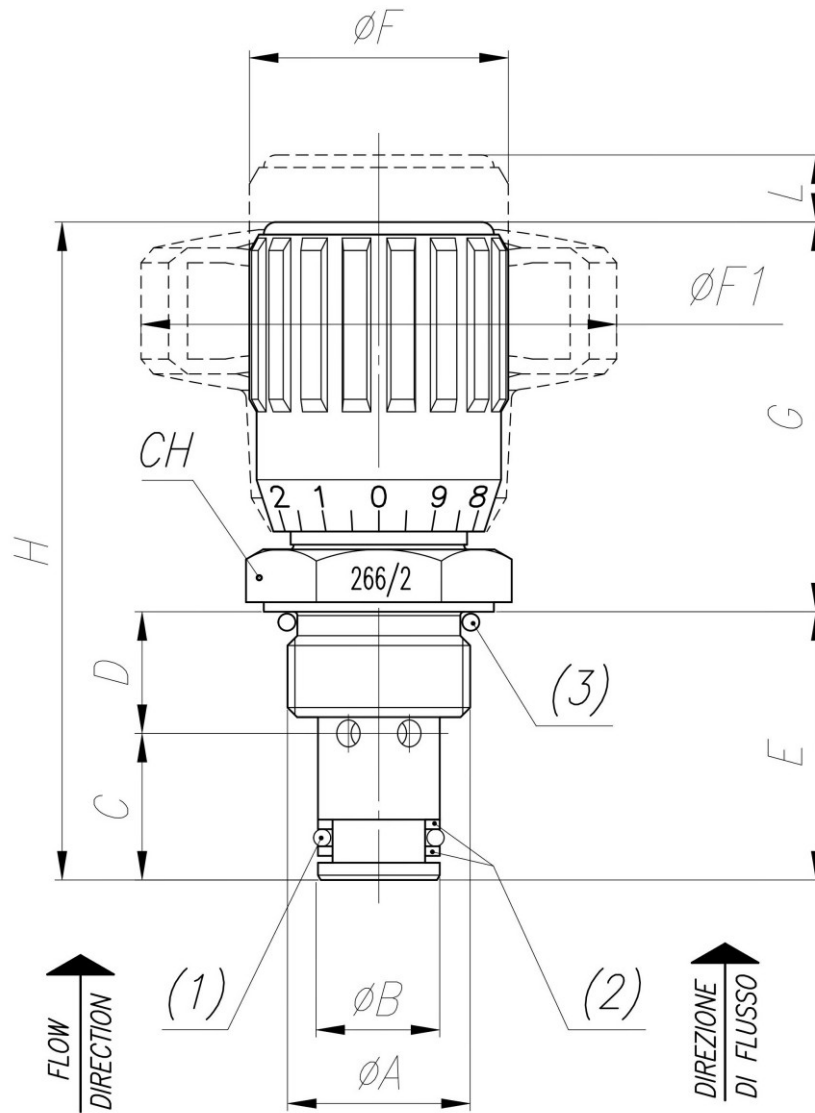
Technical data

TIPO / TYPE	PRESSIONE ESERCIZIO BAR / WORKING PRESSURE BAR	MIN. PRESSIONE SCOPPIO BAR / MIN. BURSTING PRESSURE BAR	TEMPERATURA ESERCIZIO / WORKING TEMPERATURE	GRADO DI FILTRAZIONE µm / FILTRATION GRADE µm
34	320	1300	-20°C/+100°C	25
78	320	1300	-20°C/+100°C	25



Dimensional tables and drawings

TIPO / TYPE	ØA UNI 4534	ØB	C	D	E	ØF	ØF1	G	H	L	CH	PESO / WEIGHT KG
34	3/4" -16 UNF	12,7	15,3	12,7	28	27	50	40,7	68,7	6	24	0,112
78	7/8" -14 UNF	15,8	17,5	15	32,5	33	70	46	78,5	8	27	0,115





Flow rate curves

