



## UNF Threads cartridge pressure compensated flow control valves

### FT 268/2

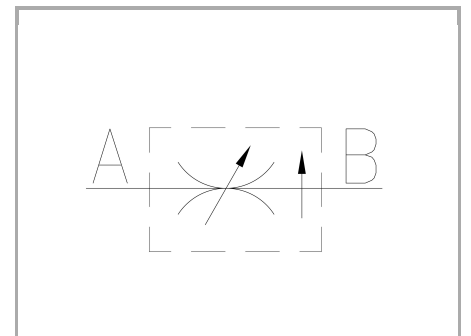
Compensated flow control valves available from 3/4" and 7/8" size - UNF THREADS. Max. working Pressure 320 Bar, adjustable oil flow rate from 5 to 35 Lt./min. (depending on the size)

**Double-acting control**

**Pressure compensated flow control**

**UNF threads**

**Carbon steel**



## Technical information

### Technical description

Pressure compensated flow control valves, to insert in modular units in line. The construction and functional characteristics reflect exactly those described for the two inlet valves. It is recommended to keep them in their protective wrapping until the mounting, in order to avoid possible drawbacks caused by eventual entry of particles into the delicate and essential parts for a good working. On page 100 is proposed a machining scheme for the embedding seat, which has to be observed to ensure the necessary accuracy of the valve.

### Materials

CORPO / BODY	Acciaio/Steel 11 S Mn Pb 37-UNI EN 10087
SPILO DI REGOLAZIONE / ADJUSTING NEEDLE	Acciaio legato/Alloy Steel
GUARNIZIONI / GASKETS	Di serie NBR - A richiesta FPM/Standard NBR-on demand FPM
ANELLI ANTIESTRUSIONE / ANTIEXTRUSION RINGS	PTFE
MANOPOLA TIPO MA / KNOB TYPE MA	Alluminio/Aluminum GD AISi12- UNI EN AB 46100

### Technical data

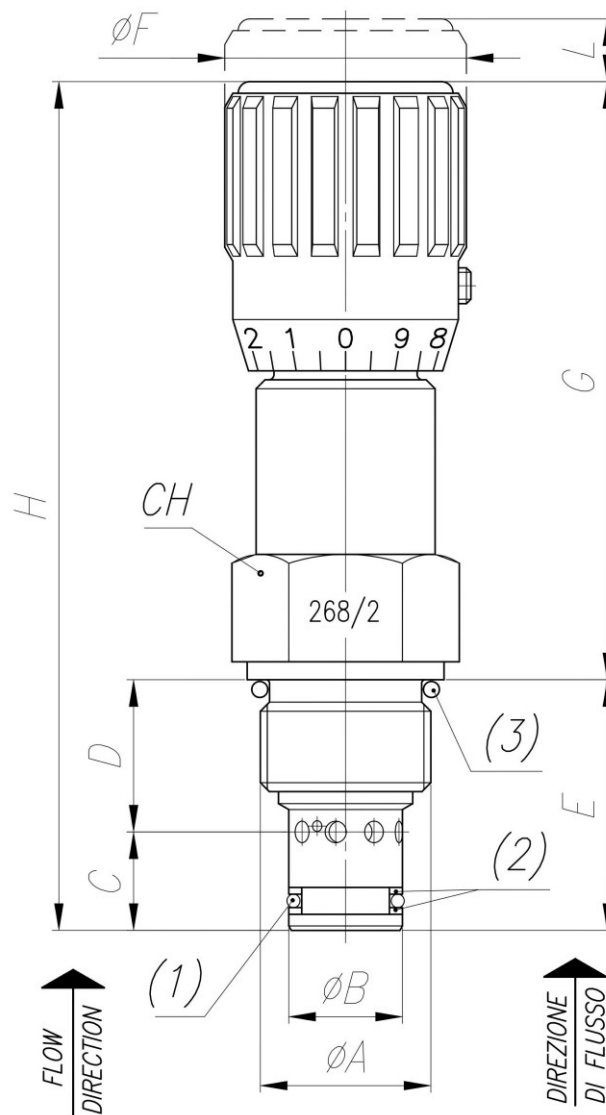
TIPO / TYPE	PRESSIONE ESERCIZIO BAR / WORKING PRESSURE BAR	MIN. PRESSIONE SCOPPIO BAR / MIN. BURSTING PRESSURE BAR	TEMPERATURA ESERCIZIO / WORKING TEMPERATURE	GRADO DI FILTRAZIONE µm / FILTRATION GRADE µm
34	320	1300	-20°C/+100°C	25
78	320	1300	-20°C/+100°C	25

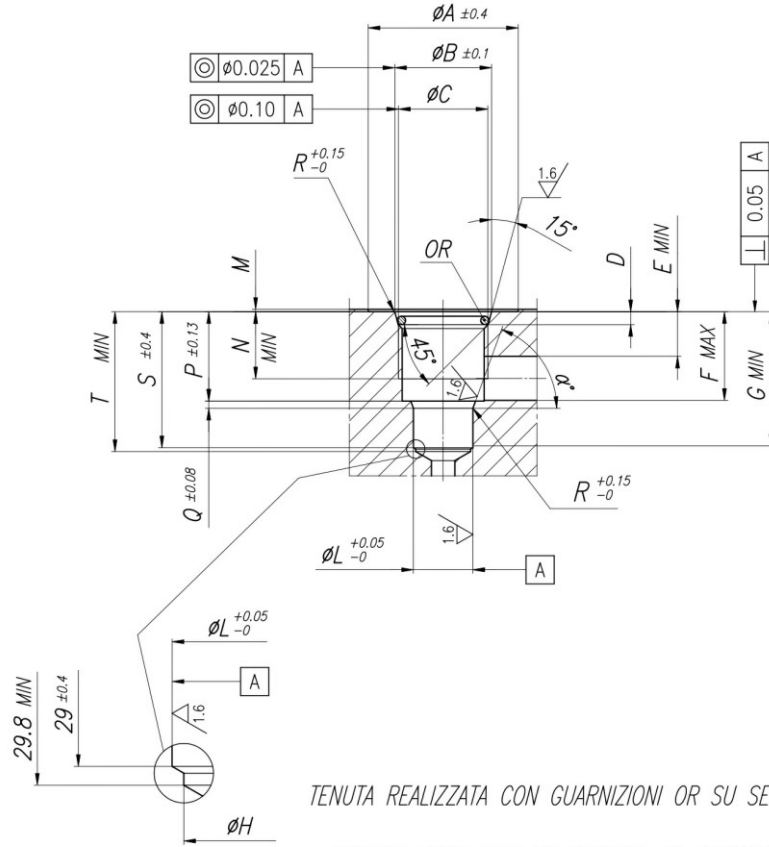


## Dimensional tables and drawings

TIPO / TYPE	Ø A UNI 4534	ØB	C	D	E	ØF	G
34	3/4" -16 UNF	12,6	11	17	28	27	61
78	7/8" -14 UNF	15,8	11,7	20,8	32,5	33	69,5

TIPO / TYPE	H	L	CH	(1)	(2)	(3)	PESO / WEIGHT KG
34	89	7,5	22	2037	266/6.022.00-34	2068	0,159
78	102	10,5	27	2050	266/6.022.00-78	3075	0,290





TENUTA REALIZZATA CON GUARNIZIONI OR SU SEDE CONICA  
SEALING DONE WITH OR GASKETS ON CONICAL SEATING

	øA	øB	C UNI 4534	D	E	F	G	øH	øL	M	N	P	Q	R	S	T	α°	OR
34	32	20.65	3/4"	2.75	9.5	18.9	28.6	11.7	12.7	0.5	14.3	19.05	1.53	0.1	29	29.8	70	2068
78	32	24	7/8"	2.75	12.35	24.25	31.85	15	15.875	0.5	15.75	24.45	1.4	0.1	33.75	34.5	60	3075



## Flow rate curves

