



METRIC Threads cartridge pressure compensated flow control valves

FT 287/2

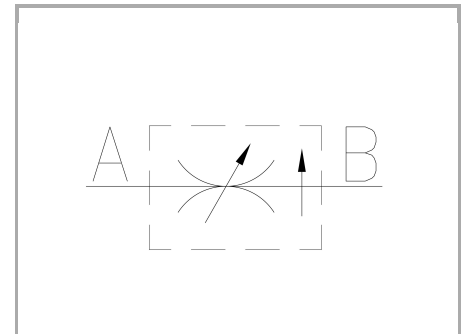
Compensated flow control valves available from 1/4" to 3/4" size - METRIC THREADS. Max. working Pressure 320 Bar, adjustable oil flow rate from 5 to 70 Lt./min. (depending on the size)

Double-acting control

Pressure compensated flow control

METRIC threads

Carbon steel



Technical information

Technical description

Pressure compensated flow control valves, to insert in modular units in line. They are essentially composed of the central body of valves series FT 277/2 which may be screwed in units preset by the user. The construction and functional characteristics reflect exactly those described for the two inlet valves. It is recommended to keep them in their protective wrapping until the mounting, in order to avoid possible drawbacks caused by eventual entry of particles into the delicate and essential parts for a good working. On page 94 is proposed a machining scheme for the embedding seat, which has to be observed to ensure the necessary accuracy of the valve. The constructive system allows the user, already provided with those versions, either to request the two inlet base bodies only, so as to allow their quick transformation, or to store the single standard components to assemble in the various types according to the need.

Materials

CORPO BASE / BASE BODY	Acciaio/Steel 11 S Mn Pb 37-UNI EN 10087
GRUPPO DI COMPENSAZIONE / COMPENSATING UNIT	Acciaio/Steel 39 Ni Cr Mo 3-UNI EN 10083
GUARNIZIONI / GASKETS	Di serie NBR - A richiesta FPM/Standard NBR-on demand FPM
ANELLI ANTIESTRUSIONE / ANTIEXTRUSION RINGS	PTFE
MANOPOLA TIPO MA / KNOB TYPE MA	Alluminio/Aluminum GD AlSi12- UNI EN AB 46100

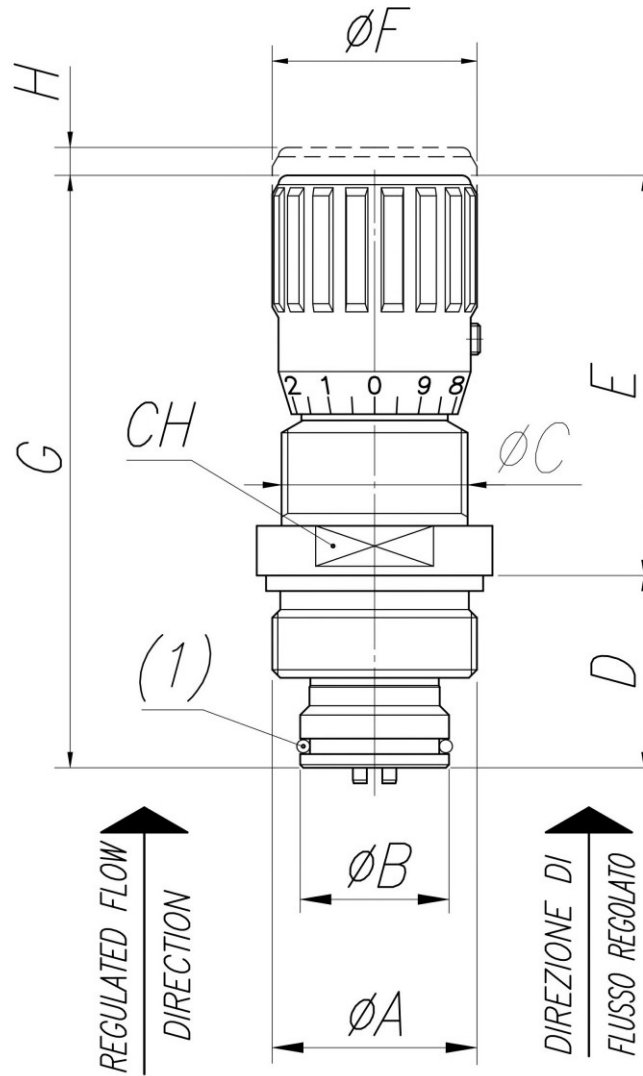


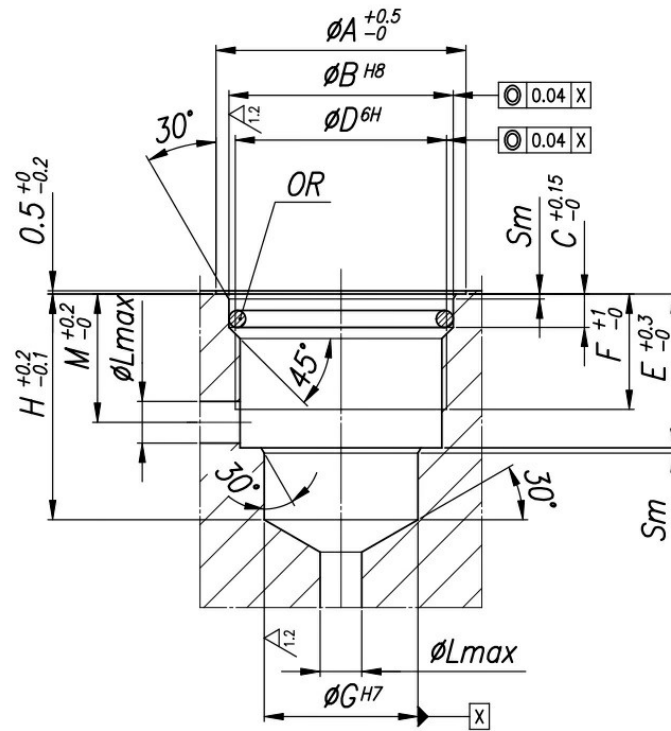
Technical data

TIPO / TYPE	PRESSIONE ESERCIZIO BAR / WORKING PRESSURE BAR	MIN. ΔP DI FUNZIONAMENTO BAR / MIN. WORKING ΔP BAR	TEMPERATURA ESERCIZIO / WORKING TEMPERATURE	GRADO DI FILTRAZIONE μm / FILTRATION GRADE μm
14	320	7,5	-20°C/+70°C	25
38	320	10	-20°C/+70°C	25
12	320	12	-20°C/+70°C	25
34	320	15	-20°C/+70°C	25

Dimensional tables and drawings

TIPO / TYPE	ØA UNI 4534	ØB	ØC	D	E	ØF	G	H	CH	(1) OR	PESO / WEIGHT KG
14	M33x1,5	24	M30x1,5	31	64,5	33	95,5	4,5	32	2081	0,350
38	M39x1,5	30	M35x1,5	34,5	82	38	116,5	6	38	2106	0,580
12	M48x2	35	M30x1,5	42	92,5	47	134,5	6,5	45	3118	0,960
34	M55x2	40	M50x1,5	49	115	58	164	7,5	55	3137	1,700



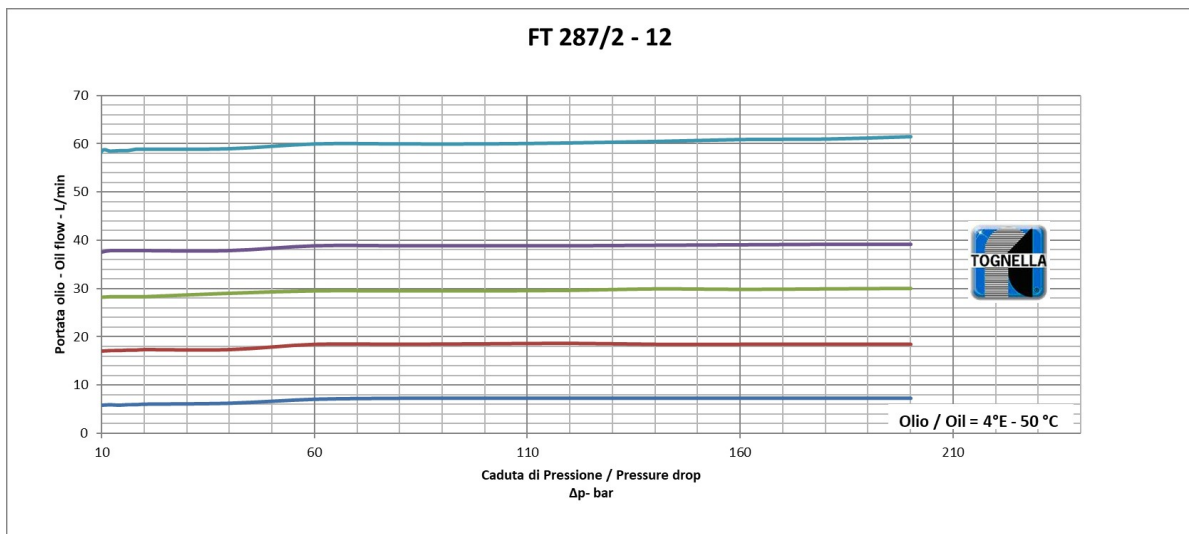
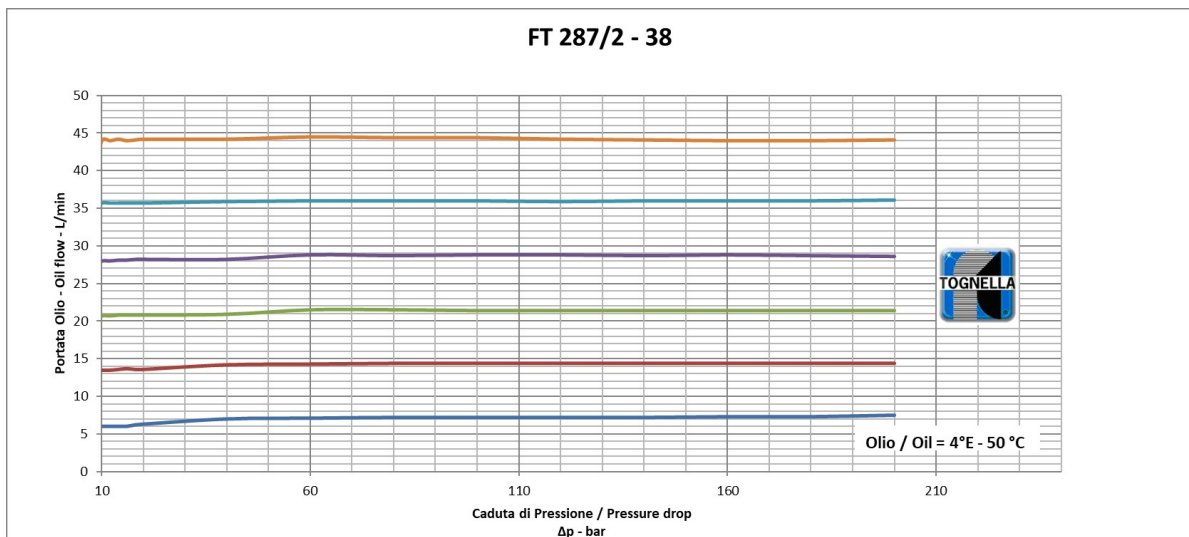
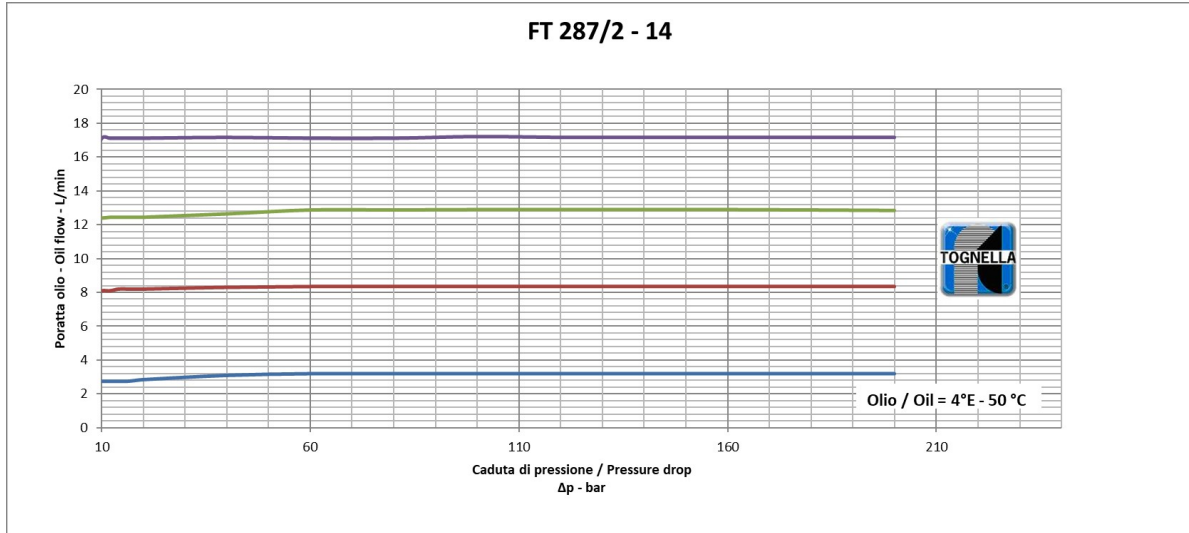


TENUTA REALIZZATA CON GUARNIZIONI OR SU SEDE CONICA
SEALING DONE WITH OR GASKETS ON CONICAL SEATING

	ϕA <small>UNI 4535</small>	ϕB	C	ϕD	E	F	ϕG	H	ϕL	M	Sm	OR
14	39	35	5.2	M33x1.5	24	18	24	35.2	6.5	20	0.8	3118
38	44	40.5	5.2	M39x1.5	27.5	19	30	40	9	22.5	0.8	3143
12	53	49	6.5	M48x2	33.5	23.5	35	49	11	27.5	0.8	3175
34	63	58	7	M55x2	40	27	40	57	13.5	32.5	1	155

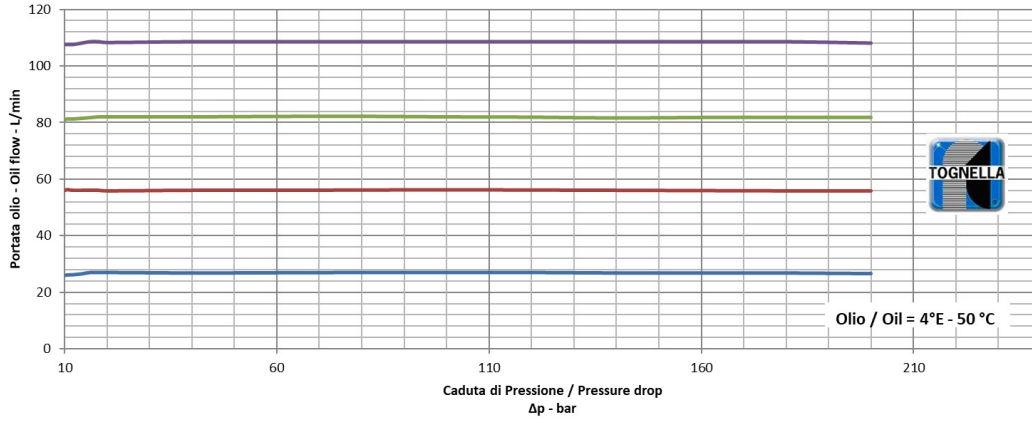


Flow rate curves





FT 287/2 - 34



FT 287/2

