



UNF Threads cartridge single-acting flow control valves

FT 266/5

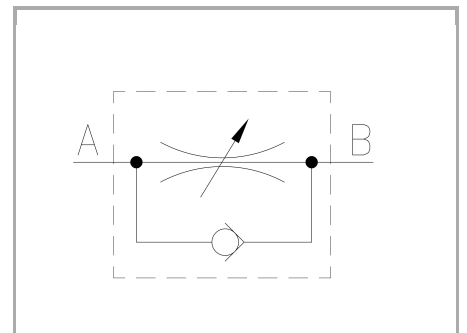
Single-acting flow control valves available from 3/4" to 7/8" size - UNF THREADS. Max. working pressure 320 Bar, adjustable oil flow rate from 1 to 70 Lt./min. (depending on the size)

Single-acting control

No pressure compensated flow control

UNF threads

Carbon steel



Technical information

Technical description

They control and eventually shut-off the flow in one direction, allowing a free return in the opposed direction.

Materials

CORPO / BODY	Acciaio/Steel 11 S Mn Pb 37-UNI EN 10087
SPILLO DI REGOLAZIONE / ADJUSTING NEEDLE	Acciaio legato/Alloy Steel
GUARNIZIONI / GASKETS	Di serie NBR - A richiesta FPM/Standard NBR-on demand FPM
VALVOLA DI RITEGNO / CHECK VALVE	Acciaio/Steel 39 Ni Cr Mo 3-UNI EN 10083
MOLLA / SPRING	Acciaio/Steel C 85-UNI EN 10089
ANELLI ANTIESTRUSIONE / ANTIEXTRUSION RINGS	PTFE
MANOPOLA TIPO MA - RA / KNOB TYPE MA - RA	Alluminio/Aluminum GD AlSi12- UNI EN AB 46100
MANOPOLA TIPO MP / KNOB TYPE MP	ABS

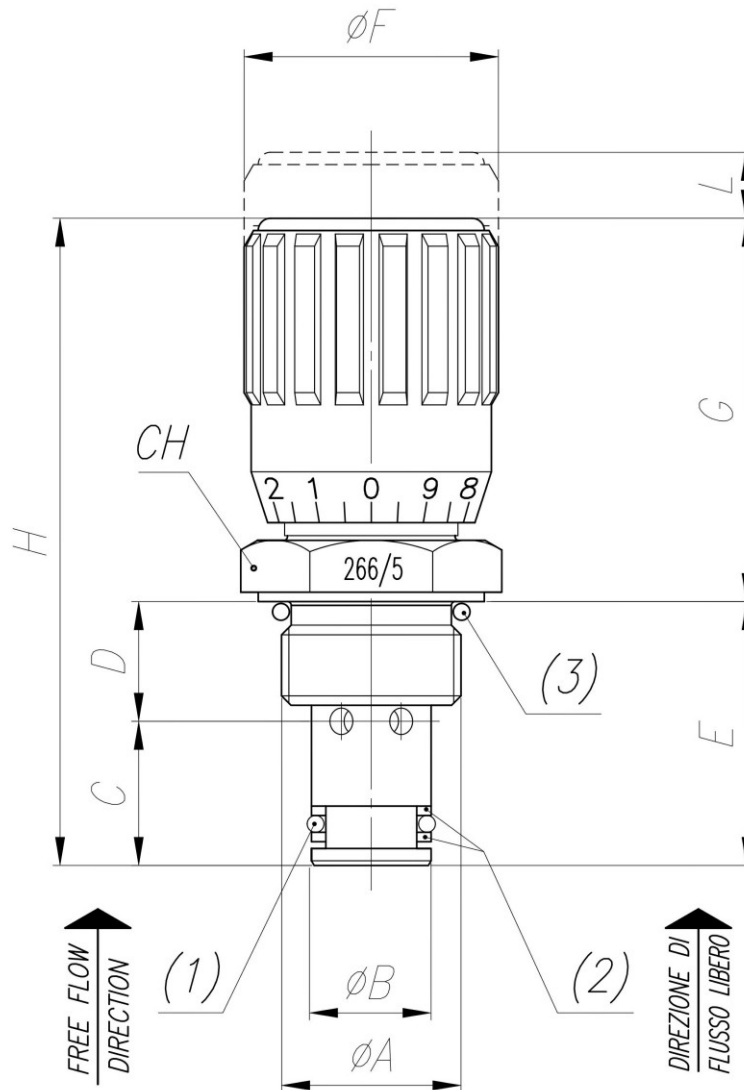
Technical data

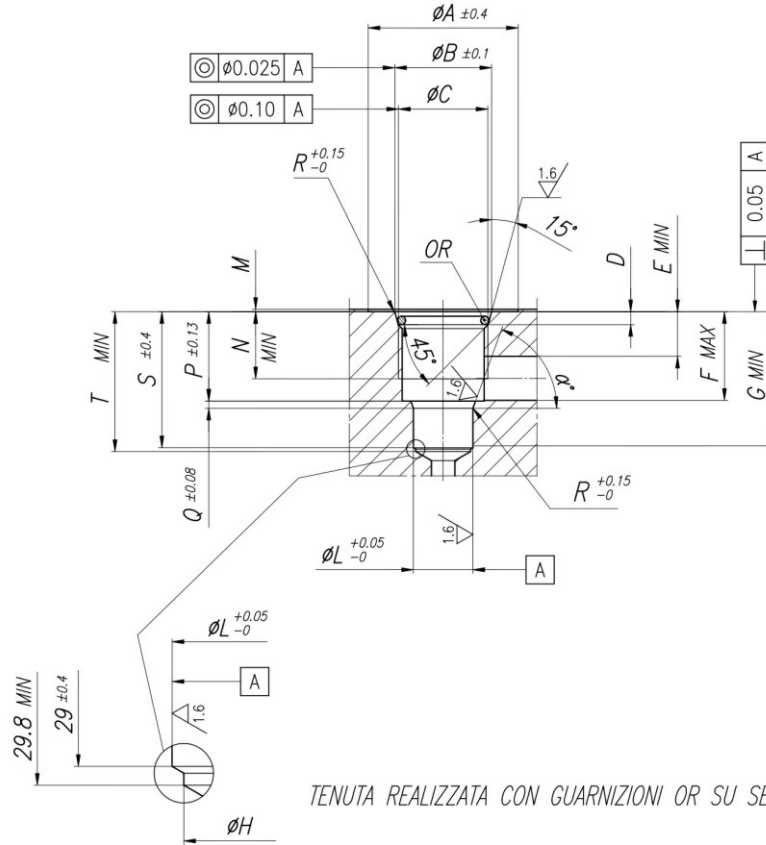
TIPO / TYPE	PRESSIONE ESERCIZIO BAR / WORKING PRESSURE BAR	MIN. PRESSIONE SCOPPIO BAR / MIN. BURSTING PRESSURE BAR	TEMPERATURA ESERCIZIO / WORKING TEMPERATURE	GRADO DI FILTRAZIONE µm / FILTRATION GRADE µm
34	320	1300	-20°C/+100°C	25
78	320	1300	-20°C/+100°C	25



Dimensional tables and drawings

TIPO / TYPE	ØA UNI 4534	ØB	C	D	E	ØF	G	H	L	CH	PESO / WEIGHT KG
34	3/4" -16 UNF	12,7	15,3	12,7	28	27	40,7	68,7	6	24	0,112
78	7/8" -14 UNF	15,8	17,5	15	32,5	33	46	78,5	8	27	0,115



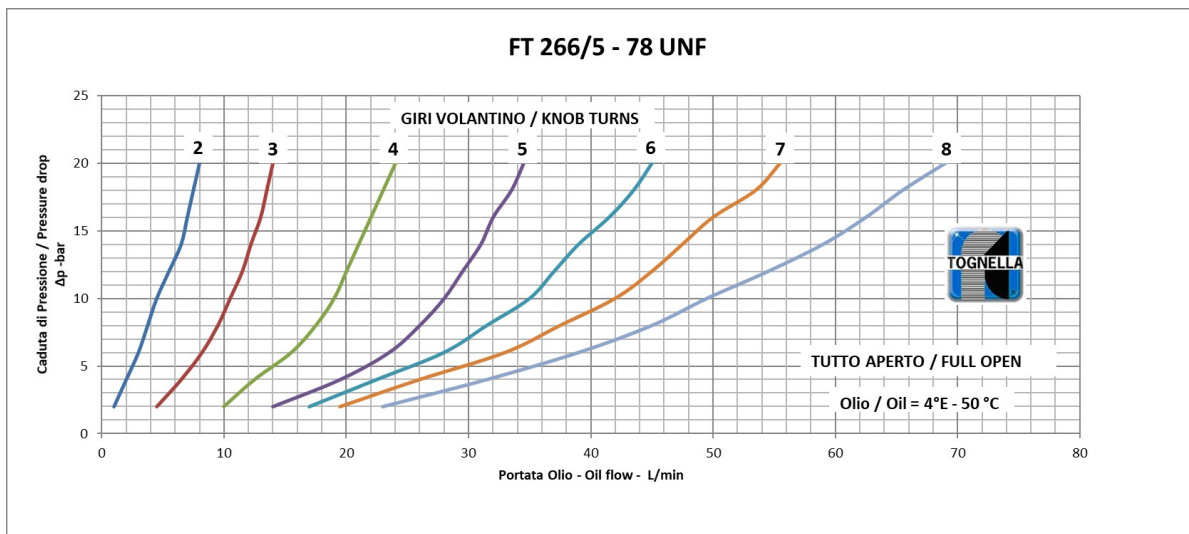
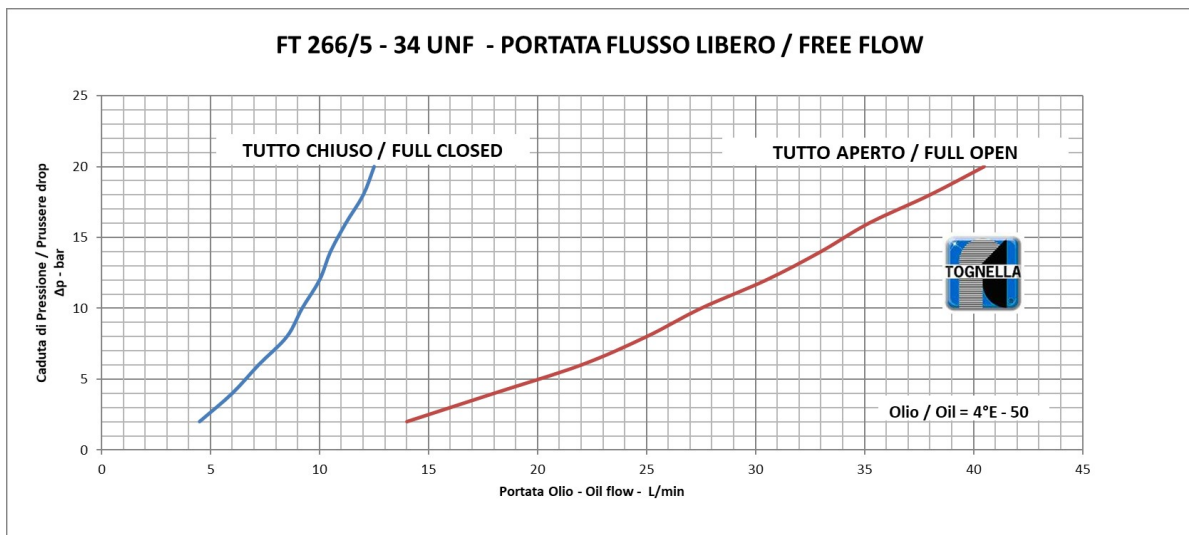
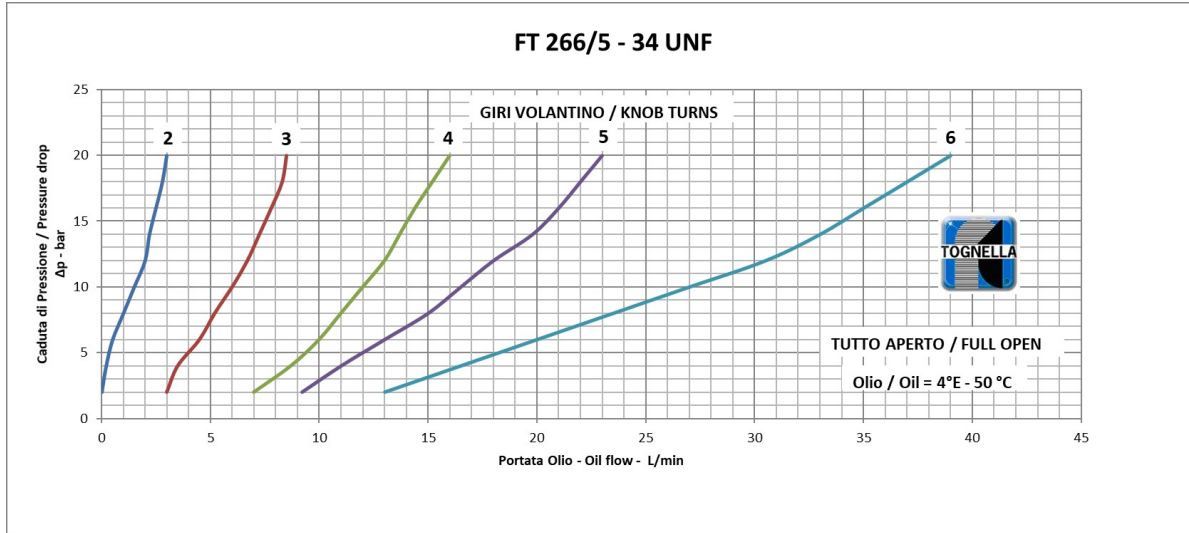


TENUTA REALIZZATA CON GUARNIZIONI OR SU SEDE CONICA
SEALING DONE WITH OR GASKETS ON CONICAL SEATING

	øA	øB	C UNI 4534	D	E	F	G	øH	øL	M	N	P	Q	R	S	T	α°	OR
34	32	20.65	3/4"	2.75	9.5	18.9	28.6	11.7	12.7	0.5	14.3	19.05	1.53	0.1	29	29.8	70	2068
78	32	24	7/8"	2.75	12.35	24.25	31.85	15	15.875	0.5	15.75	24.45	1.4	0.1	33.75	34.5	60	3075



Flow rate curves





FT 266/5 - 78 - UNF - PORTATA FLUSSO LIBERO / FREE FLOW

