



Microfine cartridge double-acting flow control valves

FT 2247/2

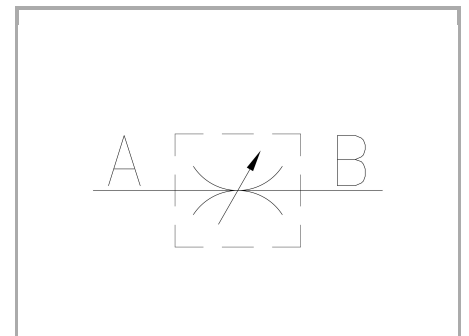
Double-acting flow control valves available only in 1/8" size. Max. working pressure 210 Bar, adjustable oil flow rate from 0,05 to 2,5 Lt./min. - METRIC THREADS

Double-acting control

Microfine regulation

METRIC threads

Stainless Steel AISI 316



Technical information

Technical description

Appreciated for their little sizes, suitable for their placing in control blocks. For both oleo-dynamic-pneumatic applications with flow rate up to max 3 l/min. they can be used with fluids different from oil, such as: gas and liquid in general. They have maintained the other characteristics of the series FT 2250; they ensure: • efficient metallic sealing • mechanical secure against accidental needle withdrawal

Materials

CORPO / BODY	Acciaio INOX /Stainless Steel AISI 316
SPILO DI REGOLAZIONE / ADJUSTING NEEDLE	Acciaio INOX /Stainless Steel AISI 630
GUARNIZIONI / GASKETS	FPM
ANELLI ANTIESTRUSIONE / ANTI-EXTRUSION RINGS	PTFE
MANOPOLA TIPO MA - RA / KNOB TYPE MA - RA	Alluminio / Aluminium GD AISI12 - UNI EN AB 46100
MANOPOLA TIPO MP / KNOB TYPE MP	ABS

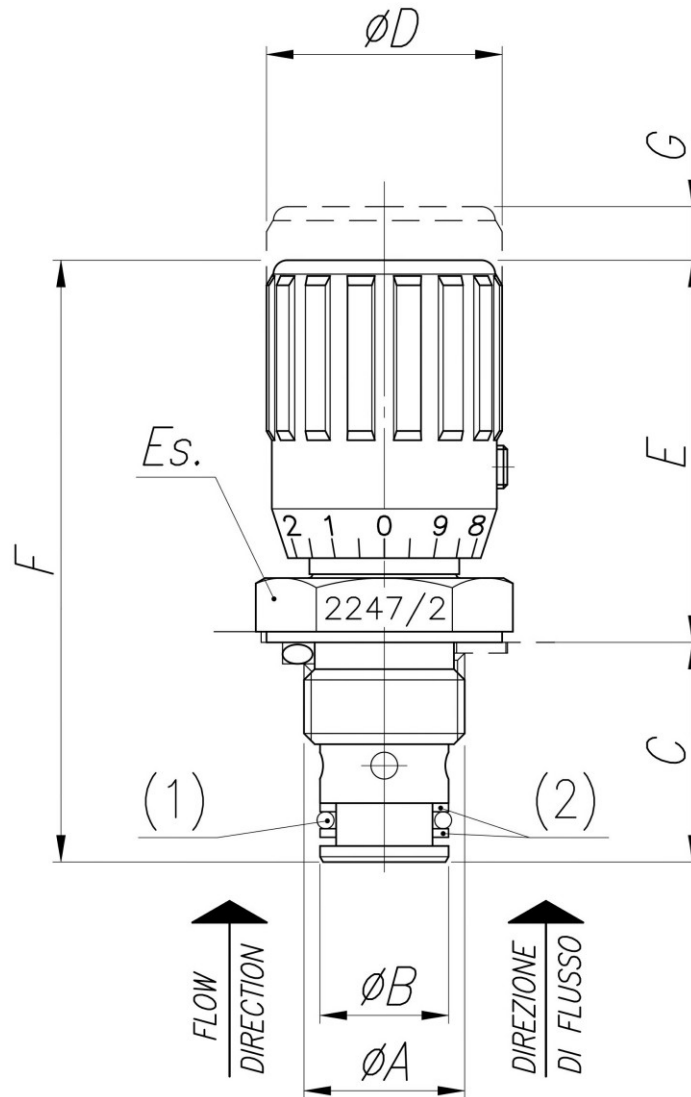
Technical data

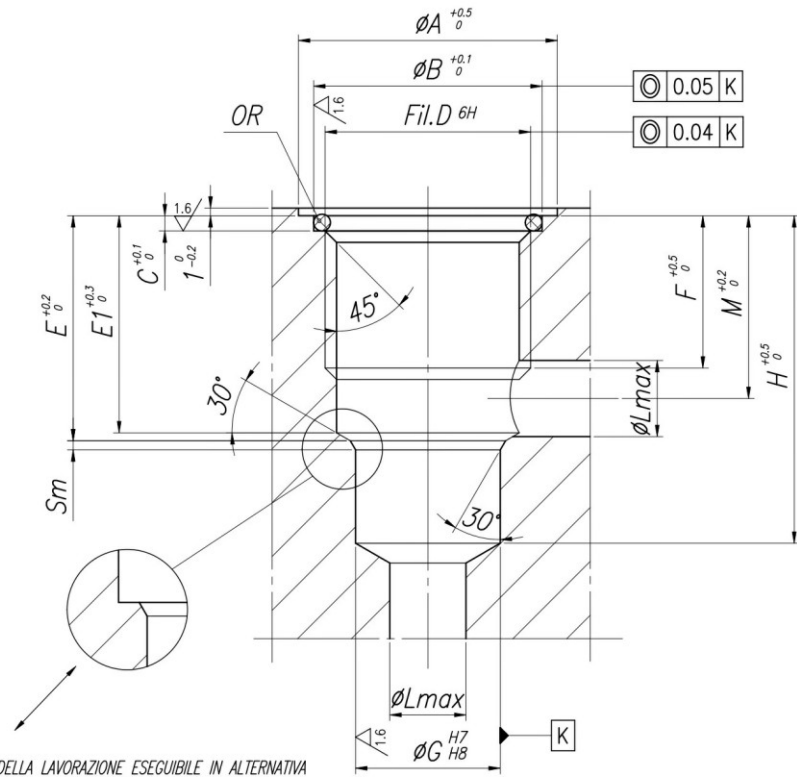
TIPO / TYPE	PRESSIONE ESERCIZIO BAR / WORKING PRESSURE BAR	MIN. PRESSIONE SCOPPIO BAR / MIN. BURSTING PRESSURE BAR	TEMPERATURA ESERCIZIO / WORKING TEMPERATURE	GRADO DI FILTRAZIONE µm / FILTRATION GRADE µm
18	210	1300	-20°C/+130°C	25



Dimensional tables and drawings

TIPO / TYPE	A UNI 4534	ϕB	C	ϕD	E	F	G	Es.	(1) OR	(2) BK	PESO / WEIGHT KG
18	M15x1	12	20,5	22	35	55,5	5	22	108	108	0,069



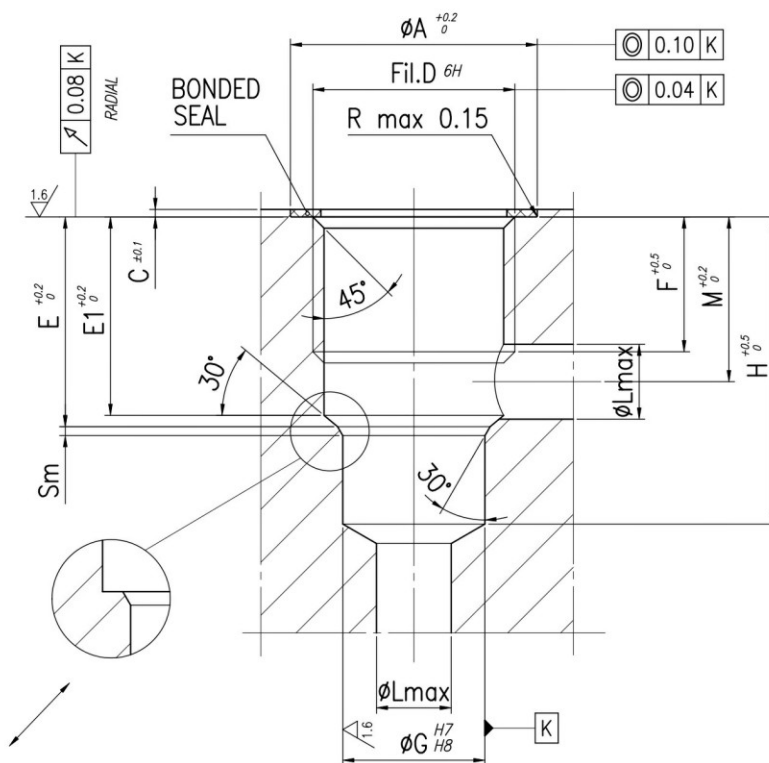


-PARTICOLARE DELLA LAVORAZIONE ESEGUIBILE IN ALTERNATIVA A QUELLA CONICA ELIMINANDO LA QUOTA E1

-DETAIL OF THE MACHINING THAT CAN BE CARRIED OUT AS AN ALTERNATIVE TO THE CONICAL ONE ELIMINATING THE DIMENSION E1

TENUTA REALIZZATA CON GUARNIZIONI OR SU SEDE PIANA
SEALING DONE WITH OR GASKETS ON FLAT SEATING

	ϕA	ϕB	C	D UNI 4534	E	E1	F	ϕG	H	ϕL	M	Sm	OR
18	23	19	2	M15x1	14	13	11	12	21.5	4	11.5	0.5	3056



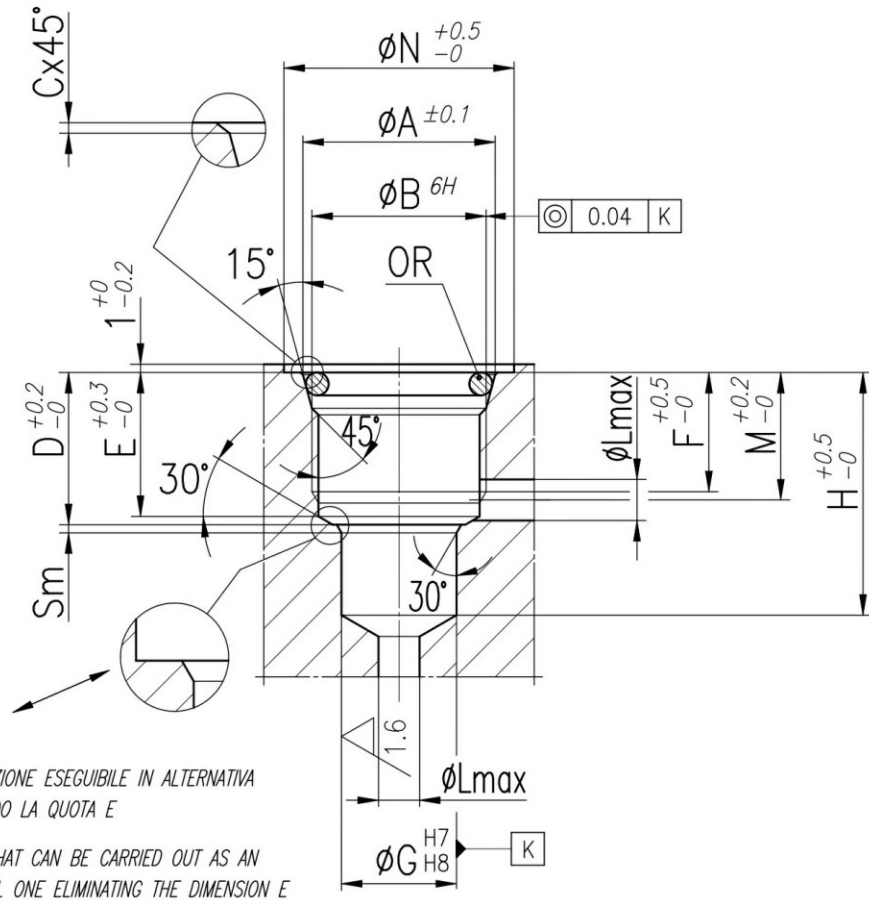
-PARTICOLARE DELLA LAVORAZIONE ESEGUIBILE IN ALTERNATIVA
A QUELLA CONICA ELIMINANDO LA QUOTA E1

-DETAIL OF THE MACHINING THAT CAN BE CARRIED OUT AS AN
ALTERNATIVE TO THE CONICAL ONE ELIMINATING THE DIMENSION E1

TENUTA REALIZZATA CON BONDED SEAL

SEALING DONE WITH BONDED SEALS

	ϕA	C	D <small>UNI 4534</small>	E	E1	F	ϕG	H	ϕL	M	S_m	BONDED SEAL
18	23	1	M15x1	13	12	9	12	20	4	10.3	0.5	400-512



-PARTICOLARE DELLA LAVORAZIONE ESEGUIBILE IN ALTERNATIVA A QUELLA CONICA ELIMINANDO LA QUOTA E
 -DETAIL OF THE MACHINING THAT CAN BE CARRIED OUT AS AN ALTERNATIVE TO THE CONICAL ONE ELIMINATING THE DIMENSION E

TENUTA REALIZZATA CON GUARNIZIONI OR SU SEDE CONICA
 SEALING DONE WITH OR GASKETS ON CONICAL SEATING

	φA	φB UNI 4534	C	D	E	F	φG	H	φL	M	φN	Sm	OR
18	16.5	M15x1	0.25	14	13	11	12	21.5	4	11.5	23	0.5	2050



Flow rate curves

