



Plate Microfine PRESSURE COMPENSATED double-acting flow control valves

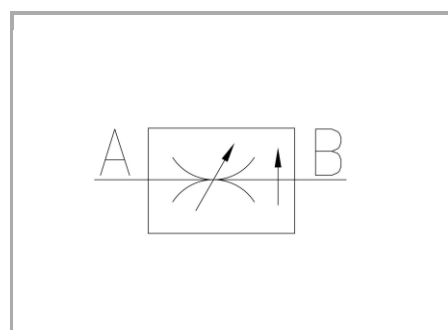
FT 288/2

Compensated double-acting flow control valves available in sizes 03 and 60. Max. working pressure 250 Bar, adjustable oil flow rate from 0,2 to 2,5 Lt./min.

Plate mounted valves

Pressure compensated double-acting control

Carbon steel



Technical information

Technical description

They are the equivalent version with plate mounting of the control valve series FT 297/2 with threaded cartridge. Suitable for the adjustment of low flow rate with a high precision and stability. They are provided with plate connections mod. CETOP 03 or interchangeable with the widely used valves (kind 60). Connection O-rings are equipped in series. Max. working pressure 250 bar.

Materials

CORPO VALVOLA / BODY VALVE	Acciaio/Steel 11 S Mn Pb 37-UNI EN 10087
ORGANI DI REGOLAZIONE / ADJUSTING COMPONENTS	Acciaio/Steel 35 S Mn Pb 10-UNI EN 10087
PISTONE COMPENSATORE / COMPENSATION PISTON	Acciaio/Steel 39 Ni Cr Mo 3-UNI EN 10083
GUARNIZIONI / GASKETS	Di serie NBR - A richiesta FPM/Standard NBR-on demand FPM
ANELLI ANTIESTRUSIONE / ANTIEXTRUSION RINGS	PTFE
MANOPOLA TIPO MA / KNOB TYPE MA	Alluminio/Aluminum GD AlSi12- UNI EN AB 46100

Technical data

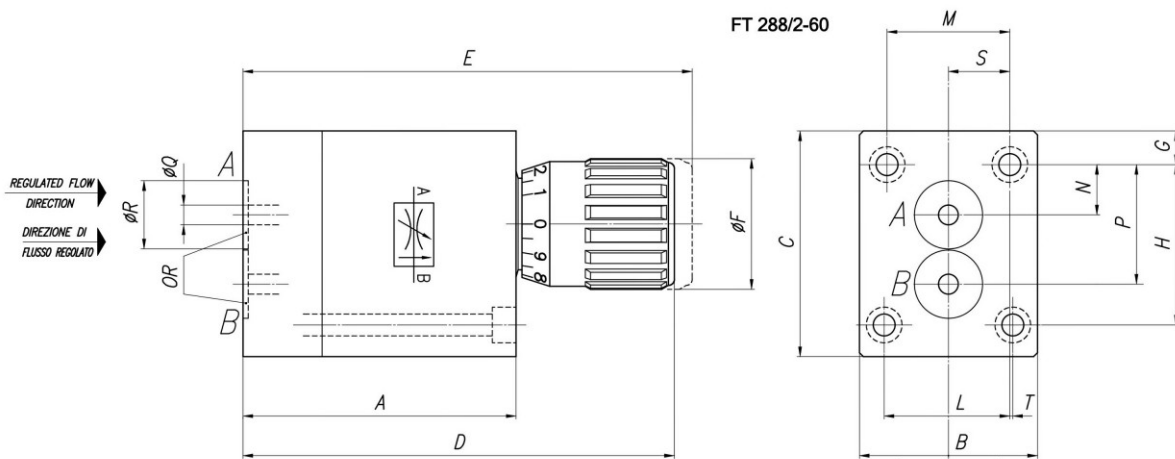
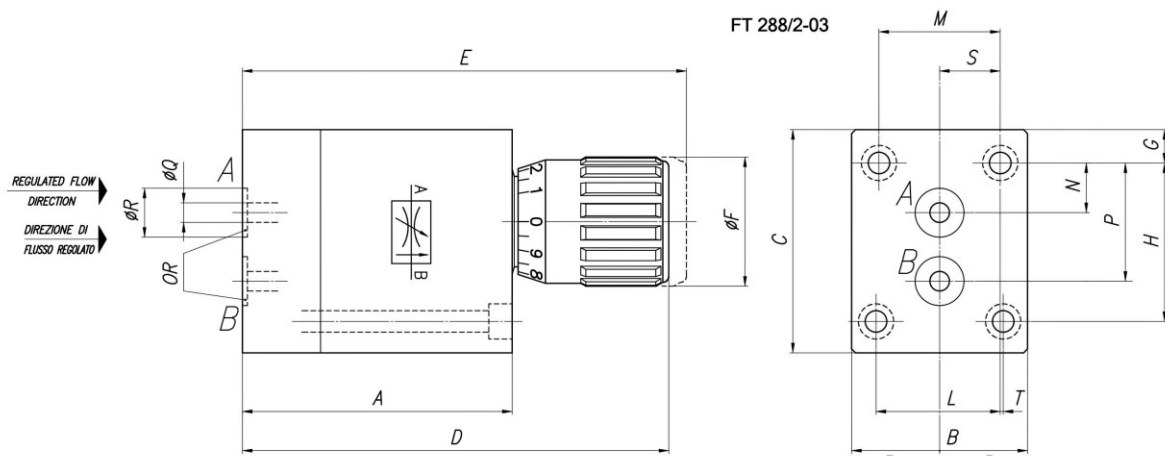
TIPO / TYPE	PRESSIONE ESERCIZIO BAR / WORKING PRESSURE BAR	TEMPERATURA ESERCIZIO / WORKING TEMPERATURE	GRADO DI FILTRAZIONE µm / FILTRATION GRADE µm
03	250	-20°C/+100°C	25
60	250	-20°C/+100°C	25



Dimensional tables and drawings

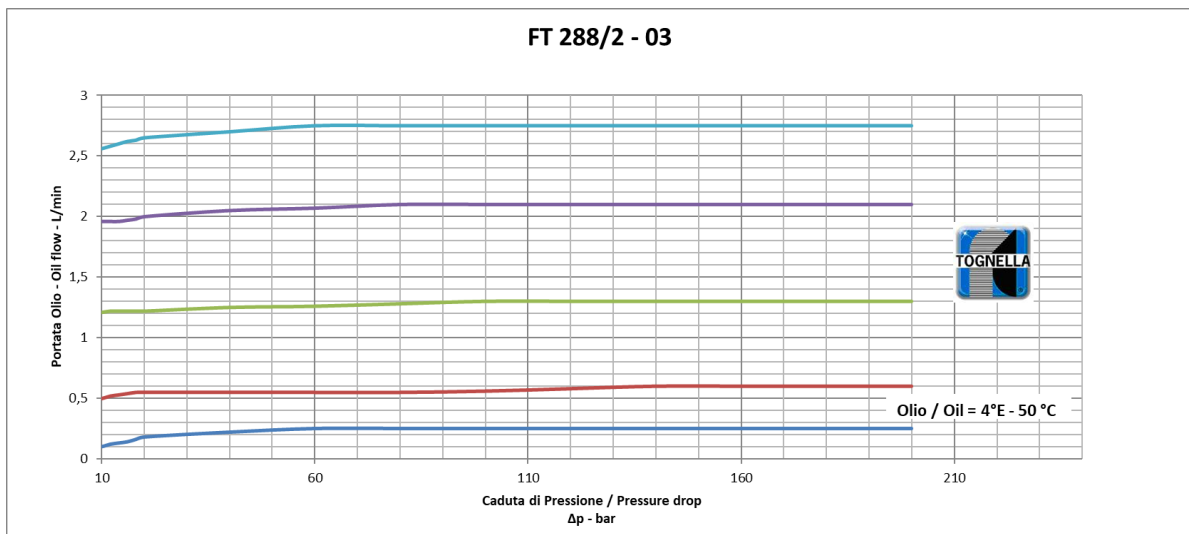
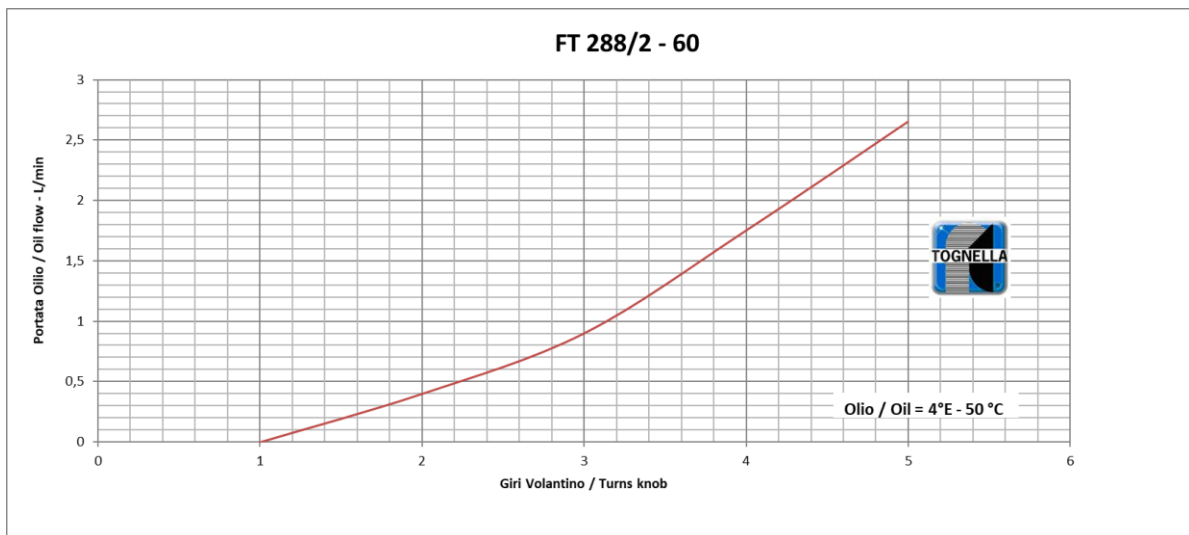
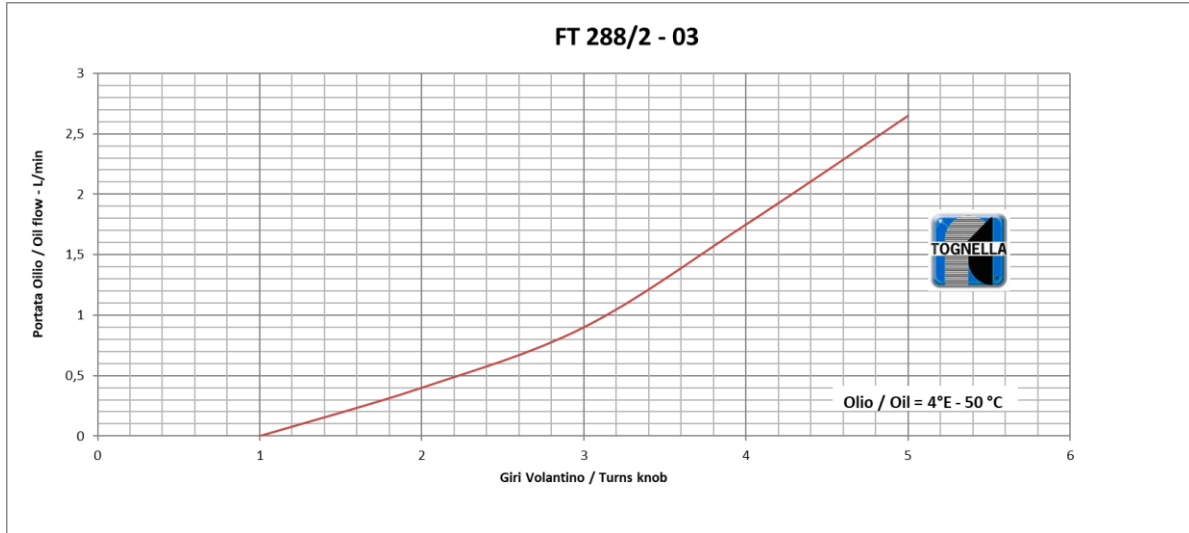
TIPO / TYPE	A	B	C	D	E	ØF	G	H	L	M
03	69	45	57	109	113,5	33	8,5	40,5	31,75	31
60	69	45	57	109	113,5	33	8,5	40,5	31,75	31

TIPO / TYPE	N	P	ØQ	ØR	S	T	OR	VITI / SCREWS	PESO / WEIGHT KG
03	12,7	30,5	5	12,5	15,5	0,75	2037	M5x75	1,300
60	10	33	6	17,2	15,5	0,75	2056	M5x75	1,300





Flow rate curves





FT 288/2 - 60

