



## UNF carbon steel threaded cartridge check valves

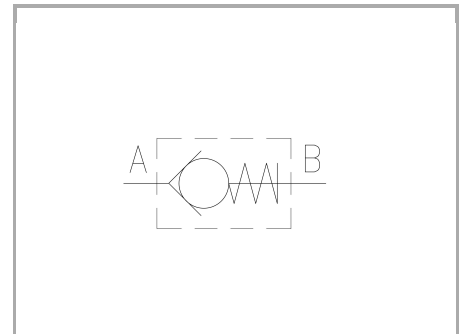
### FT 266/6

Cartridge check valves available from 3/4" to 7/8" size - UNF THREADS. Max. working pressure 320 Bar, oil flow rate up to 70 Lt./min. (depending on the size)

**Cartridge mounted**

**Direct control**

**Carbon steel**



## Technical information

### Technical description

The valve, assembled into an hydraulic circuit, permits the free flos in a single direction blocking the passage in the opposite one. The valve consists of a body with UNF metric cartridge, a valve with ball metallic sealing. The valve is available with cracking pressure 0,35 bar ( 4,5 bar on request ).

### Materials

CORPO VALVOLA / BODY VALVE	Acciaio/Steel 11 S Mn Pb 37-UNI EN 10087
MOLLA / SPRING	Acciaio/Steel AISI 302
SFERA / BALL	Acciaio/Steel -UNI 100 C 6
GUIDA SFERA / BALL GUIDE	NYLON 66 + FIBRA CARBONIO / NYLON 66 + CARBON FIBRE

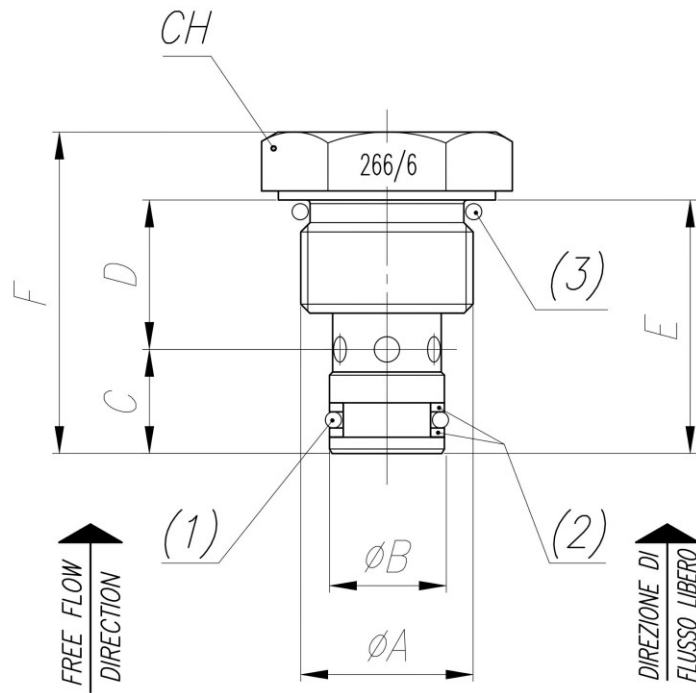
### Technical data

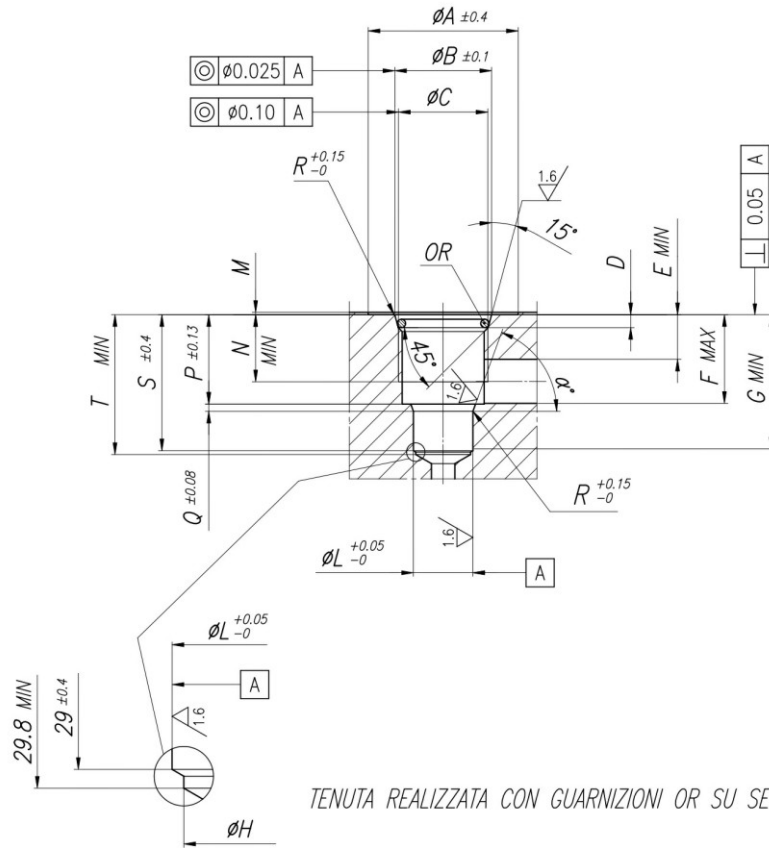
TIPO / TYPE	PRESSIONE ESERCIZIO BAR / WORKING PRESSURE BAR	MIN. PRESSIONE SCOPPIO BAR / MIN. BURSTING PRESSURE BAR	TEMPERATURA ESERCIZIO / WORKING TEMPERATURE	GRADO DI FILTRAZIONE µm / FILTRATION GRADE µm
34	320	1300	-20°C/+100°C	25
78	320	1300	-20°C/+100°C	25



## Dimensional tables and drawings

TIPO / TYPE	$\phi A$ UNI 4534	$\phi B$	C	D	E	F	CH	(3)	PESO / WEIGHT KG
34	3/4" -16 UNF	12,7	11,5	16,5	28	35,5	24	2068	0,059
78	7/8" -14 UNF	15,8	12,5	20	32,5	40	27	3075	0,082





TENUTA REALIZZATA CON GUARNIZIONI OR SU SEDE CONICA  
SEALING DONE WITH OR GASKETS ON CONICAL SEATING

	øA	øB	C UNI 4534	D	E	F	G	øH	øL	M	N	P	Q	R	S	T	α°	OR
34	32	20.65	3/4"	2.75	9.5	18.9	28.6	11.7	12.7	0.5	14.3	19.05	1.53	0.1	29	29.8	70	2068
78	32	24	7/8"	2.75	12.35	24.25	31.85	15	15.875	0.5	15.75	24.45	1.4	0.1	33.75	34.5	60	3075



## Flow rate curves

