



Stainless steel Metric threaded cartridge check valves

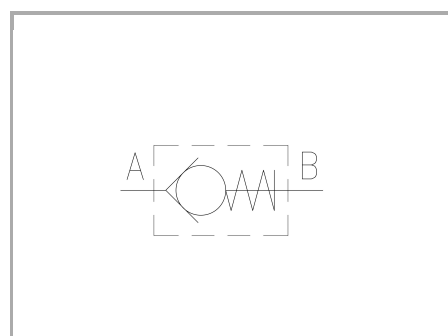
FT 2267/6

Cartridge check valves available from 1/4" to 1" size - METRIC THREADS. Max. working pressure 320 Bar, oil flow rate up to 100 Lt./min. (depending on the size)

Cartridge mounted

Direct control

Stainless Steel AISI 316



Technical information

Technical description

The valve, assembled into an hydraulic circuit, permits the free flow in a single direction blocking the passage in the opposite one. The valve consists of a body with metric cartridge, a taper piston with high mechanical resistance. The valve is available only with cracking pressure 0,5 bar.

Materials

CORPO VALVOLA / BODY VALVE	Acciaio INOX / Stainless Steel AISI 316
GUARNIZIONI / GASKETS	FPM
VALVOLA DI RITEGNO / CHECK VALVE	Acciaio INOX / Stainless Steel AISI 316
MOLLA / SPRING	Acciaio INOX / Stainless Steel AISI 316
TAPPO A VITE / SCREW PLUG	Acciaio INOX / Stainless Steel AISI 316

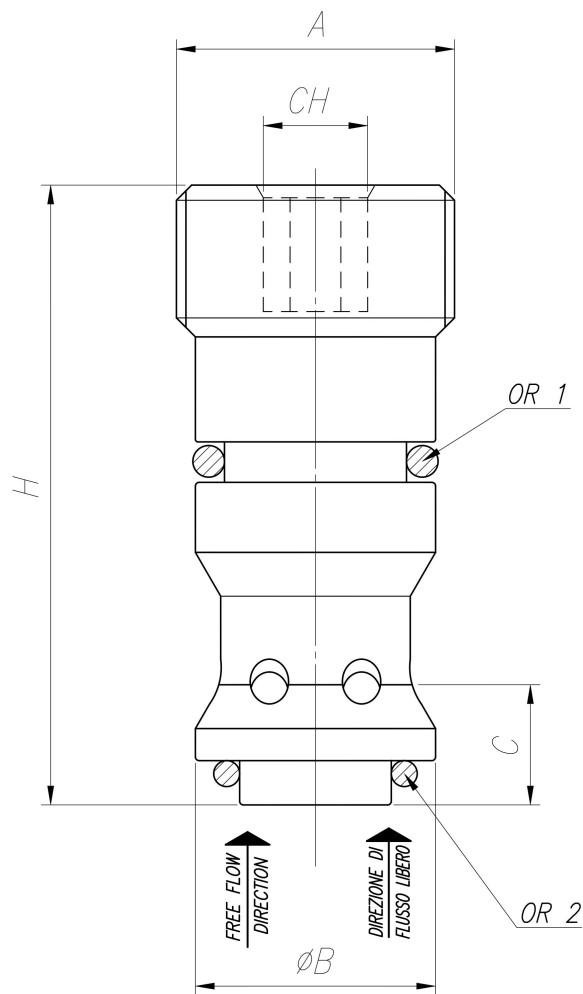
Technical data

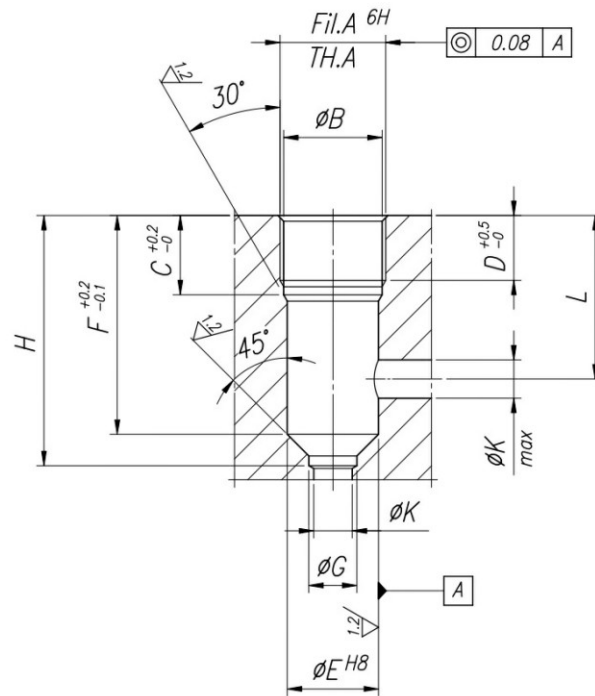
TIPO / TYPE	PRESSIONE ESERCIZIO BAR / WORKING PRESSURE BAR	MIN. PRESSIONE SCOPPIO BAR / MIN. BURSTING PRESSURE BAR	TEMPERATURA ESERCIZIO / WORKING TEMPERATURE	GRADO DI FILTRAZIONE µm / FILTRATION GRADE µm
14	320	1300	-20°C/+130°C	25
38	320	1300	-20°C/+130°C	25
12	320	1300	-20°C/+130°C	25
34	320	1300	-20°C/+130°C	25



Dimensional tables and drawings

TIPO / TYPE	ØA UNI 4534	ØB	C	H	CH	OR 1	OR 2	PESO / WEIGHT KG
14	M22x1,5	19	9,5	49	8	3056	115	0,080
38	M27x2	24	10,5	56	10	3075	3068	0,140
12	M33x2	29	13	67	10	3093	3087	0,265
34	M42x2	38	17	80,5	12	4125	4112	0,545





	ϕA <small>UNI 4534</small>	ϕB	C	D	ϕE	F	ϕG	H	ϕK	L	
										MIN	MAX
14	M22x1.5	20.5	16.5	13.5	19	45.5	10	52	8	33.5	36
38	M27x2	25	18	16	24	52.5	15	59	10	36.5	40
12	M33x2	31	21	17	29	63.5	20	71	12	45	49
34	M42x2	40	25	20	38	76	26	85.5	15	52	59



Flow rate curves

