

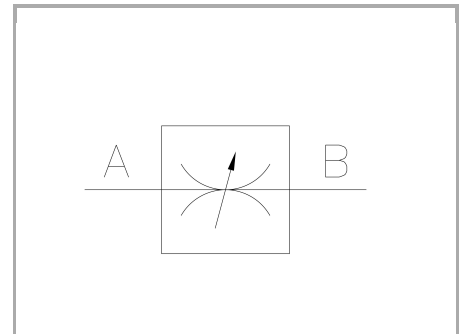


Plate Double-acting flow control valves

FT 280/2

Plate flow control valves available in sizes from 1/8" to 1/2" and Cetop 3 (03) and 06, max. working pressure 250 Bar, adjustable oil flow rate from 0,2 to 80 Lt./min. (depending on the size)

Plate mounted valves
Double-acting control
Carbon steel



Technical information

Technical description

They allow flow control in both directions. They are equipped with a needle properly set up for: • efficient metallic sealing; • flow linearity during opening; • accurate flow control for a wide range of flow rates. A double reference system made up of a decimal scale on the handwheel and of a keyed metal ring, with a graduated scale, and divided into sectors allows easily to identify the flow conditions. A locking screw inside the handwheel guarantees stable flow values preventing vibrations, accidental movements and possible impacts. They are provided with plate connections mod. CETOP 03 or interchangeable with the widely used valves (kind 60). The connection O-rings are equipped in series. Max. working pressure 250 bar.

Materials

CORPO BASETTA / CETOP BODY	Acciaio/Steel 11 S Mn Pb 37-UNI EN 10087
CORPO CARTUCCIA / CARTRIDGE BODY	Acciaio/Steel 11 S Mn Pb 37-UNI EN 10087
SPILO DI REGOLAZIONE / ADJUSTING NEEDLE	Acciaio legato/Alloy Steel
GUARNIZIONI / GASKETS	Di serie NBR - A richiesta FPM/Standard NBR-on demand FPM
ANELLI ANTIESTRUSIONE / ANTIEXTRUSION RINGS	PTFE
MANOPOLA TIPO MA - RA / KNOB TYPE MA - RA	Alluminio/Aluminum GD AlSi12- UNI EN AB 46100
MANOPOLA TIPO MP / KNOB TYPE MP	ABS



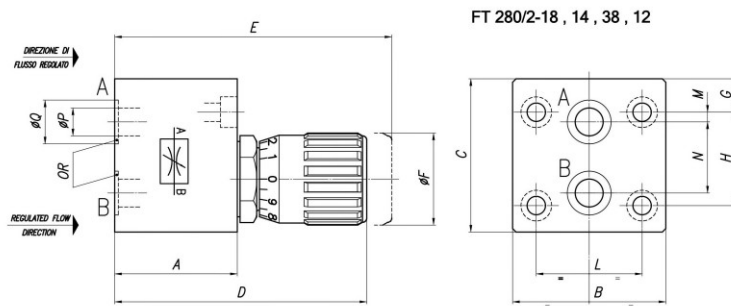
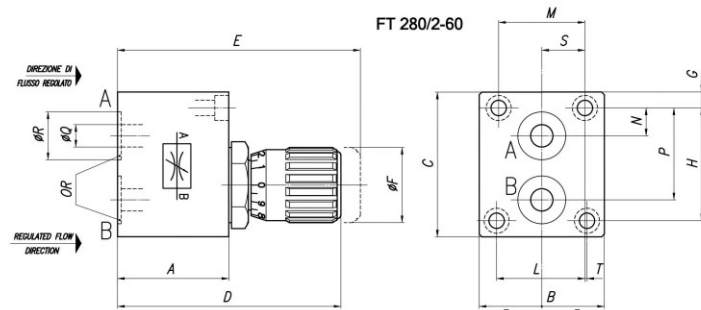
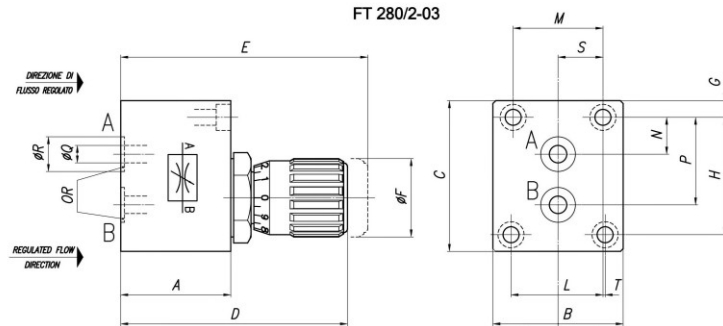
Technical data

TIPO / TYPE	PRESSIONE ESERCIZIO BAR / WORKING PRESSURE BAR	TEMPERATURA ESERCIZIO / WORKING TEMPERATURE	GRADO DI FILTRAZIONE μm / FILTRATION GRADE μm
03	250	-20°C/+100°C	25
60	250	-20°C/+100°C	25
18	250	-20°C/+100°C	25
14	250	-20°C/+100°C	25
38	250	-20°C/+100°C	25
12	250	-20°C/+100°C	25

Dimensional tables and drawings

TIPO / TYPE	A	B	C	D	E	$\varnothing F$	G	H	L	M
03	38	45	52	78	85	27	5,75	40,5	31,75	31
60	40	45	52	80	87	27	5,75	40,5	31,75	31
18	32	42	35	67	72	22	8	19	28,5	1,5
14	38	50	50	78	85	27	7,5	35	33,5	5
38	44	55	55	91	100	33	12	33,5	38	3,5
12	55	60	70	109,1	119,6	38	18	38	44,5	4

TIPO / TYPE	N	P	$\varnothing Q$	$\varnothing R$	S	T	OR	VITI / SCREWS	PESO / WEIGHT KG
03	12,7	30,2	6	12	15,5	0,75	108	M5x40	0,700
60	10	33	8	17,2	15,5	0,75	2056	M5x45	0,720
18	16	4	9,5	-	-	-	2025	M6x40	0,350
14	25,5	6	12,7	-	-	-	2037	M6x45	0,730
38	25,5	8	15,7	-	-	-	2050	M6x50	1,040
12	30	11	19,7	-	-	-	119	M6x60	1,810





Flow rate curves

