



Plate PRESSURE COMPENSATED double-acting flow control valves

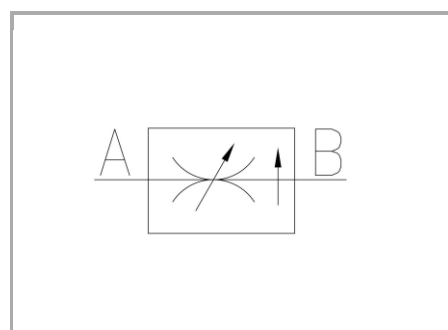
FT 289/2

Compensated double-acting flow control valves available in sizes 03 and 60. Max. working pressure 250 Bar, adjustable oil flow rate from 3 to 20 Lt./min.

Plate mounted valves

Pressure compensated double-acting control

Carbon steel



Technical information

Technical description

Version with plate mounting of the cartridge pressure compensated flow control valves series FT 287/2. They keep main functional and construction characteristics. Appreciated for the high precision level. They are provided with plate connections mod. CETOP 03 or interchangeable with the widely used valves (kind 60). The connection O-rings are equipped in series. Max. working pressure 250 bar.

Materials

CORPO VALVOLA / BODY VALVE	Acciaio/Steel 11 S Mn Pb 37-UNI EN 10087
ORGANI DI REGOLAZIONE / ADJUSTING COMPONENTS	Acciaio/Steel 35 S Mn Pb 10-UNI EN 10087
PISTONE COMPENSATORE / COMPENSATION PISTON	Acciaio/Steel 39 Ni Cr Mo 3-UNI EN 10083
GUARNIZIONI / GASKETS	Di serie NBR - A richiesta FPM/Standard NBR-on demand FPM
ANELLI ANTIESTRUSIONE / ANTIEXTRUSION RINGS	PTFE
MANOPOLA TIPO MA / KNOB TYPE MA	Alluminio/Aluminum GD AlSi12- UNI EN AB 46100

Technical data

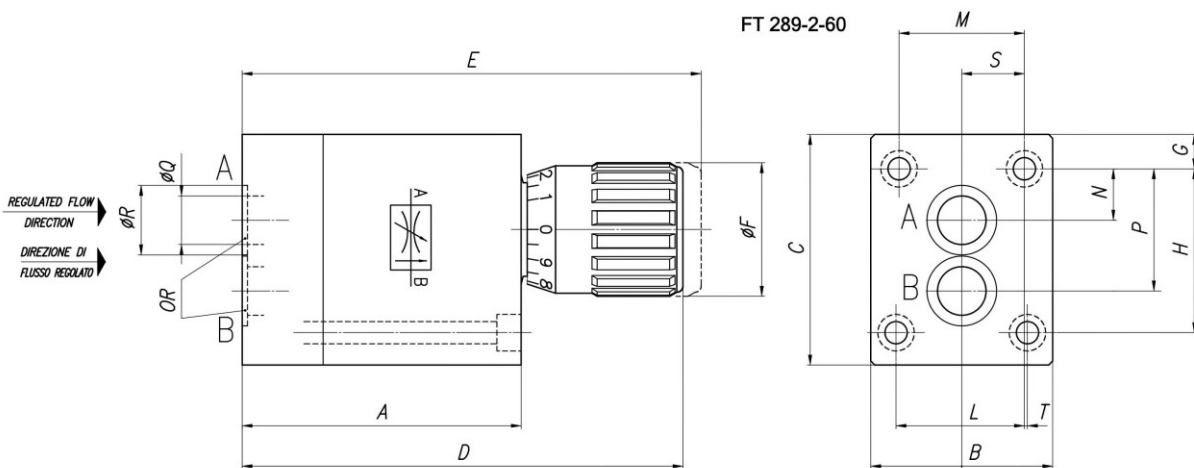
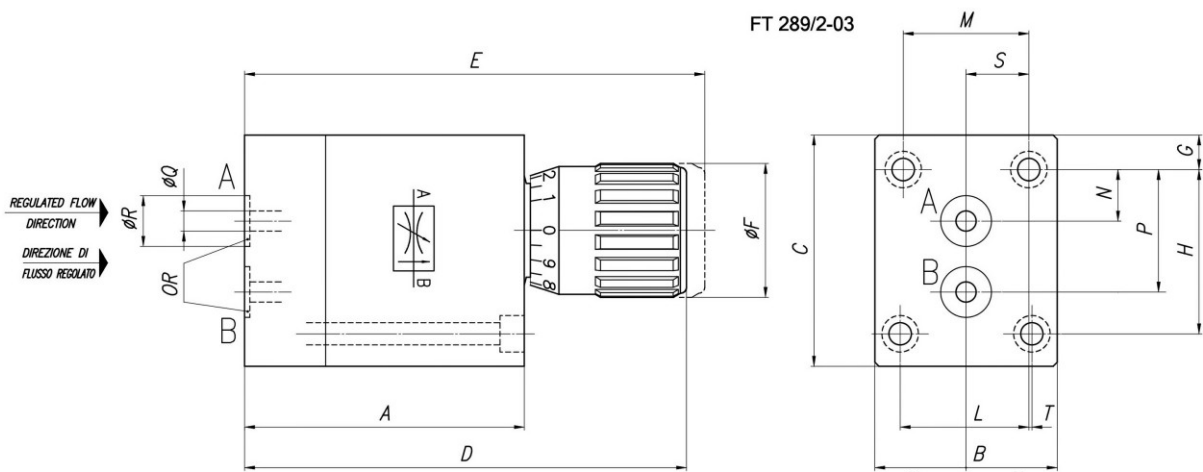
TIPO / TYPE	PRESSIONE ESERCIZIO BAR / WORKING PRESSURE BAR	TEMPERATURA ESERCIZIO / WORKING TEMPERATURE	GRADO DI FILTRAZIONE µm / FILTRATION GRADE µm
03	250	-20°C/+100°C	25
60	250	-20°C/+100°C	25



Dimensional tables and drawings

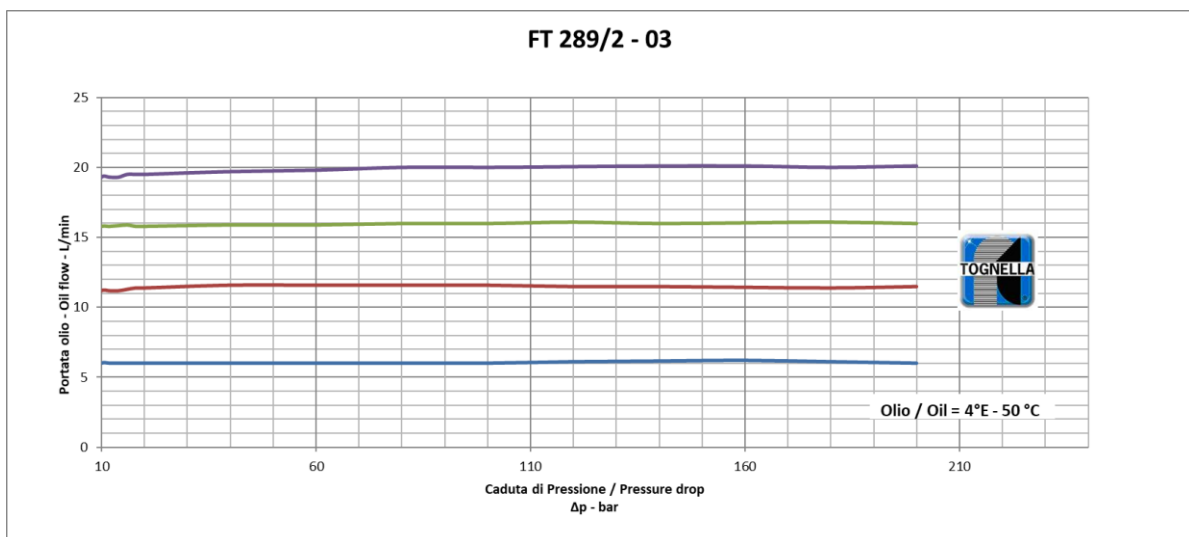
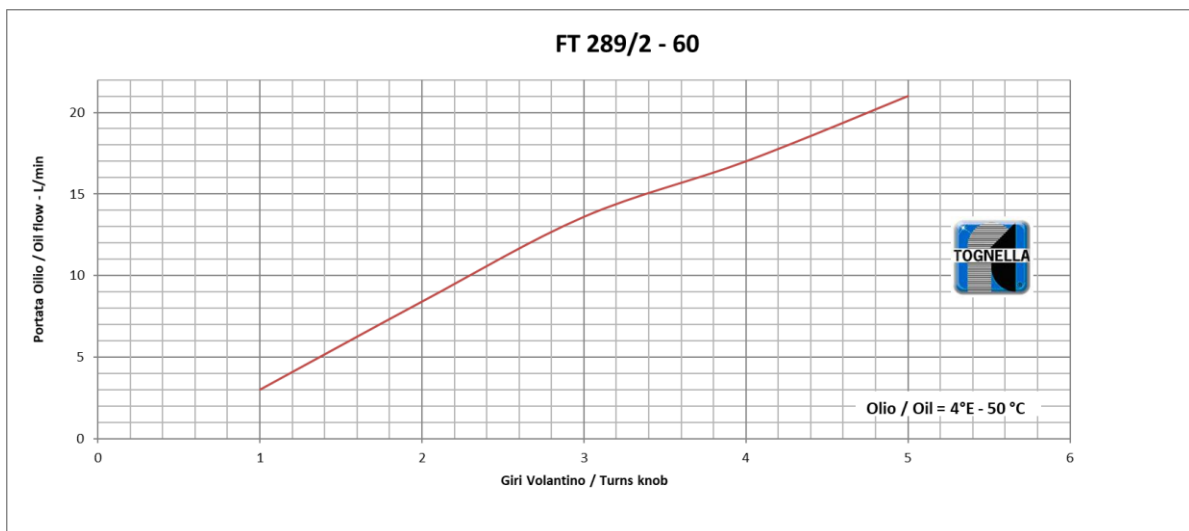
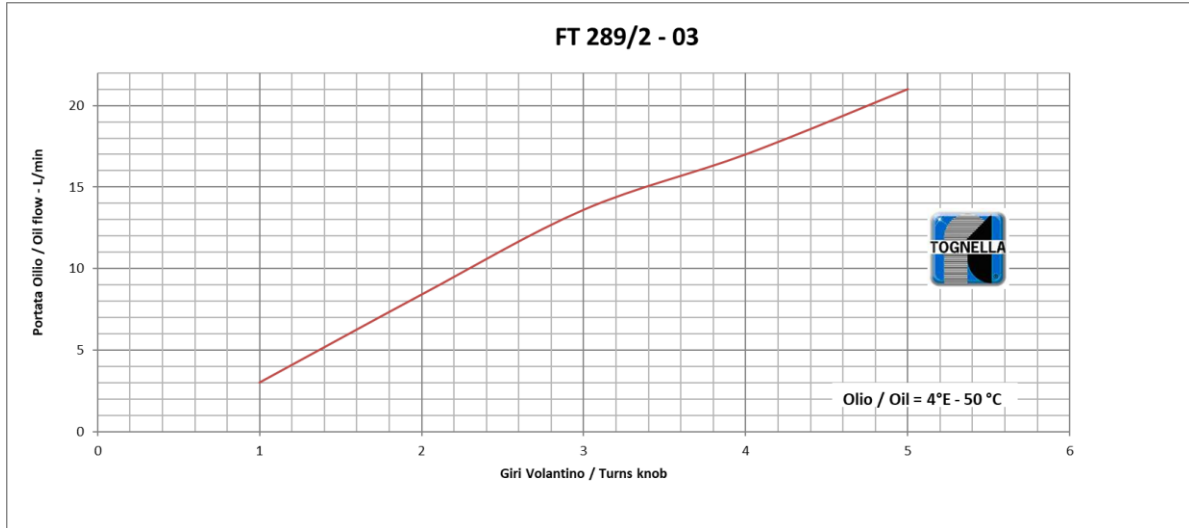
TIPO / TYPE	A	B	C	D	E	ØF	G	H	L	M
03	69	45	57	109	113,5	33	8,5	40,5	31,75	31
60	69	45	57	109	113,5	33	8,5	40,5	31,75	31

TIPO / TYPE	N	P	ØQ	ØR	S	T	OR	VITI / SCREWS	PESO / WEIGHT KG
03	12,7	30,5	5	12,5	15,5	0,75	2037	M5x75	1,285
60	10	33	6	17,2	15,5	0,75	2056	M5x75	1,270





Flow rate curves





FT 289/2 - 60

