



## In line double-acting flow control valves

### FT 257/2

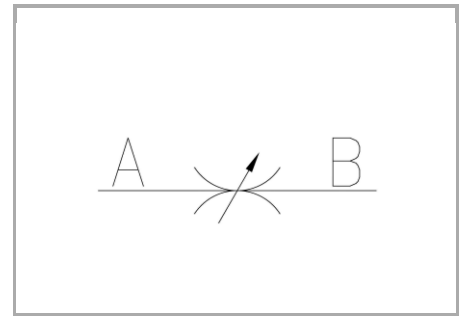
Double-acting flow control valves available from 1/8" to 2" BSPP size, max. working pressure 400 Bar / 320 Bar, adjustable oil flow rate from 0,5 to 200 Lt./min.(depending on the size)

**Double-acting control**

**In line or panel mounting**

**Carbon steel**

**Connections: F - F Female - Female**



## Technical information

### Technical description

The valves FT 257/2 allow flow control in both directions. They are equipped with a needle so to obtain: • efficient metallic seal; • flow linearity at the opening; • accurate regulation for a wide range of flow rate. The typical painted and FT ( standard ) serigraphed aluminium handwheel is equipped with a scale that, together with a keyed metal ring with graduated fractional scale, made up a double reference system to easily identify flow condition. A locking screw in the handwheel ensures stable flow values preventing accidental adjustments or movements due to vibrations and unwanted impacts. A ring nut (G) is used to carry out the panel mounting, on request.

### Materials

|  |  |
|--|--|
| <b>CORPO VALVOLA / VALVE BODY</b>                  | <b>Acciaio/Steel 11 S Mn Pb 37-UNI EN 10087</b>                  |
| <b>SPILO DI REGOLAZIONE / ADJUSTING NEEDLE</b>     | <b>Acciaio legato/Alloy steel</b>                                |
| <b>GUARNIZIONI / GASKETS</b>                       | <b>Di serie NBR - A richiesta FPM/Standard NBR-on demand FPM</b> |
| <b>ANELLI ANTIESTRUSIONE / ANTIEXTRUSION RINGS</b> | <b>PTFE</b>  |
| <b>MANOPOLA TIPO MA - RA / KNOB TYPE MA - RA</b>   | <b>Alluminio / Aluminium GD AlSi12 - UNI EN AB 46100</b>         |
| <b>MANOPOLA TIPO MP / KNOB TYPE MP</b>             | <b>ABS</b>   |



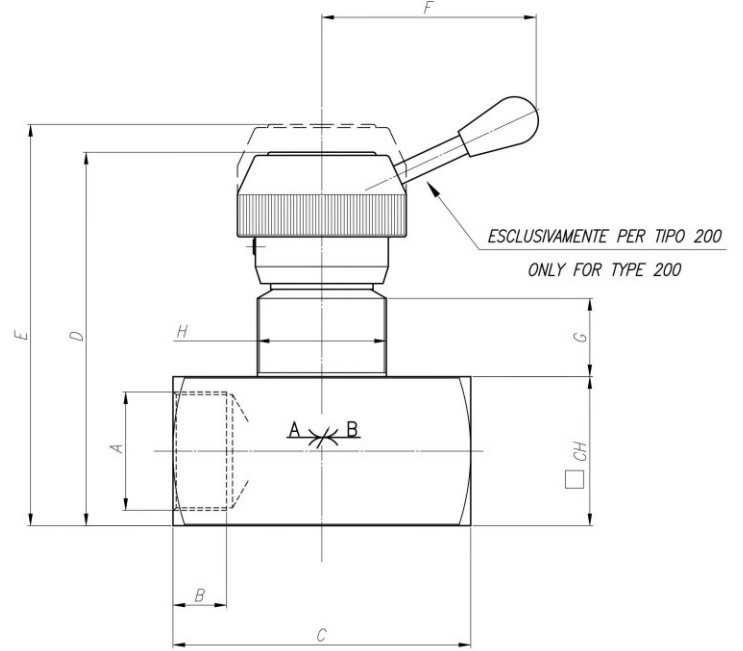
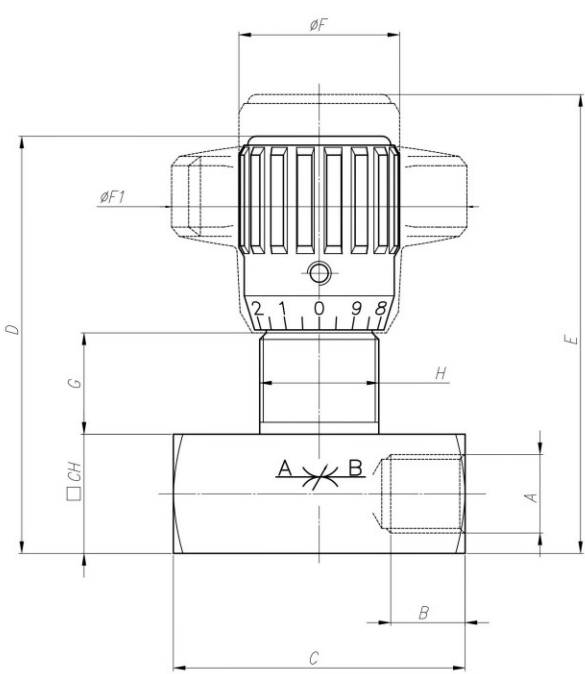
## Technical data

| TIPO / TYPE | PRESSIONE ESERCIZIO BAR / WORKING PRESSURE BAR | MIN. PRESSIONE SCOPPIO BAR / MIN. BURSTING PRESSURE BAR | TEMPERATURA ESERCIZIO / WORKING TEMPERATURE | GRADO DI FILTRAZIONE $\mu\text{m}$ / FILTRATION GRADE $\mu\text{m}$ |
|-------------|--|---|---|---|
| 18          | 400  | 1600  | -20°C/+100°C                                | 25  |
| 14          | 400  | 1600  | -20°C/+100°C                                | 25  |
| 38          | 400  | 1600  | -20°C/+100°C                                | 25  |
| 12          | 400  | 1600  | -20°C/+100°C                                | 25  |
| 34          | 400  | 1600  | -20°C/+100°C                                | 25  |
| 100         | 320  | 1300  | -20°C/+100°C                                | 25  |
| 114         | 320  | 1300  | -20°C/+100°C                                | 25  |
| 112         | 320  | 1300  | -20°C/+100°C                                | 25  |
| 200         | 320  | 1300  | -20°C/+100°C                                | 25  |

## Dimensional tables and drawings

| TIPO / TYPE | A<br>UNI 338 | B    | C   | D     | E     | $\varnothing$ F |
|-------------|--------------|------|-----|-------|-------|-----------------|
| 18          | 1/8" G       | 8,5  | 38  | 59    | 64    | 22              |
| 14          | 1/4" G       | 12,5 | 49  | 71    | 78    | 27              |
| 38          | 3/8" G       | 12,5 | 59  | 84    | 93    | 33              |
| 12          | 1/2" G       | 15,5 | 68  | 97    | 107   | 38              |
| 34          | 3/4" G       | 17   | 86  | 120,5 | 132,5 | 47              |
| 100         | 1" G         | 20   | 105 | 151,5 | 167,5 | 58              |
| 114         | 1 1/4" G     | 22   | 120 | 156,5 | 172,5 | 58              |
| 112         | 1 1/2" G     | 24   | 134 | 167   | 181   | 58              |
| 200         | 2" G         | 27   | 150 | 188   | 202   | 108             |

| TIPO / TYPE | $\varnothing$ F1 | G    | H       | CH | PESO / WEIGHT<br>KG |
|-------------|------------------|------|---------|----|---------------------|
| 18          | 40               | 13,5 | M17x1   | 16 | 0,110               |
| 14          | 50               | 17   | M20x1   | 20 | 0,200               |
| 38          | 70               | 19,5 | M25x1,5 | 25 | 0,375               |
| 12          | 80               | 21   | M30x1,5 | 30 | 0,600               |
| 34          | 100              | 26,5 | M40x1,5 | 40 | 1,300               |
| 100         | 120              | 35   | M50x1,5 | 50 | 2,550               |
| 114         | 120              | 35   | M50x1,5 | 55 | 2,994               |
| 112         | 120              | 35   | M55x2   | 65 | 4,217               |
| 200         | /                | 44   | M65x2   | 75 | 7,320               |



## Flow rate curves

