



Direct check valves Cetop 3

FT 357/6

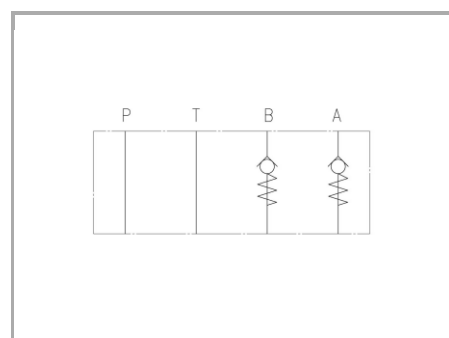
Single-acting stackable valves Cetop3, direct control, available with controlled flow on A-B-P or double A+B ports. Max. working pressure 320 Bar, oil flow rate up to 40 Lt./min.

Cetop 3 valves - NG6

Check valves

Direct control

Carbon steel



Technical information

Technical description

Check valve for modular mounting with subplate surface according to ISO 4401-03. It stops the fluid passage on port indicated in a direction, allowing the free flow in the opposite one.

Materials

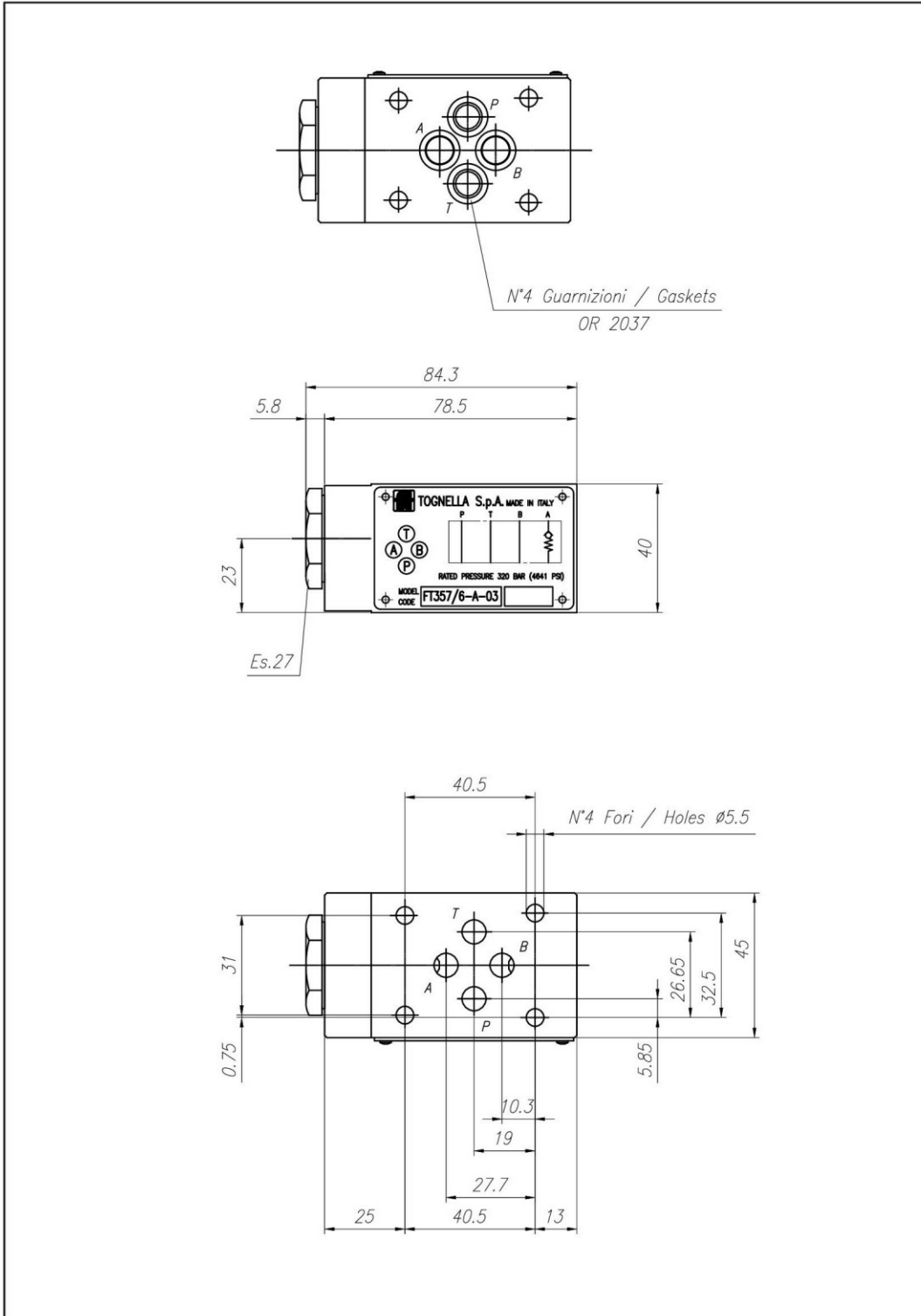
CORPO VALVOLA / BODY VALVE	Acciaio/Steel 11 S Mn Pb 37-UNI EN 10087
CORPO CARTUCCIA / CARTRIDGE BODY	Acciaio/Steel 11 S Mn Pb 37-UNI EN 10087
SPILO DI REGOLAZIONE / ADJUSTING NEEDLE	Acciaio legato/Alloy Steel
GUARNIZIONI / GASKETS	Di serie NBR - A richiesta FPM/Standard NBR-on demand FPM
ANELLI ANTIESTRUSIONE / ANTIEXTRUSION RINGS	PTFE

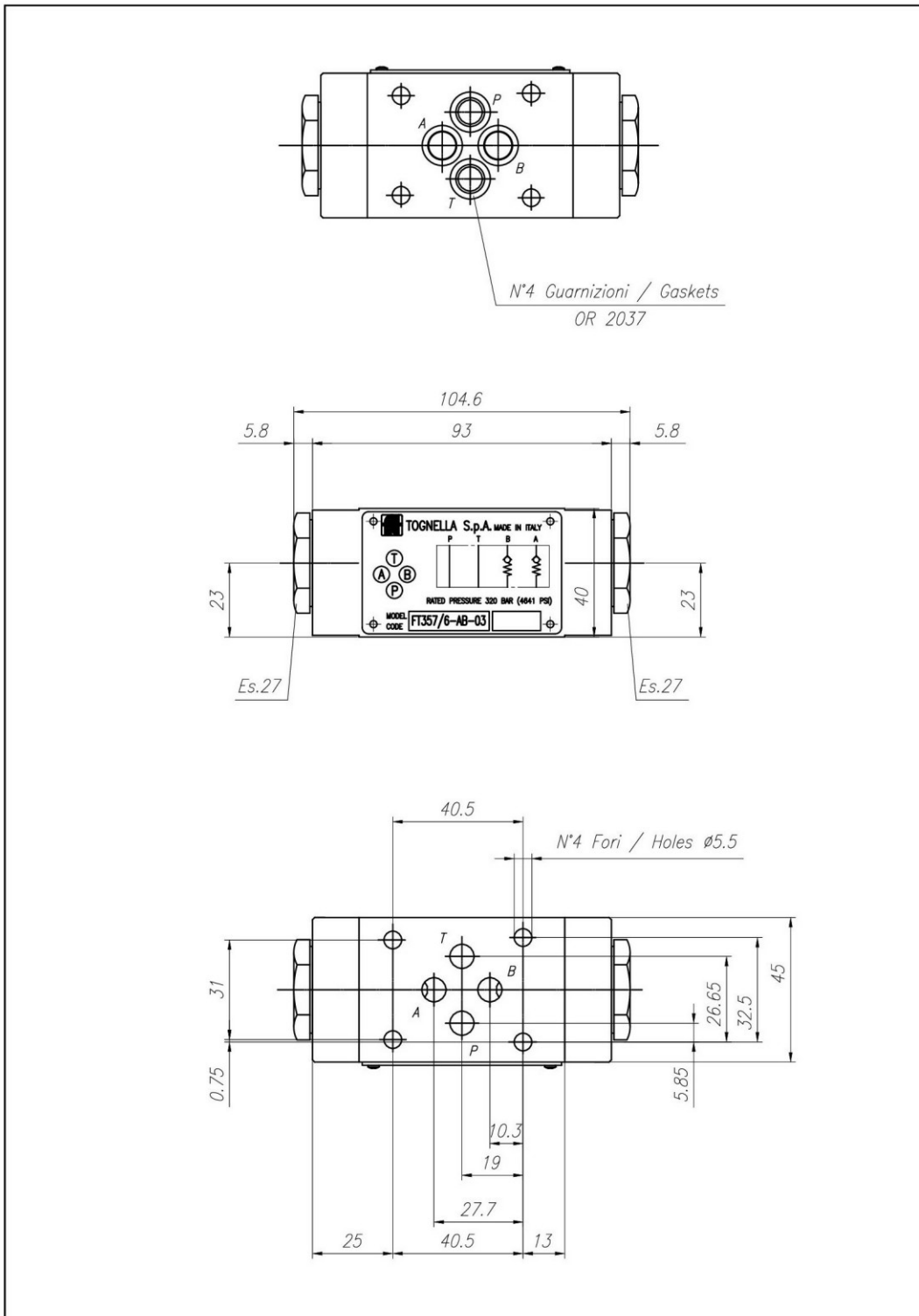
Technical data

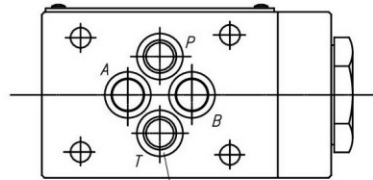
TIPO / TYPE	PRESSIONE ESERCIZIO BAR / WORKING PRESSURE BAR	TEMPERATURA ESERCIZIO / WORKING TEMPERATURE	CLASSE DI CONTAMINAZIONE FLUIDO / FLUID CONTAMINATION CLASS
A	320	-20°C/+80°C	ISO 4406 19/17/14
AB	320	-20°C/+80°C	ISO 4406 19/17/14
B	320	-20°C/+80°C	ISO 4406 19/17/14
P	320	-20°C/+80°C	ISO 4406 19/17/14
T	320	-20°C/+80°C	ISO 4406 19/17/14



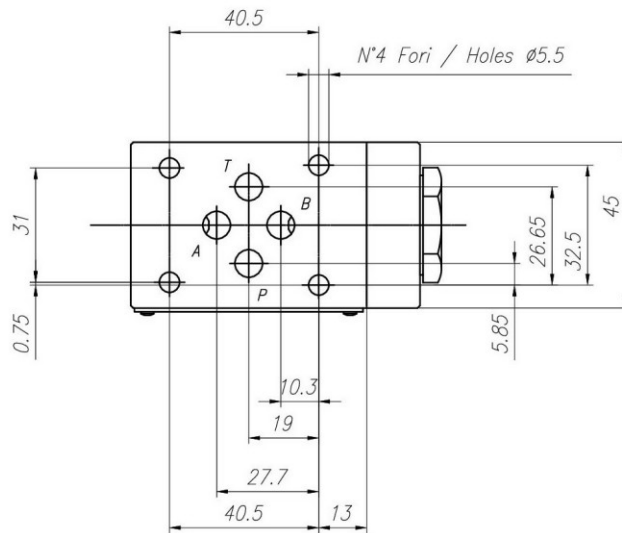
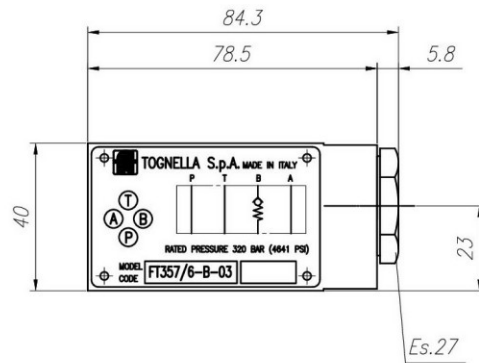
Dimensional tables and drawings

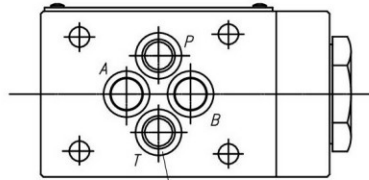




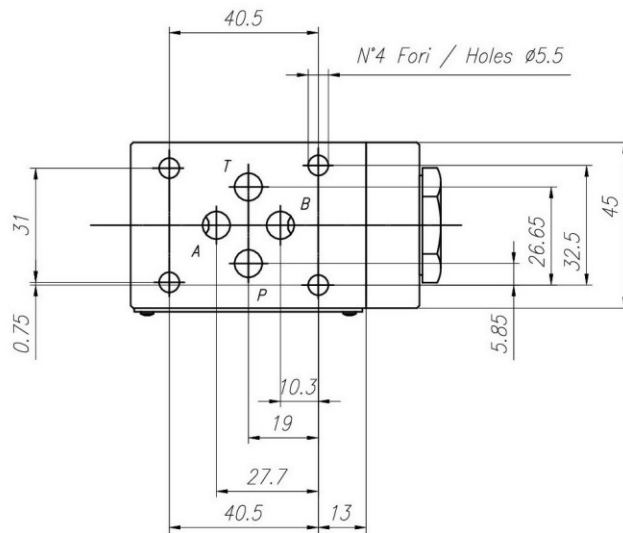
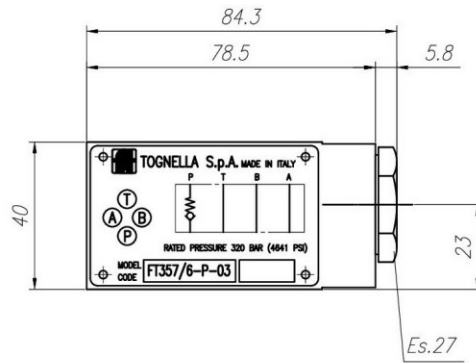


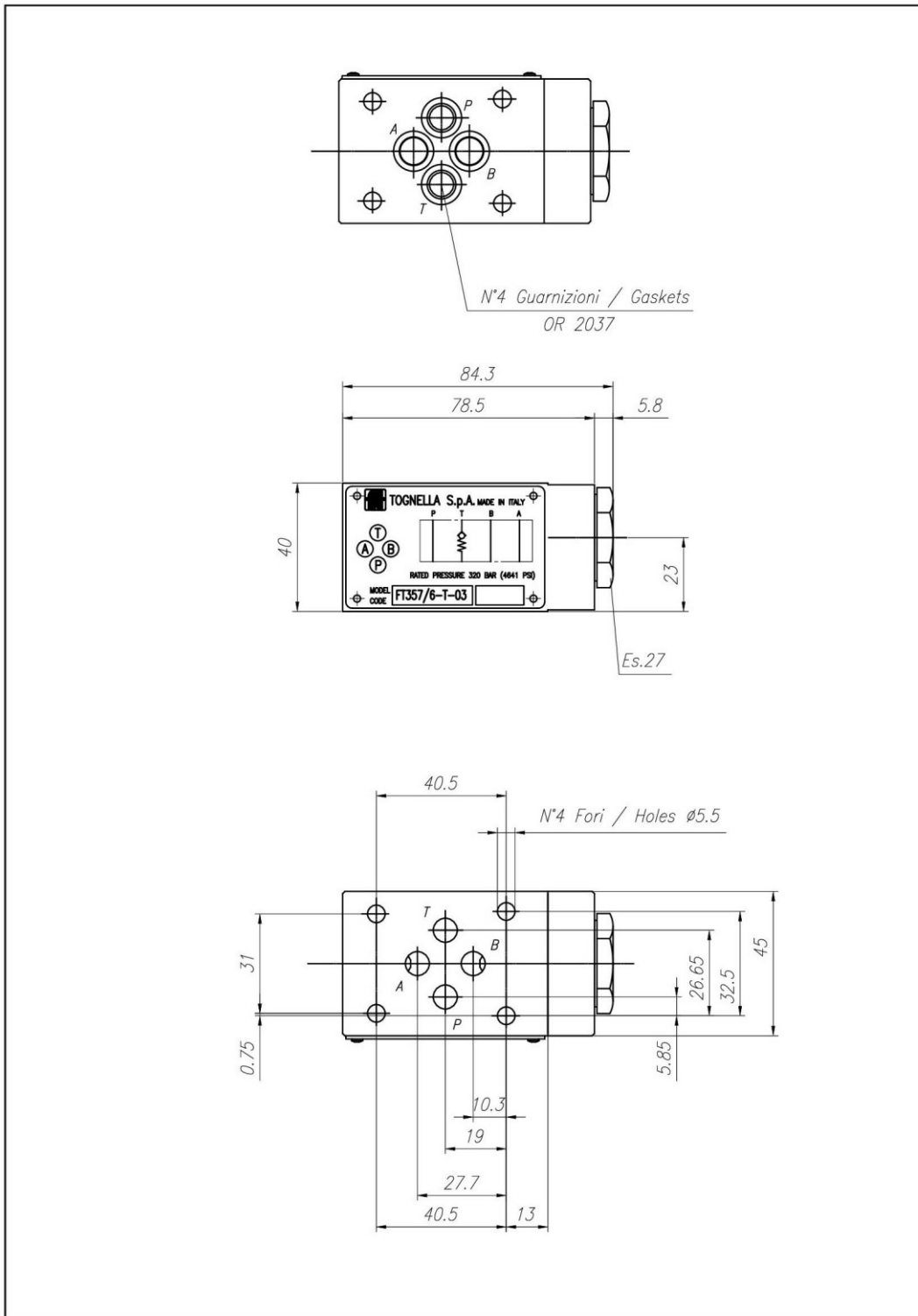
N°4 Guarnizioni / Gaskets
OR 2037





N°4 Guarnizioni / Gaskets
OR 2037







Flow rate curves

