



## Single-acting flow control valves Cetop 3

### FT 358/5

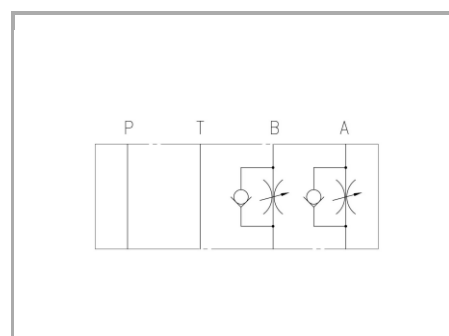
Single-acting flow control stackable valves Cetop3 available with controlled flow on A-B or double A+B ports, max. working pressure 320 bar, adjustable oil flow rate from 0,5 to 35 Lt./min.

**Cetop 3 valves - NG6**

**Flow control**

**Single-acting control (Meter-out)**

**Carbon steel**



## Technical information

### Technical description

Flow control valve, not compensated, for modular mounting with subplate surface according to ISO 4401-03. It allows a fine fluid regulation in a direction even with low flow rate, allowing the free flow in the opposite one. Single regulation available on A or B or double on A+B. Version with adjustment screw, equipped with lock nut for flow rate regulation.

### Materials

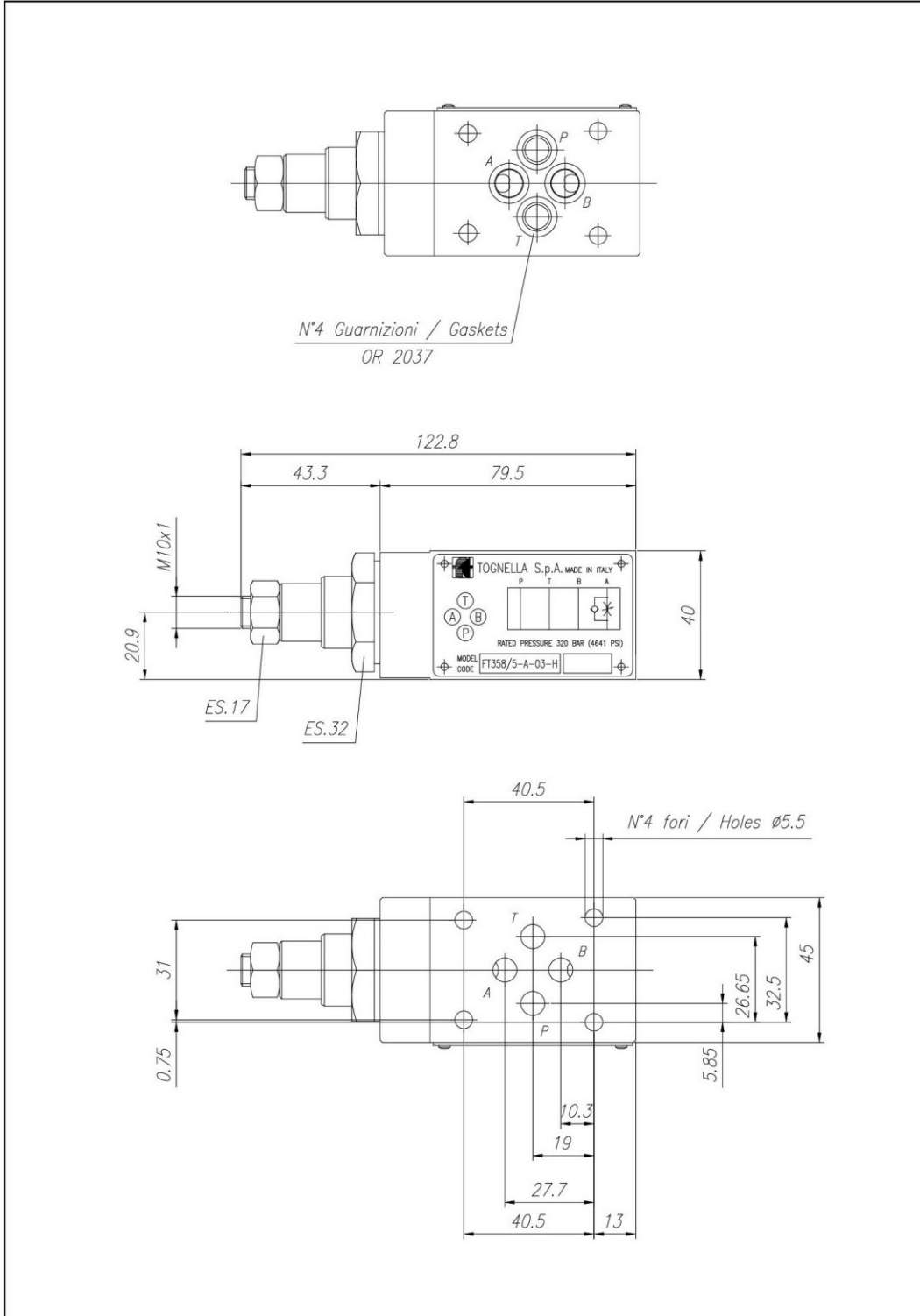
CORPO VALVOLA / BODY VALVE	Acciaio/Steel 11 S Mn Pb 37-UNI EN 10087
CORPO CARTUCCIA / CARTRIDGE BODY	Acciaio/Steel 11 S Mn Pb 37-UNI EN 10087
SPILO DI REGOLAZIONE / ADJUSTING NEEDLE	Acciaio legato/Alloy Steel
GUARNIZIONI / GASKETS	Di serie NBR - A richiesta FPM/Standard NBR-on demand FPM
ANELLI ANTIESTRUSIONE / ANTIEXTRUSION RINGS	PTFE
MANOPOLA TIPO MA / KNOB TYPE MA	Alluminio/Aluminum GD AlSi12- UNI EN AB 46100

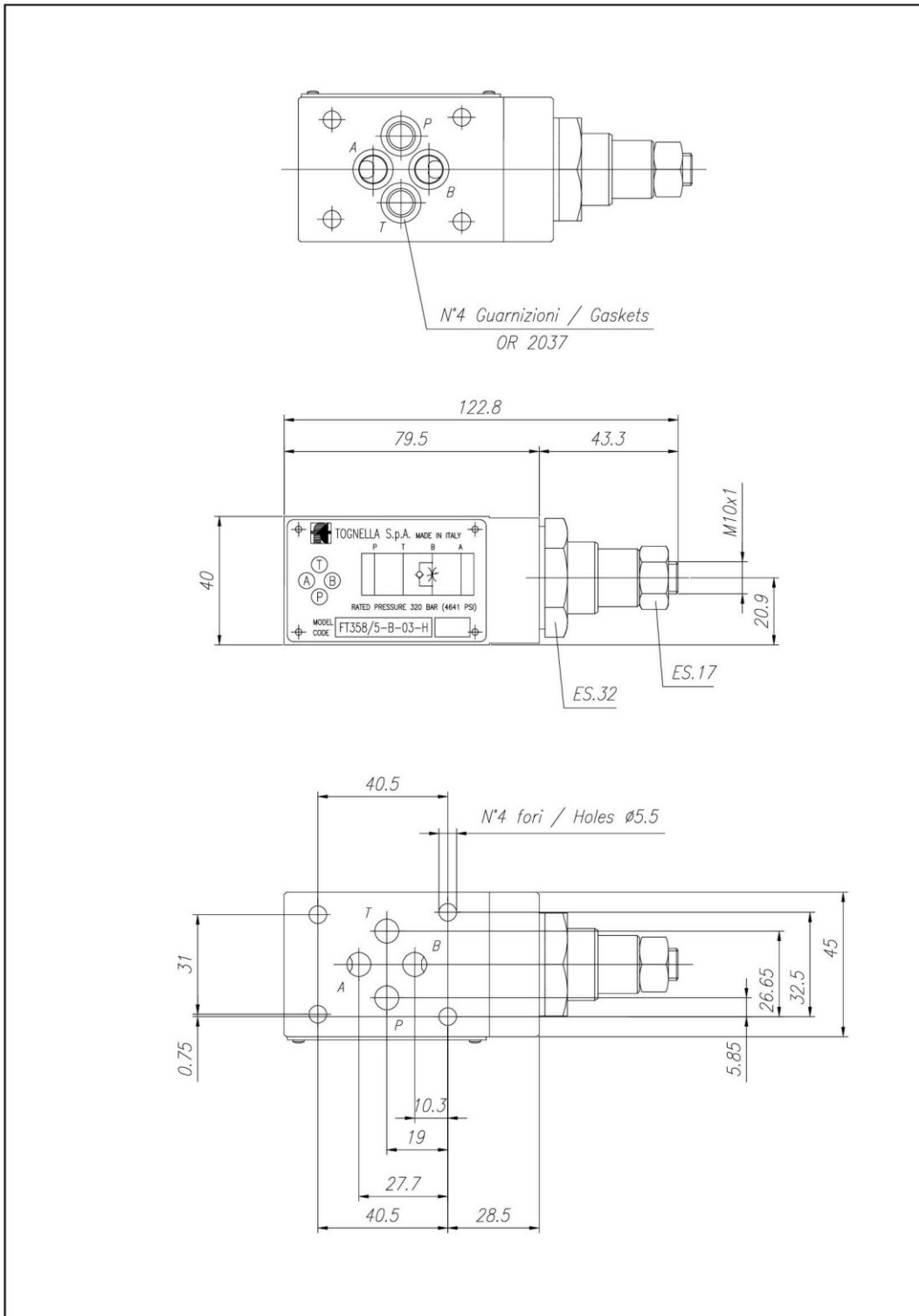
### Technical data

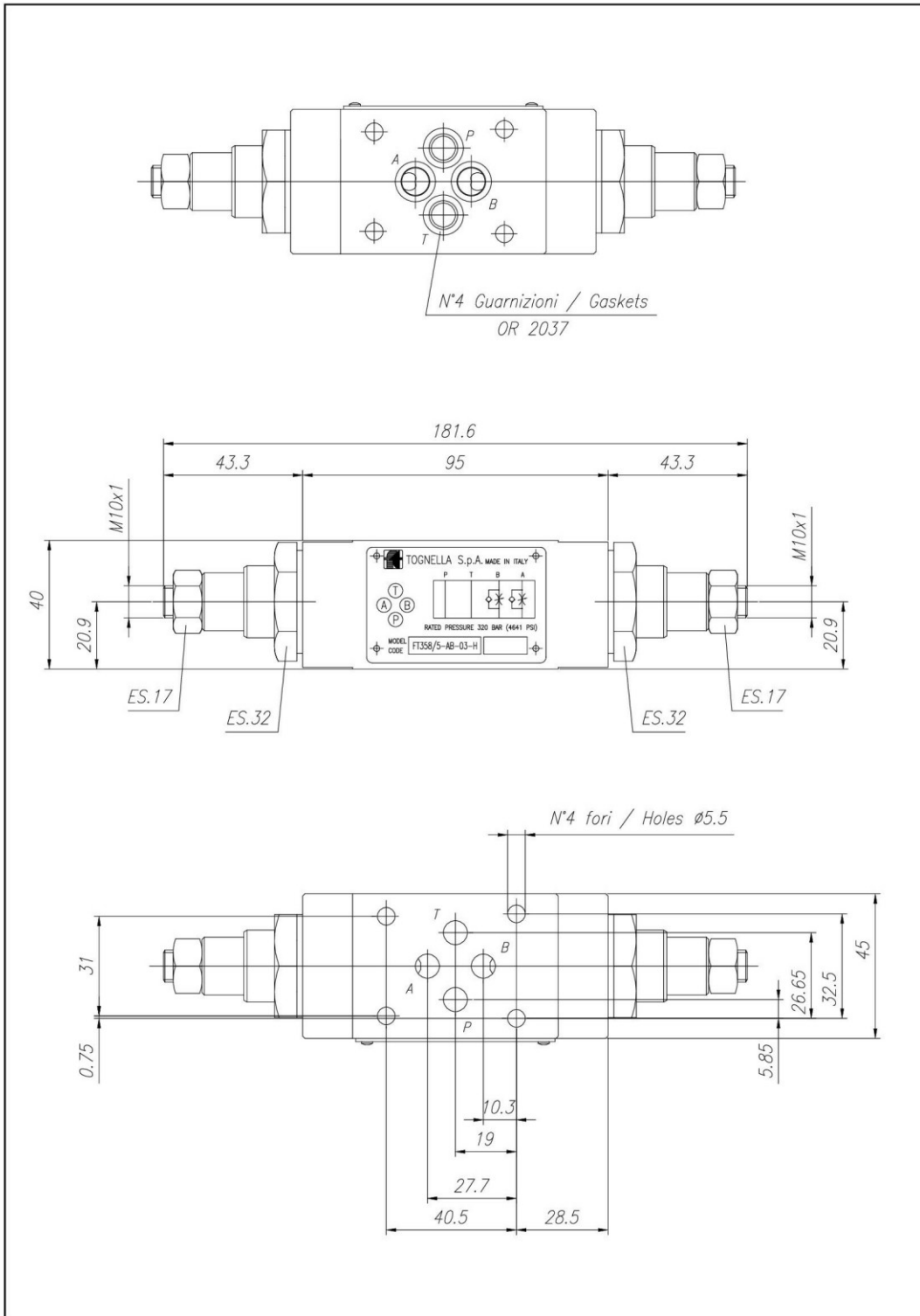
TIPO / TYPE	PRESSIONE ESERCIZIO BAR / WORKING PRESSURE BAR	TEMPERATURA ESERCIZIO / WORKING TEMPERATURE	CLASSE DI CONTAMINAZIONE FLUIDO / FLUID CONTAMINATION CLASS
A	320	-20°C/+80°C	ISO 4406 19/17/14
AB	320	-20°C/+80°C	ISO 4406 19/17/14
B	320	-20°C/+80°C	ISO 4406 19/17/14



## Dimensional tables and drawings









## Flow rate curves

