



## Pressure compensated Fixed flow control valves Cetop 3

### FT 369/2

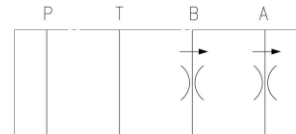
Pressure compensated Fixed flow control valve keeping the flow constant at pressure changes.

**Cetop 3 valves - NG6**

**Flow control**

**Pressure compensated fixed flow control**

**Carbon steel**



## Technical information

### Technical description

Fixed flow control valve, pressure compensated, for modular mounting with subplate surface according to ISO 4401-03. It permits a fine fixed flow rate, selected in accordance to the appropriate calibrated hole, allowing to keep independently the pressure changes upstream or downstream of the regulator.

### Materials

<b>CORPO VALVOLA / BODY VALVE</b>	<b>Acciaio/Steel 11 S Mn Pb 37-UNI EN 10087</b>
<b>CORPO CARTUCCIA / CARTRIDGE BODY</b>	<b>Acciaio/Steel 11 S Mn Pb 37-UNI EN 10087</b>
<b>SPILO DI REGOLAZIONE / ADJUSTING NEEDLE</b>	<b>Acciaio legato/Alloy Steel</b>
<b>GUARNIZIONI / GASKETS</b>	<b>Di serie NBR - A richiesta FPM/Standard NBR-on demand FPM</b>
<b>ANELLI ANTIESTRUSIONE / ANTIEXTRUSION RINGS</b>	<b>PTFE</b>
<b>MANOPOLA TIPO MA / KNOB TYPE MA</b>	<b>Alluminio/Aluminum GD AISi12- UNI EN AB 46100</b>

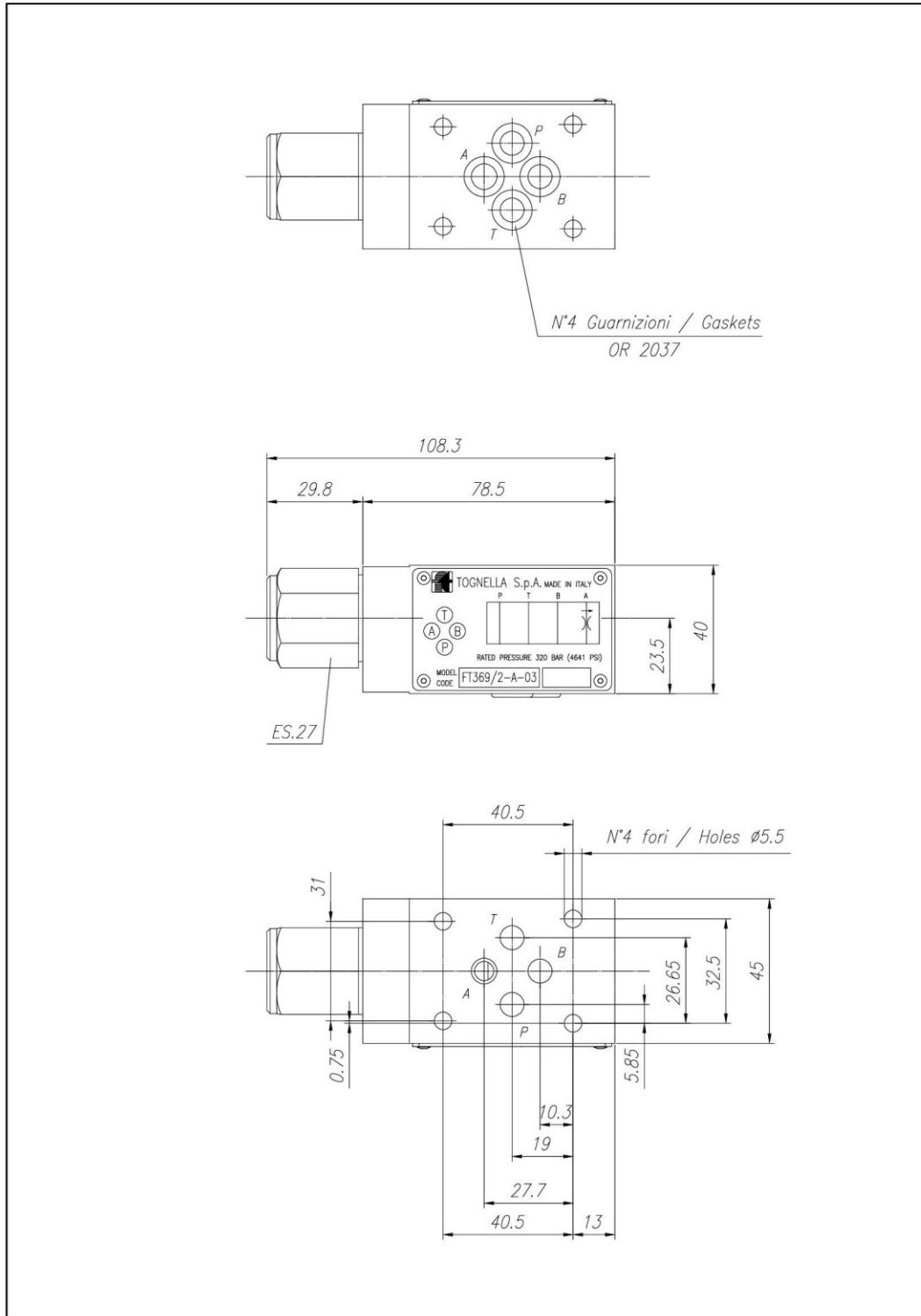


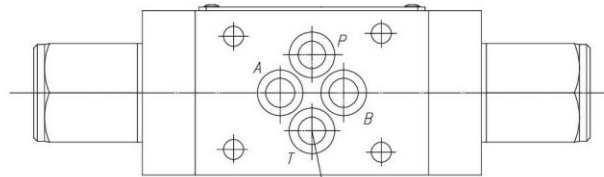
## Technical data

TIPO / TYPE	PRESSIONE ESERCIZIO BAR / WORKING PRESSURE BAR	TEMPERATURA ESERCIZIO / WORKING TEMPERATURE	CLASSE DI CONTAMINAZIONE FLUIDO / FLUID CONTAMINATION CLASS
A	320	-20°C/+80°C	ISO 4406 19/17/14
AB	320	-20°C/+80°C	ISO 4406 19/17/14
B	320	-20°C/+80°C	ISO 4406 19/17/14
P	320	-20°C/+80°C	ISO 4406 19/17/14

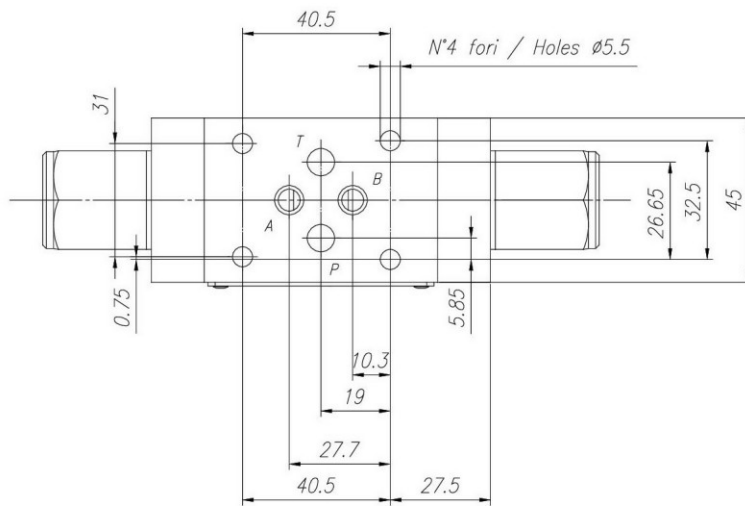
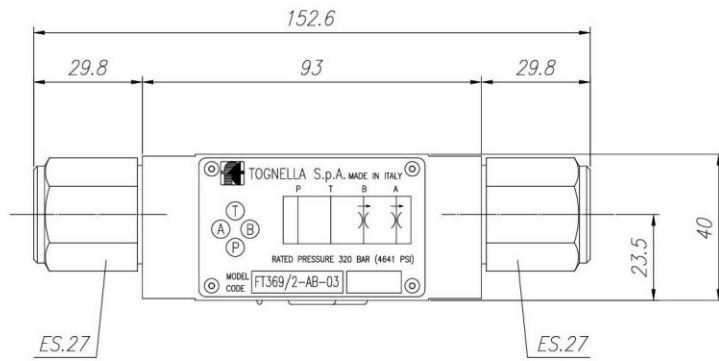


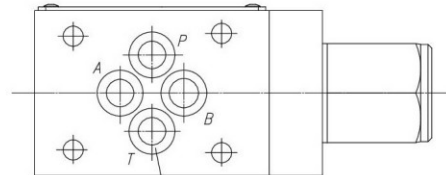
## Dimensional tables and drawings



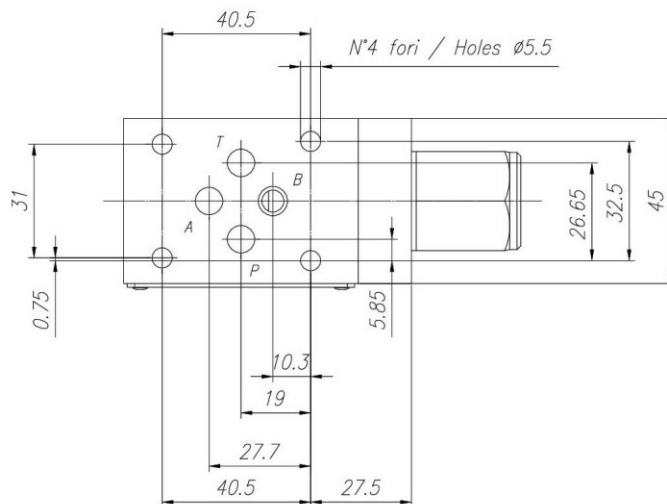
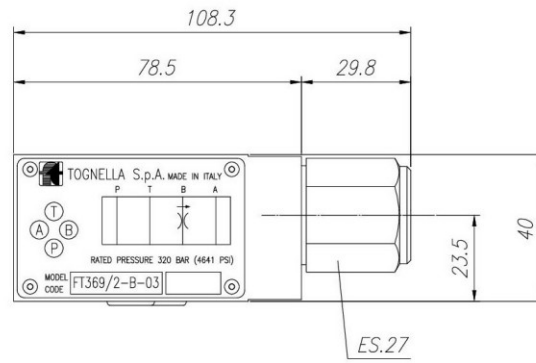


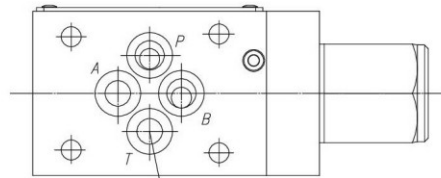
N°4 Guarnizioni / Gaskets  
OR 2037



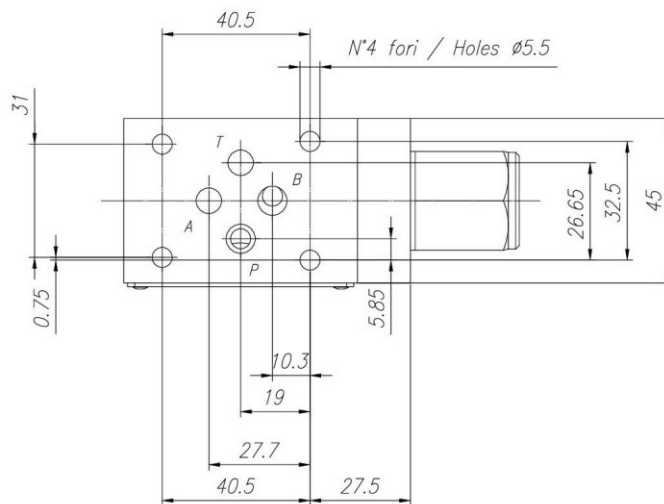
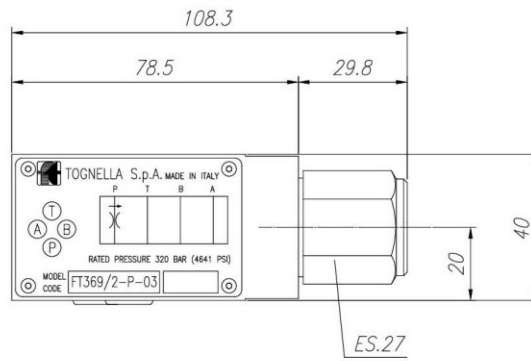


N°4 Guarnizioni / Gaskets  
OR 2037



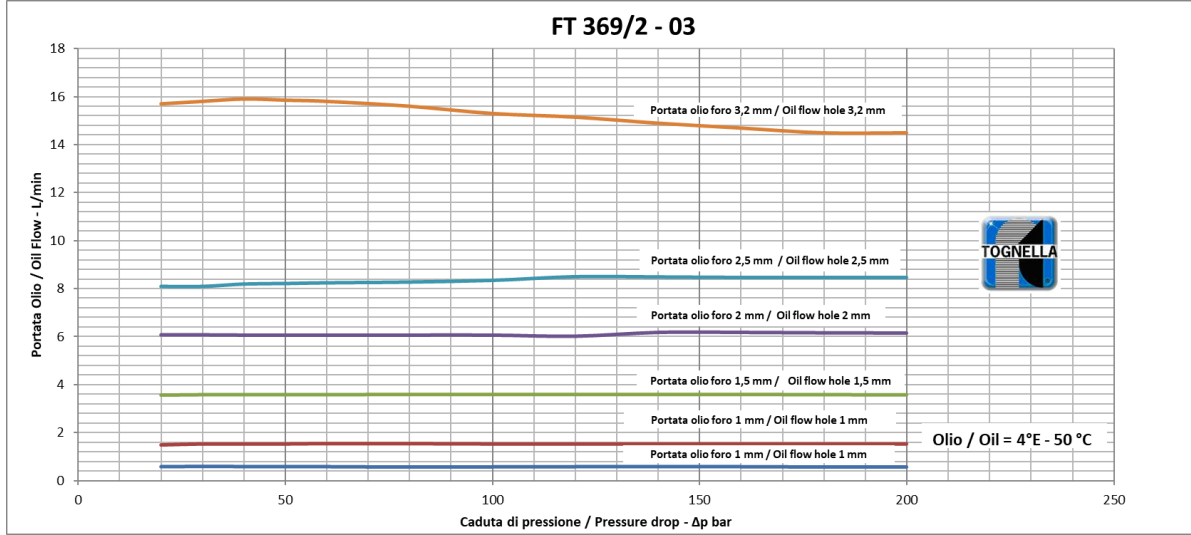


N°4 Guarnizioni / Gaskets  
OR 2037





## Flow rate curves



a