



Direct pressure relief valves Cetop 3

FT 379/3

Pressure relief stackable valves Cetop3, direct control, available with controlled flow on A-B-P or double A+B ports. Max. working pressure 320 Bar

Cetop 3 valves - NG6

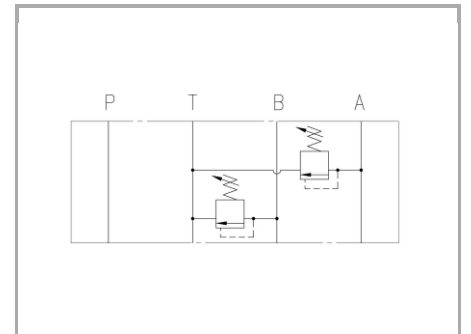
Pressure relief

Direct control

Carbon steel

Setting regulation field:

05=10-50 Bar | 10=50-150 Bar | 20=100-250 Bar



Technical information

Technical description

CETOP 03 modular plate direct pressure relief valves, ISO 4401, for superimposable mountings. Their function is to limit pressure inside the hydraulic circuit or pressure peaks generated during hydraulic actuators movement changes.

Materials

CORPO VALVOLA / BODY VALVE	Acciaio/Steel 11 S Mn Pb 37-UNI EN 10087
CORPO CARTUCCIA / CARTRIDGE BODY	Acciaio/Steel 11 S Mn Pb 37-UNI EN 10087
SPILO DI REGOLAZIONE / ADJUSTING NEEDLE	Acciaio legato/Alloy Steel
GUARNIZIONI / GASKETS	Di serie NBR - A richiesta FPM/Standard NBR-on demand FPM
ANELLI ANTIESTRUSIONE / ANTIEXTRUSION RINGS	PTFE
MANOPOLA TIPO MA / KNOB TYPE MA	Alluminio/Aluminum GD AISi12- UNI EN AB 46100



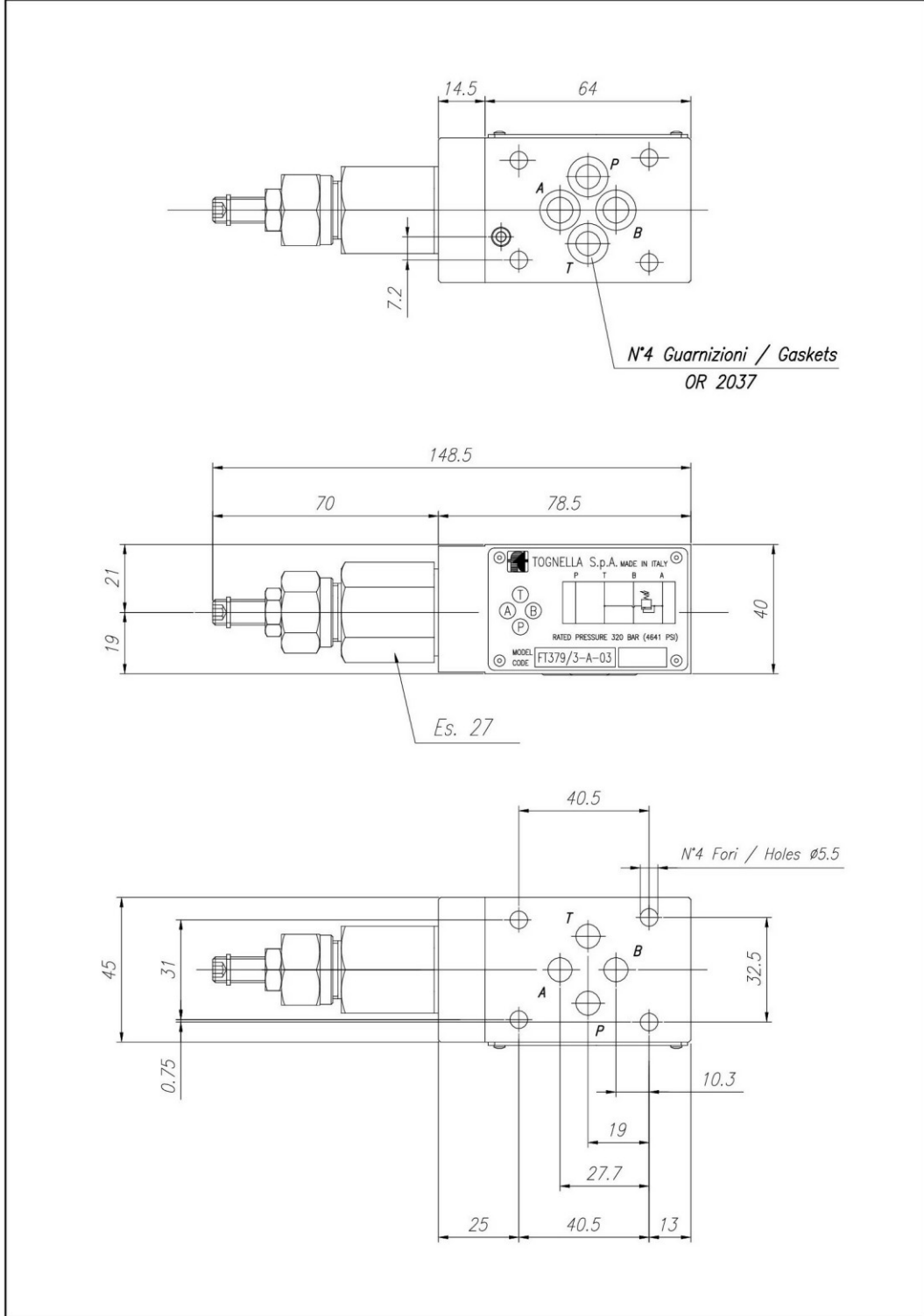
Technical data

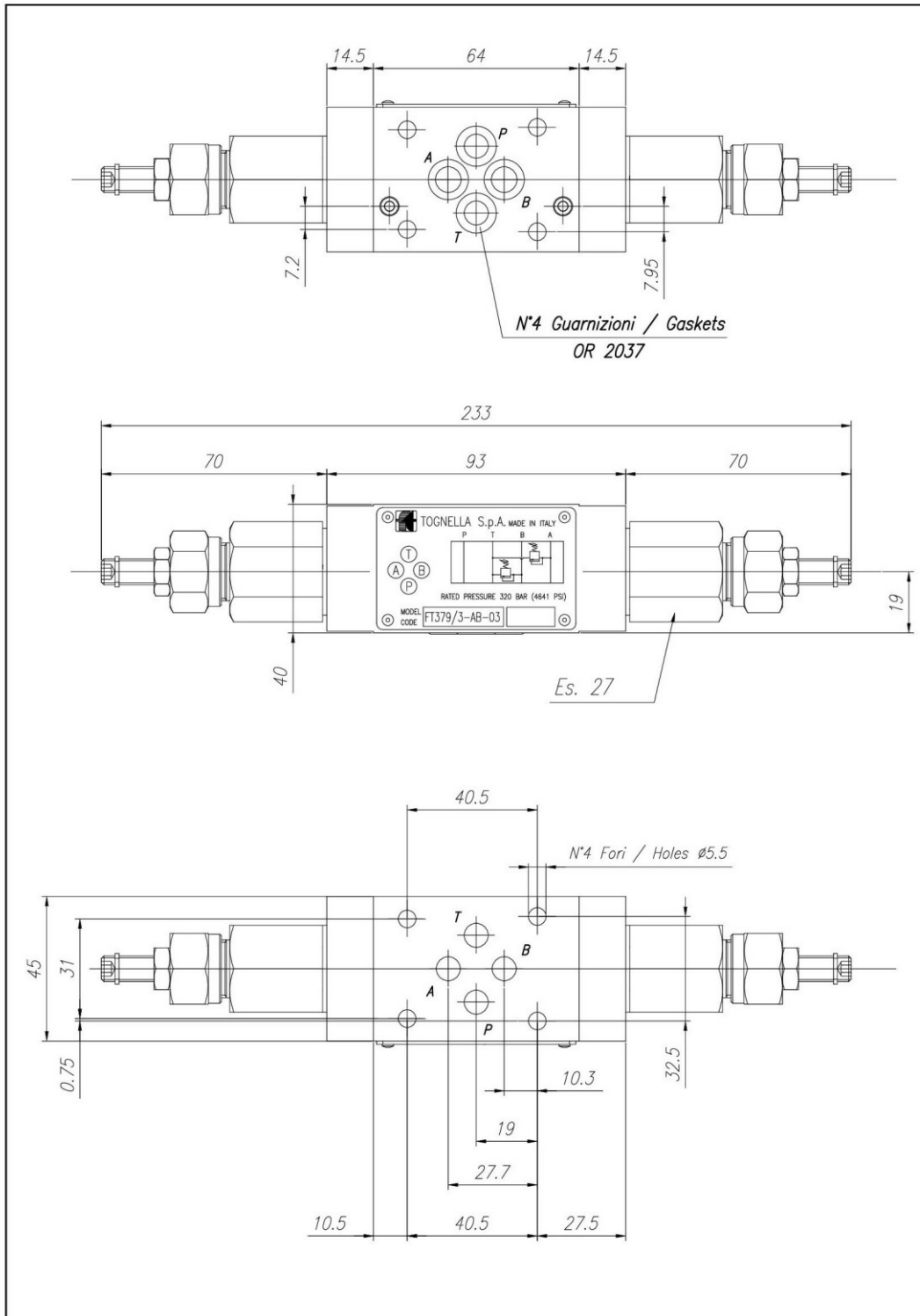
CAMPO REGOLAZIONE TARATURA SETTING REGULATION FIELD	
FT 379/3-03	05 = 10-50 Bar
	10 = 50-150 Bar
	20 = 100-250 Bar

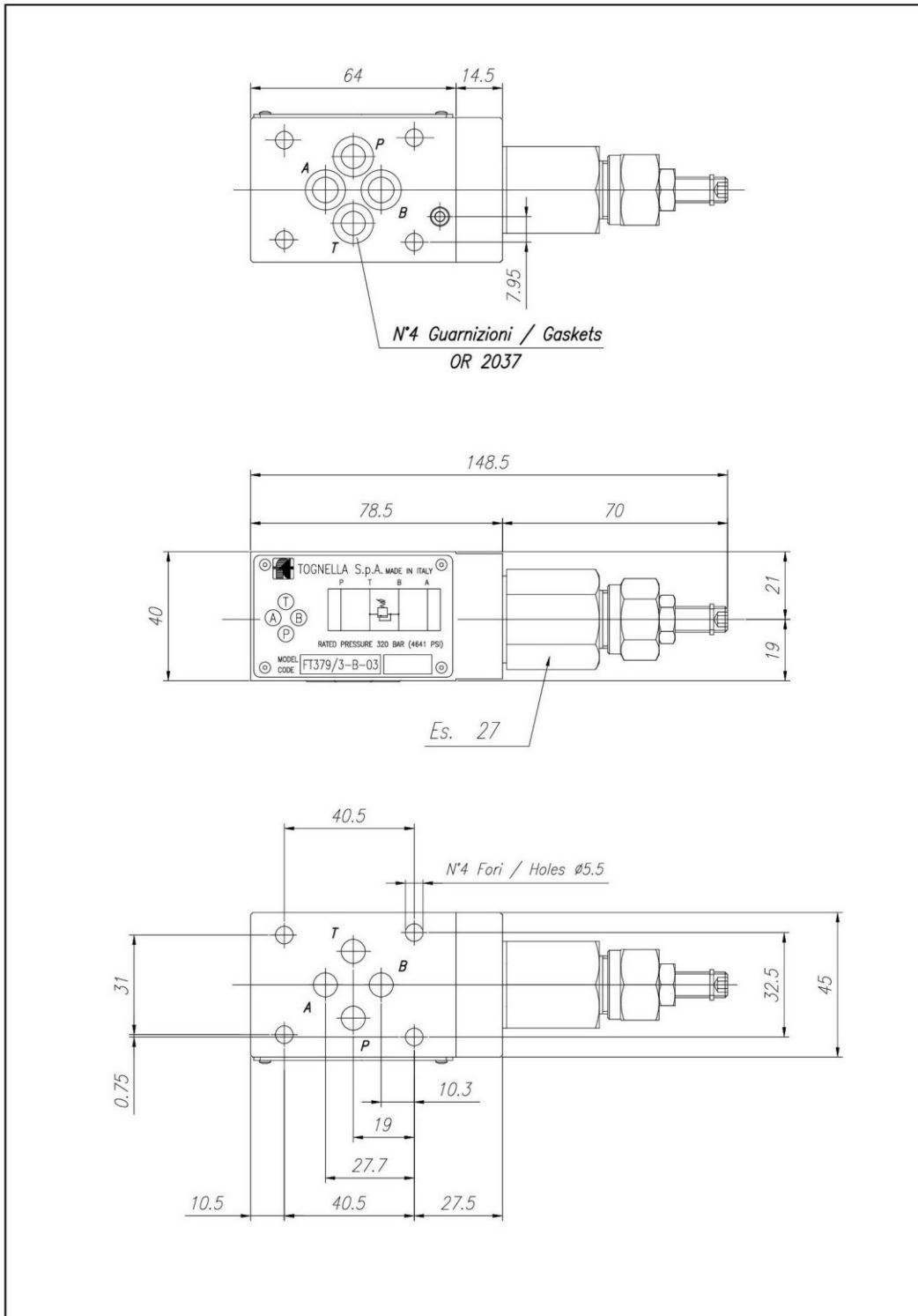
TIPO / TYPE	PRESSIONE ESERCIZIO BAR / WORKING PRESSURE BAR	TEMPERATURA ESERCIZIO / WORKING TEMPERATURE	CLASSE DI CONTAMINAZIONE FLUIDO / FLUID CONTAMINATION CLASS
A	320	-20°C/+80°C	ISO 4406 19/17/14
AB	320	-20°C/+80°C	ISO 4406 19/17/14
B	320	-20°C/+80°C	ISO 4406 19/17/14
P	320	-20°C/+80°C	ISO 4406 19/17/14

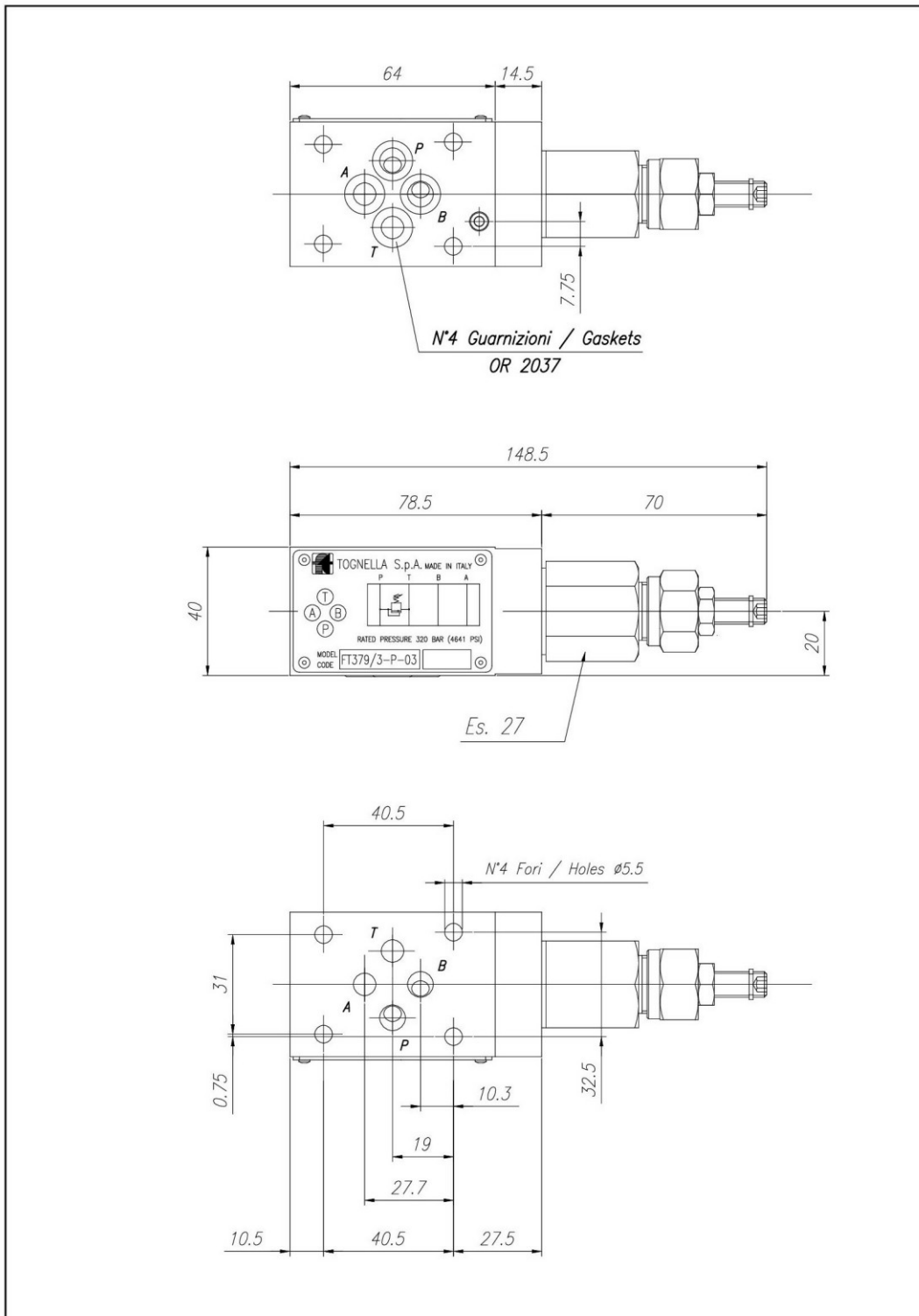


Dimensional tables and drawings



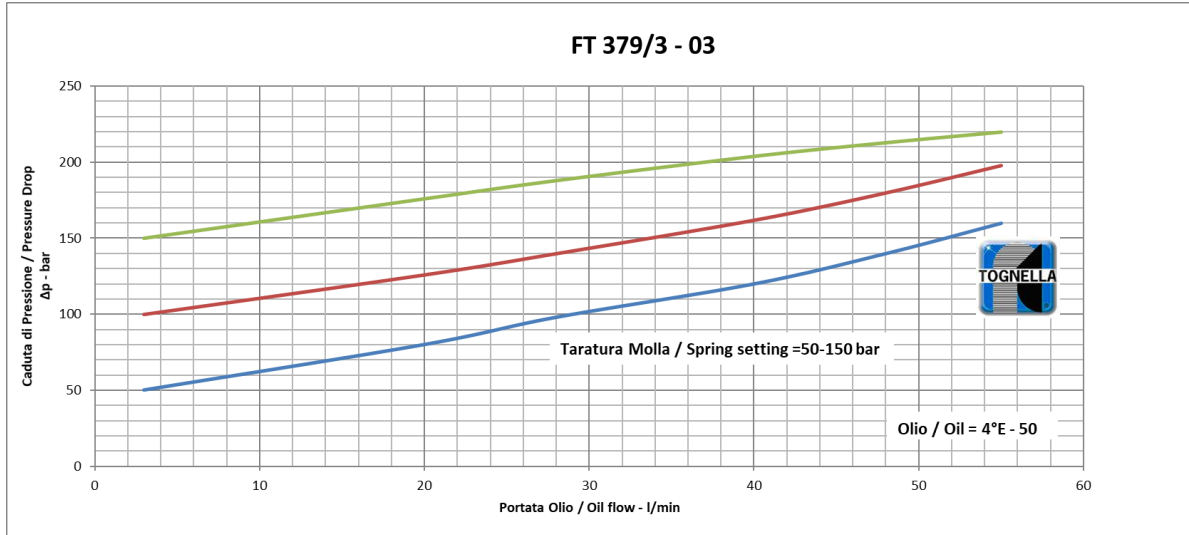








Flow rate curves



Q

