



## Double-acting flow control valves Cetop 5 - ADJUSTMENT HANDWHEEL

### FT 357/2

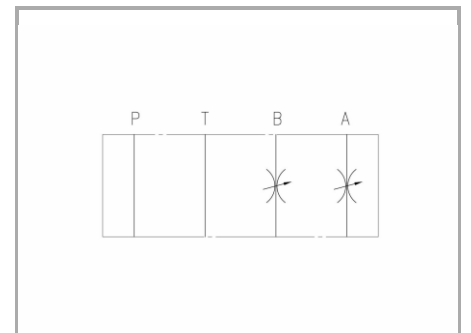
Double-acting flow control stackable valves Cetop5, available with controlled flow A-B-P-T or double A+B ports. Max. working pressure 320 Bar, oil flow rate up to 45 Lt./min.

**Cetop 5 valves - NG10**

**Flow control**

**Double-acting control**

**Carbon steel**



## Technical information

### Technical description

Flow rate control valve, not compensated, for modular mounting with subplate surface according to ISO 4401-05. It permits a fine fluid regulation in two directions even with low flow rate. The version with handwheel for flow regulation allows its locking thanks to the the screw it is equipped with. Flow rate 45L/min.

### Materials

|  |  |
|--|--|
| <b>CORPO VALVOLA / BODY VALVE</b>                  | <b>Acciaio/Steel 11 S Mn Pb 37-UNI EN 10087</b>                  |
| <b>CORPO CARTUCCIA / CARTRIDGE BODY</b>            | <b>Acciaio/Steel 11 S Mn Pb 37-UNI EN 10087</b>                  |
| <b>SPILO DI REGOLAZIONE / ADJUSTING NEEDLE</b>     | <b>Acciaio legato/Alloy Steel</b>                                |
| <b>GUARNIZIONI / GASKETS</b>                       | <b>Di serie NBR - A richiesta FPM/Standard NBR-on demand FPM</b> |
| <b>ANELLI ANTIESTRUSIONE / ANTIEXTRUSION RINGS</b> | <b>PTFE</b>  |
| <b>MANOPOLA TIPO MA / KNOB TYPE MA</b>             | <b>Alluminio/Aluminum GD AISi12- UNI EN AB 46100</b>             |

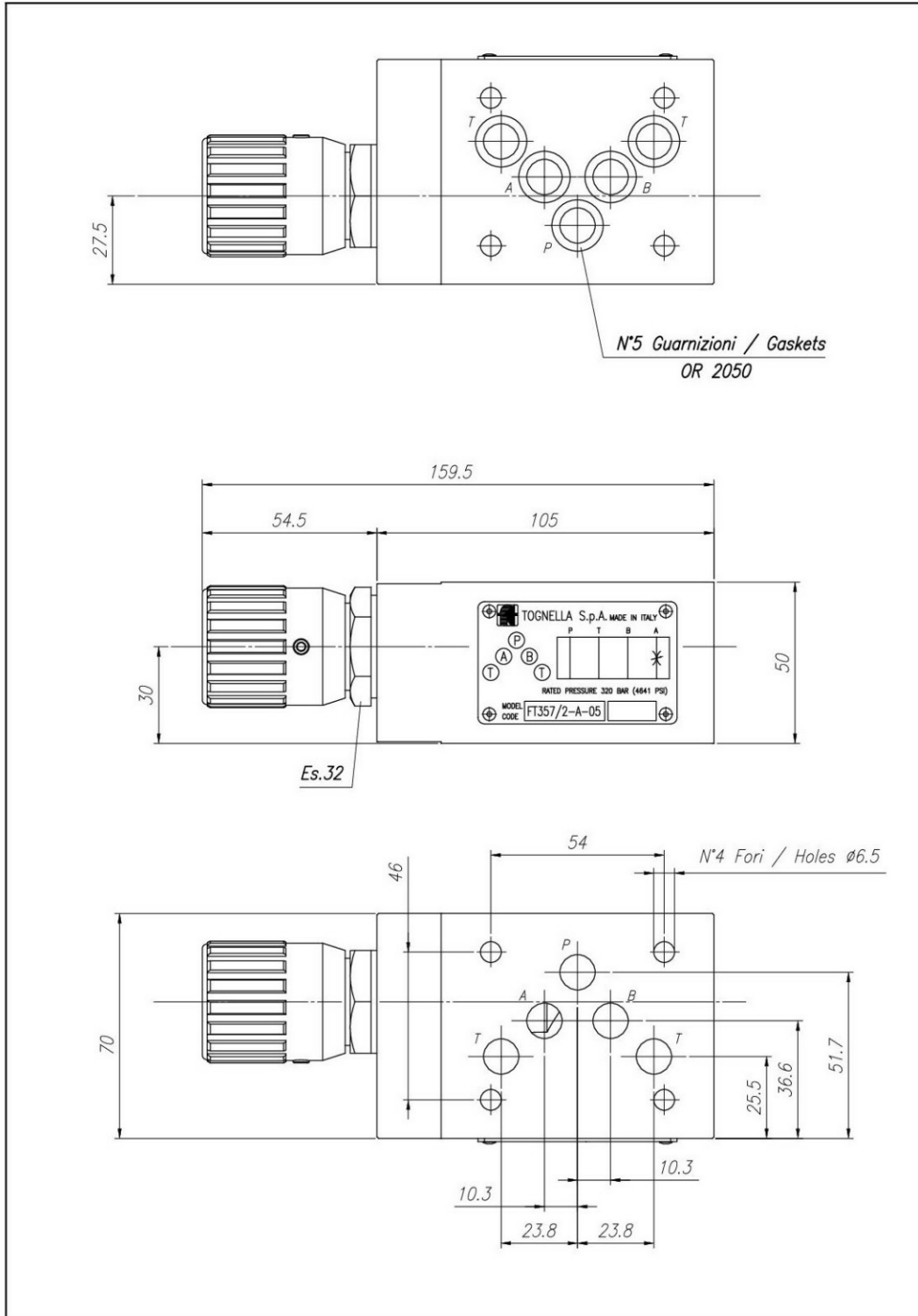


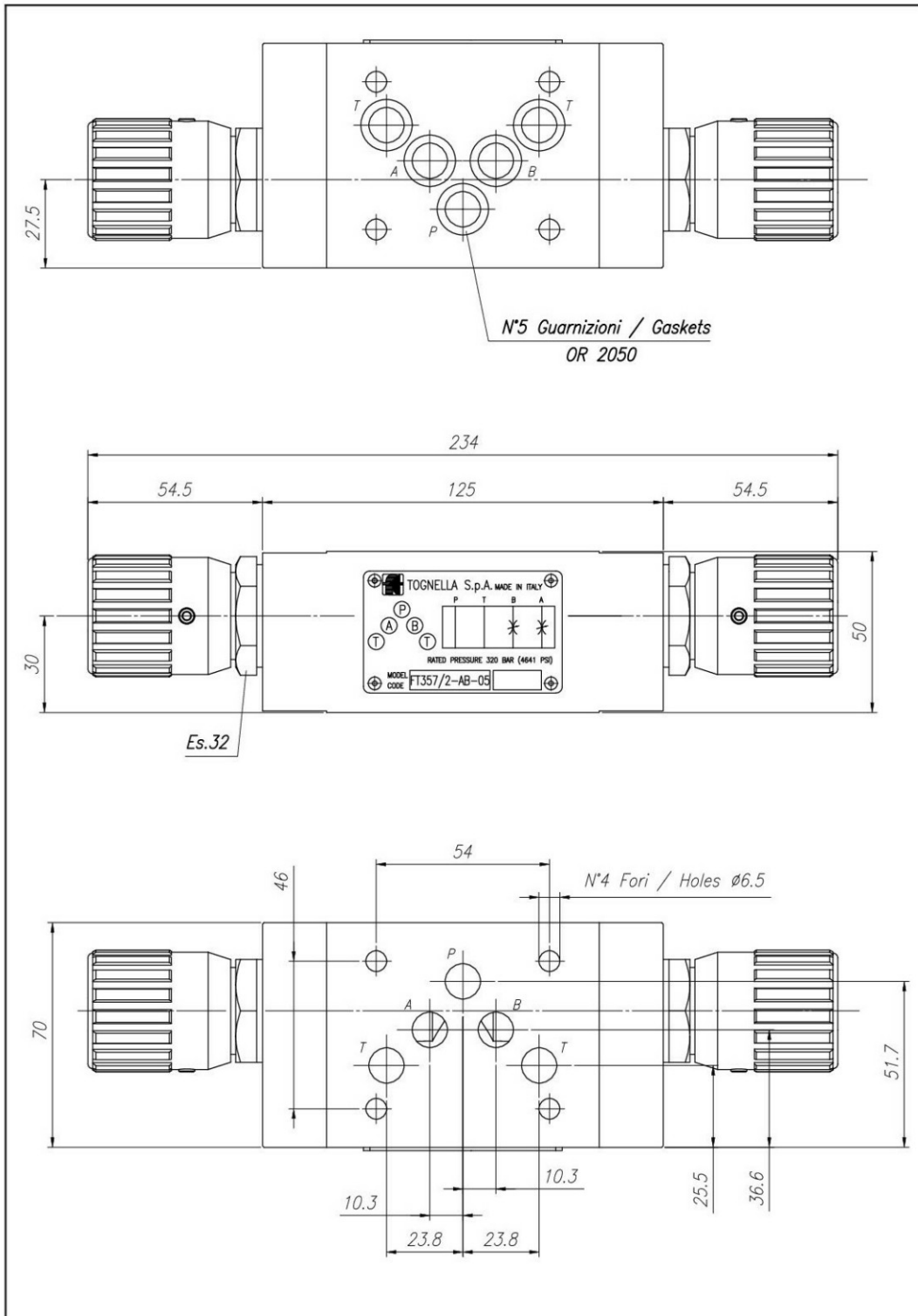
## Technical data

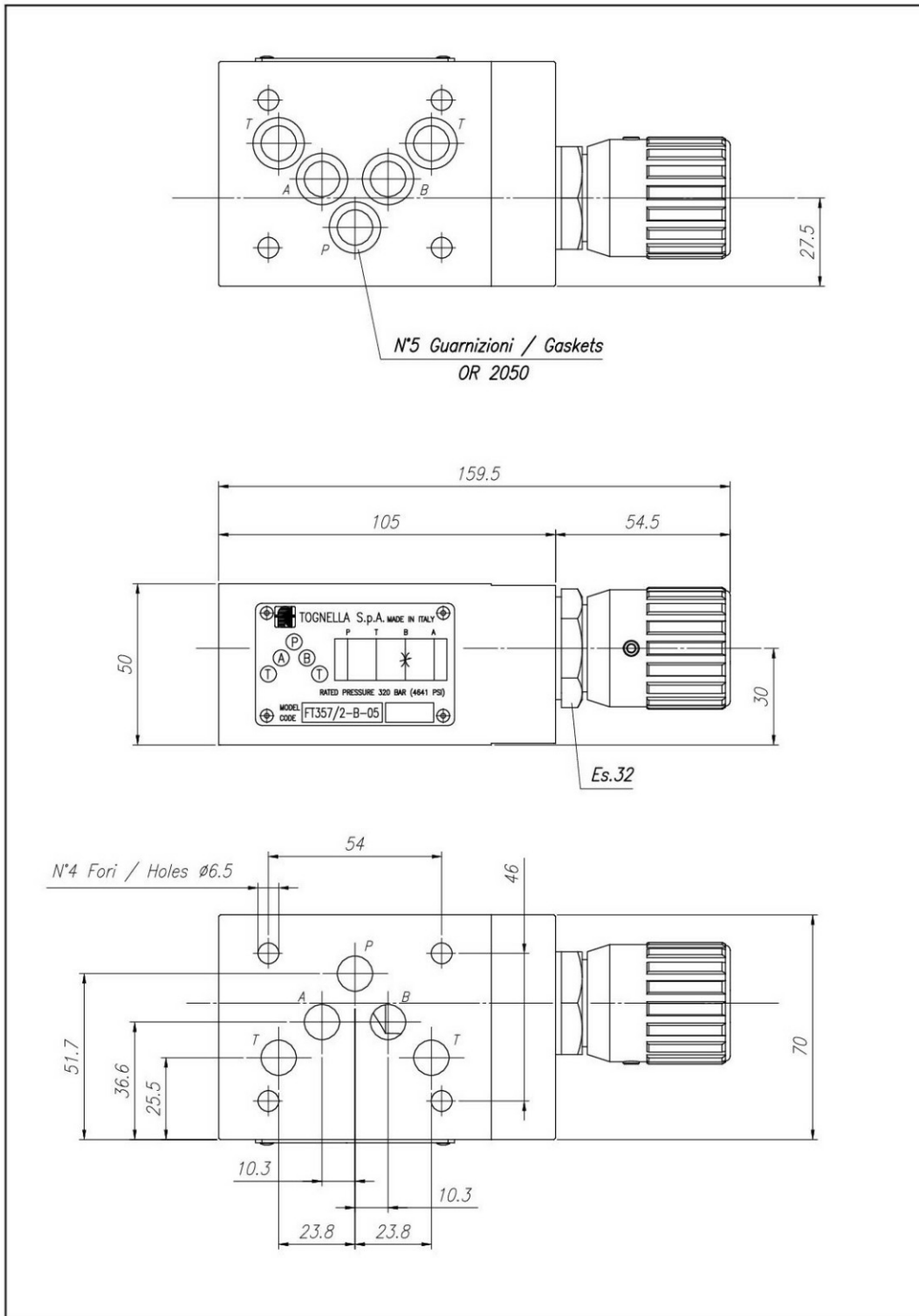
| TIPO / TYPE | PRESSIONE<br>ESERCIZIO BAR /<br>WORKING<br>PRESSURE BAR | TEMPERATURA<br>ESERCIZIO /<br>WORKING<br>TEMPERATURE | CLASSE DI<br>CONTAMINAZIONE<br>FLUIDO / FLUID<br>CONTAMINATION CLASS |
|-------------|---|--|--|
| A           | 320   | -20°C/+80°C  | ISO 4406 19/17/14  |
| AB          | 320   | -20°C/+80°C  | ISO 4406 19/17/14  |
| B           | 320   | -20°C/+80°C  | ISO 4406 19/17/14  |
| P           | 320   | -20°C/+80°C  | ISO 4406 19/17/14  |
| T           | 320   | -20°C/+80°C  | ISO 4406 19/17/14  |

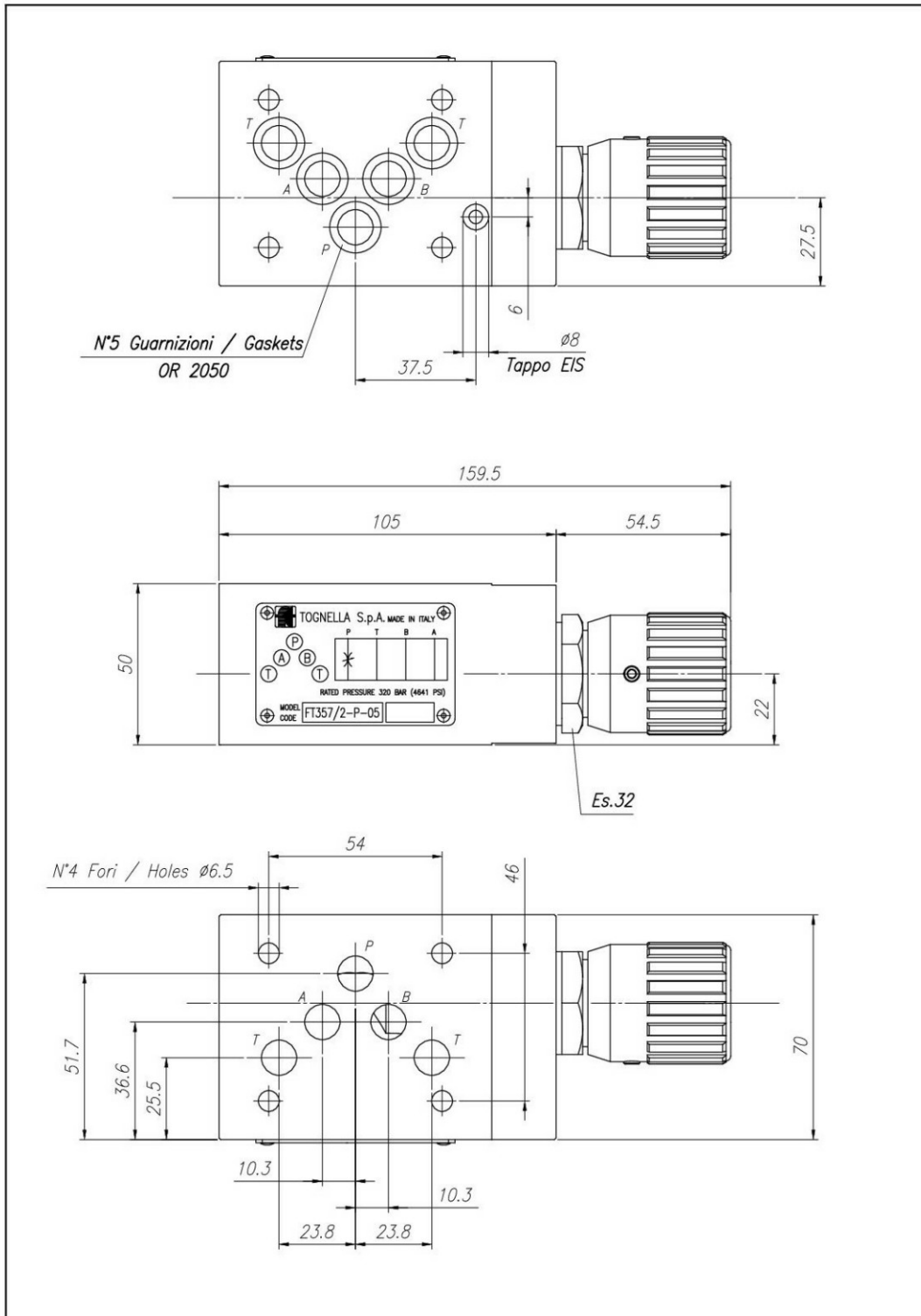


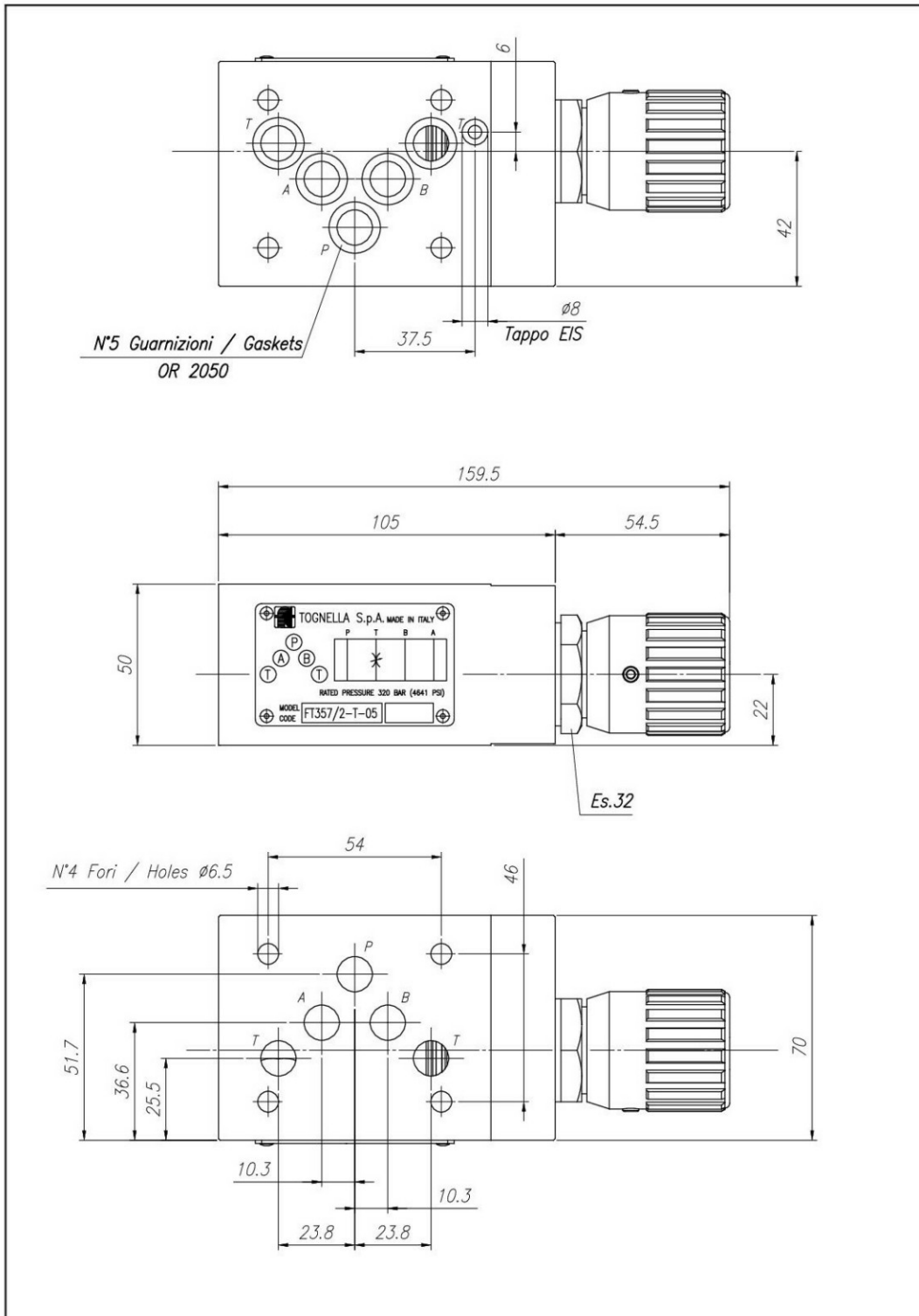
## Dimensional tables and drawings













## Flow rate curves

