



Double-acting flow control valves Cetop 5

FT 358/2

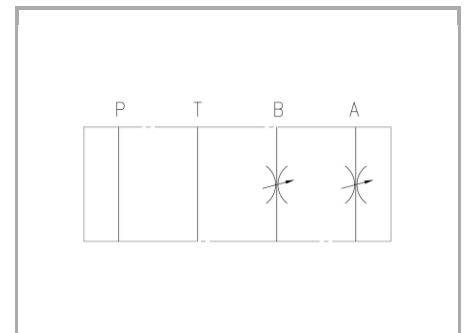
Double-acting flow control stackable valves Cetop 5 available with controlled flow on A-B-P or double A+B ports, max. working pressure 320 Bar, adjustable oil flow rate from 3 to 45 Lt./min.

Cetop 5 valves - NG10

Flow control

Double-acting control

Carbon steel



Technical information

Technical description

Flow rate control valve, not compensated, for modular mounting with subplate surface according to ISO 4401-05. It allows a fine fluid regulation in two directions even with flow rate. The version with handwheel, equipped with locking nut, for flow rate. Flow rate 45L/min.

Materials

CORPO VALVOLA / BODY VALVE	Acciaio/Steel 11 S Mn Pb 37-UNI EN 10087
CORPO CARTUCCIA / CARTRIDGE BODY	Acciaio/Steel 11 S Mn Pb 37-UNI EN 10087
SPILO DI REGOLAZIONE / ADJUSTING NEEDLE	Acciaio legato/Alloy Steel
GUARNIZIONI / GASKETS	Di serie NBR - A richiesta FPM/Standard NBR-on demand FPM
ANELLI ANTIESTRUSIONE / ANTIEXTRUSION RINGS	PTFE
MANOPOLA TIPO MA / KNOB TYPE MA	Alluminio/Aluminum GD AISi12- UNI EN AB 46100

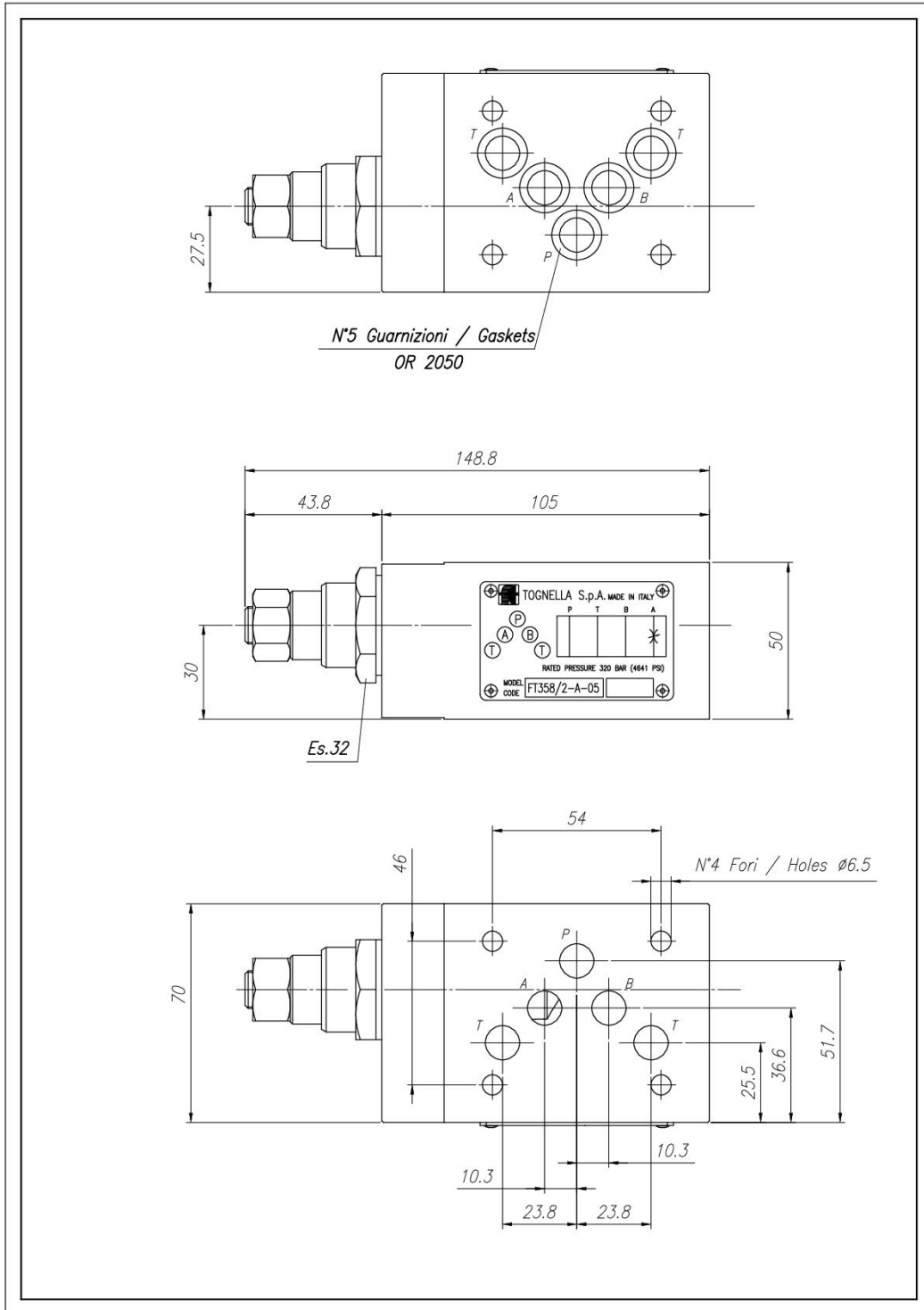


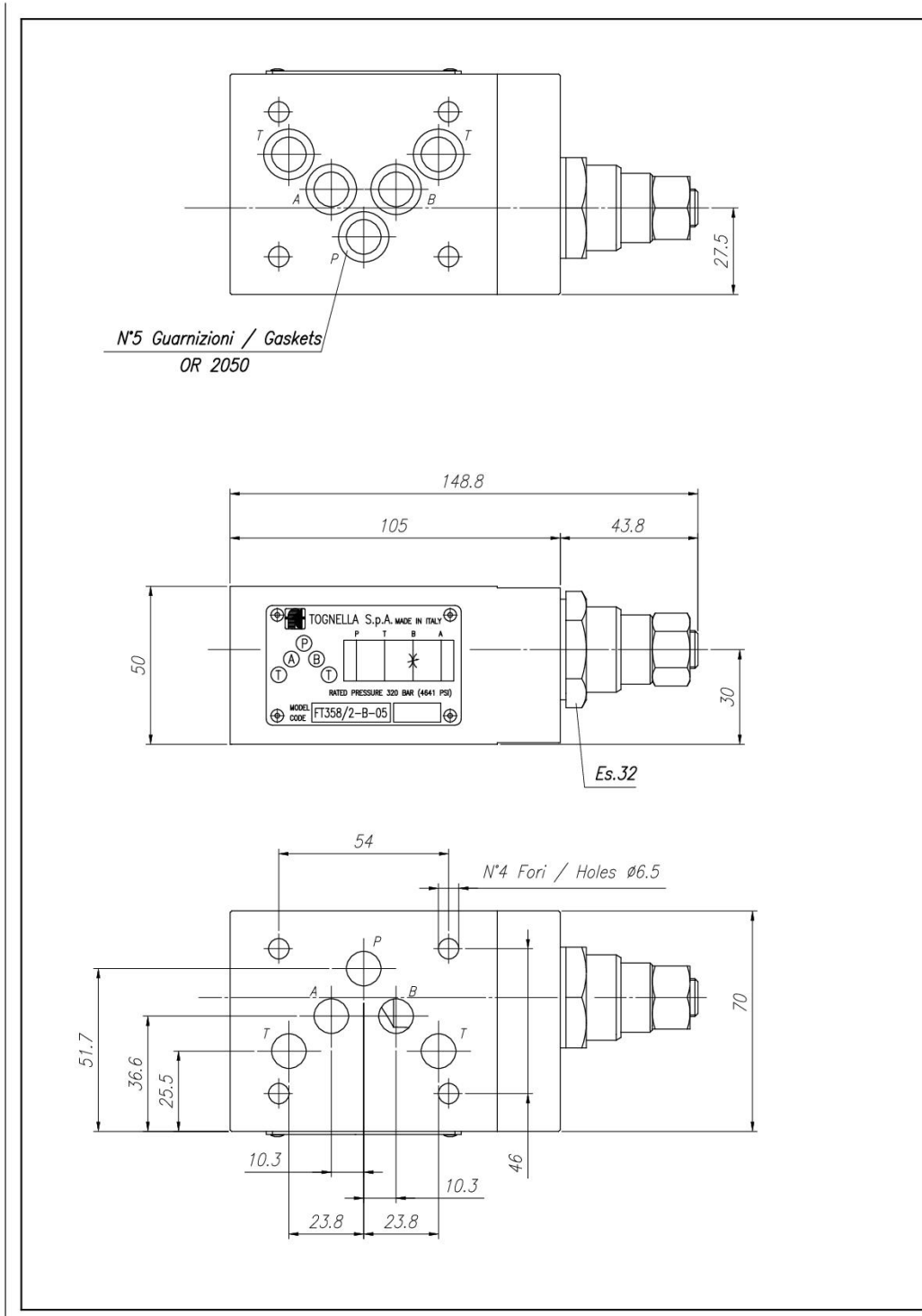
Technical data

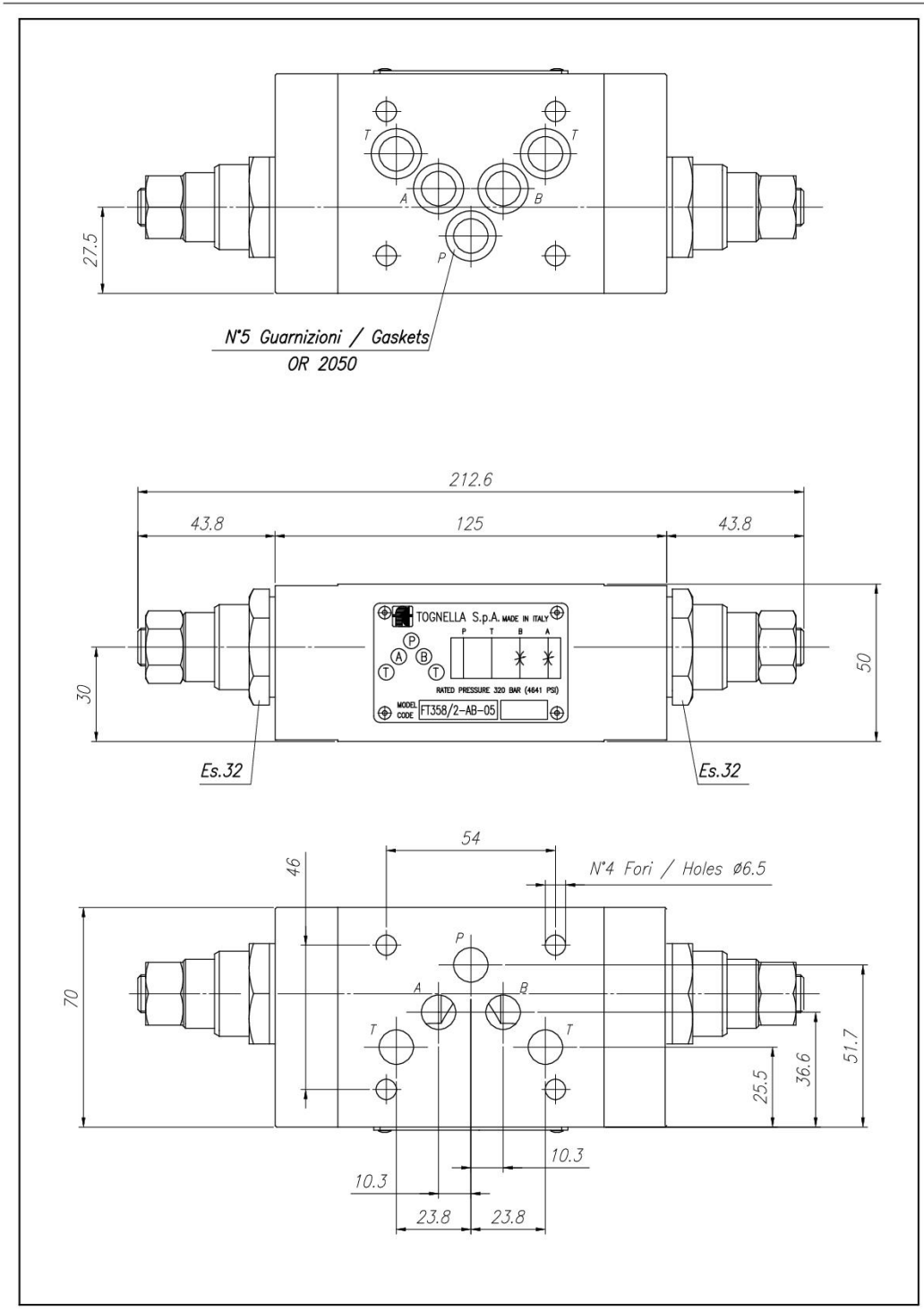
TIPO / TYPE	PRESSIONE ESERCIZIO BAR / WORKING PRESSURE BAR	TEMPERATURA ESERCIZIO / WORKING TEMPERATURE	CLASSE DI CONTAMINAZIONE FLUIDO / FLUID CONTAMINATION CLASS
A	320	-20°C/+80°C	ISO 4406 19/17/14
AB	320	-20°C/+80°C	ISO 4406 19/17/14
B	320	-20°C/+80°C	ISO 4406 19/17/14
P	320	-20°C/+80°C	ISO 4406 19/17/14
T	320	-20°C/+80°C	ISO 4406 19/17/14

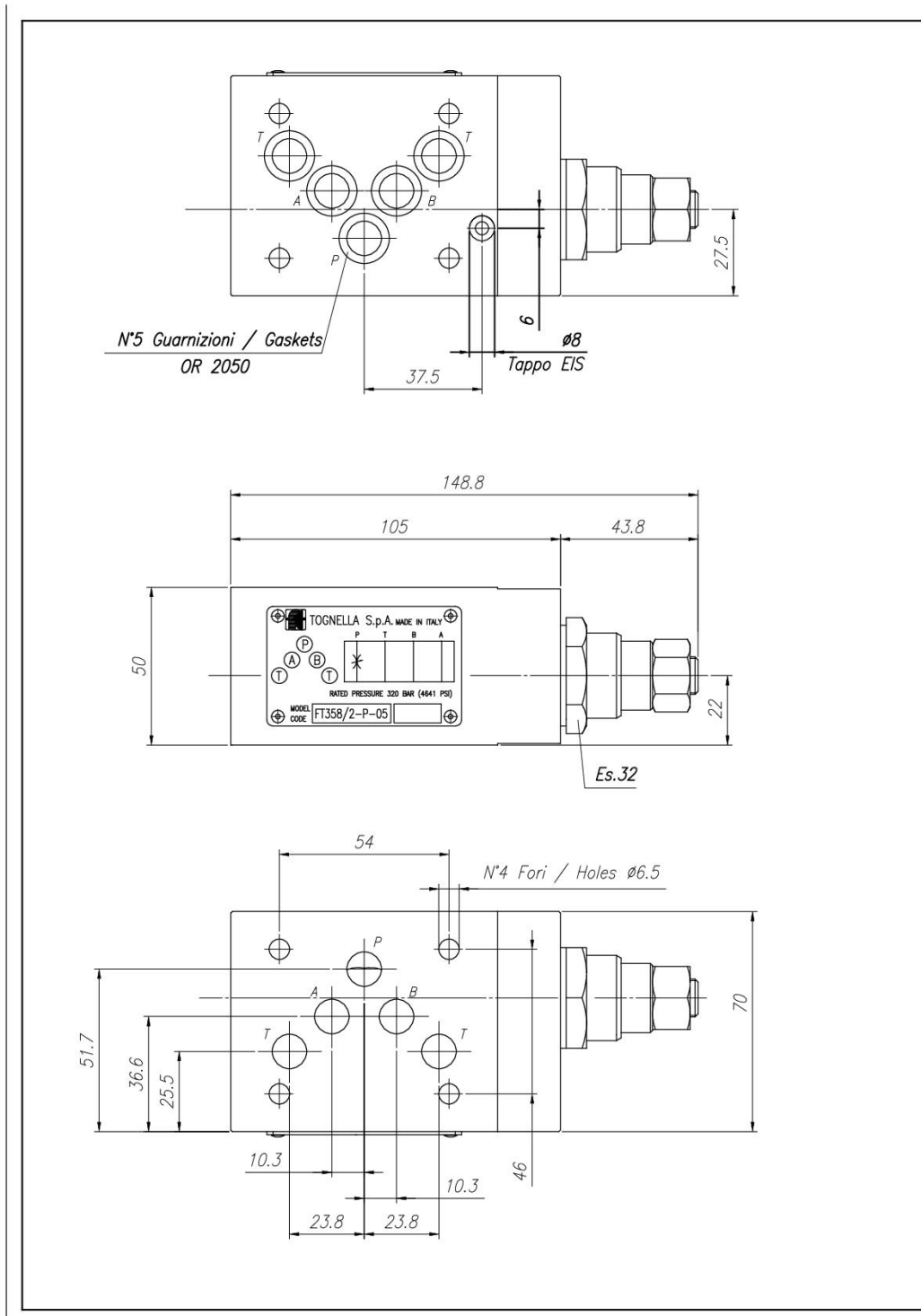


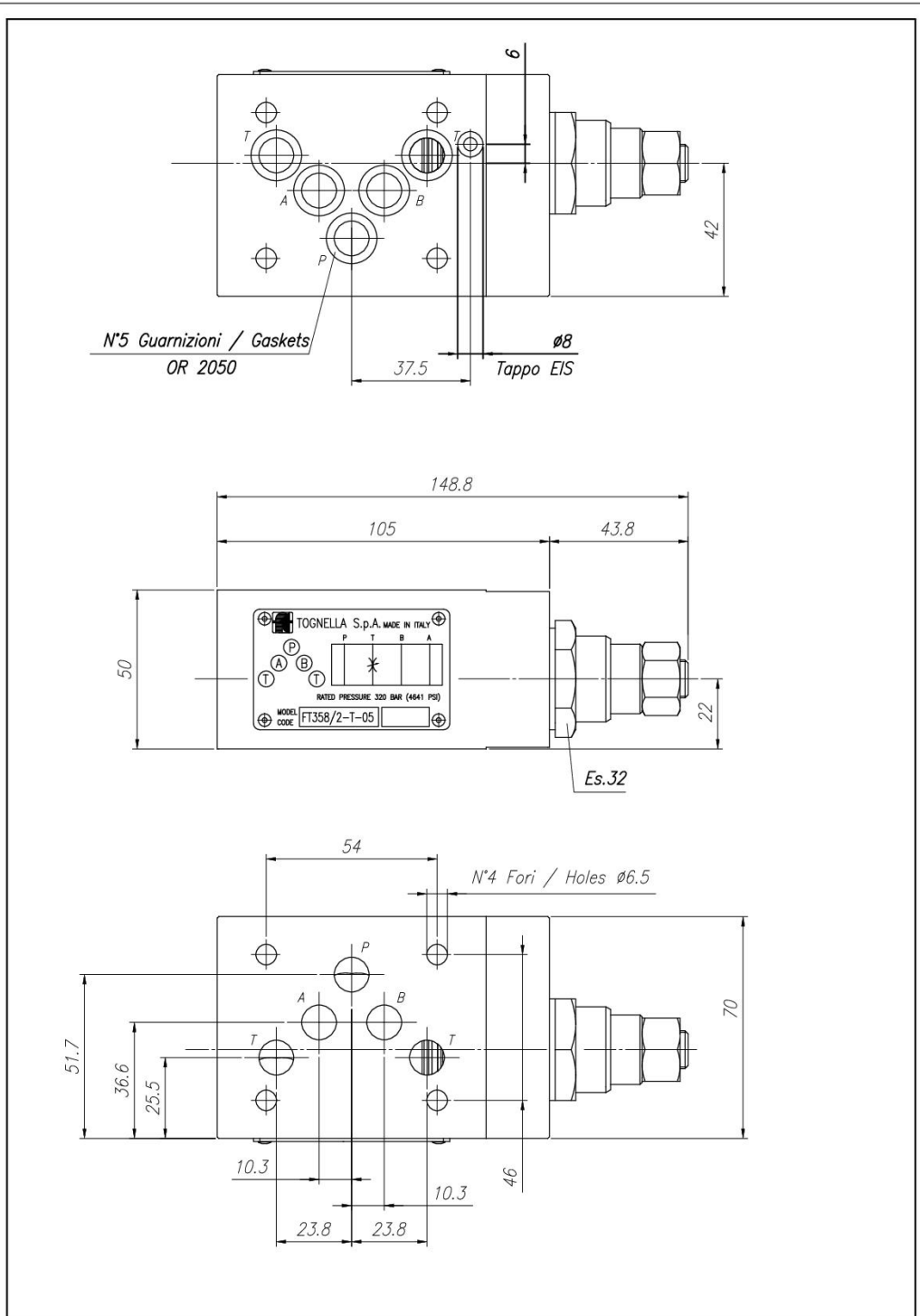
Dimensional tables and drawings













Flow rate curves

