

## Single-acting flow control valves Cetop 5 - ADJUSTMENT HANDWHEEL

### FT 357/5

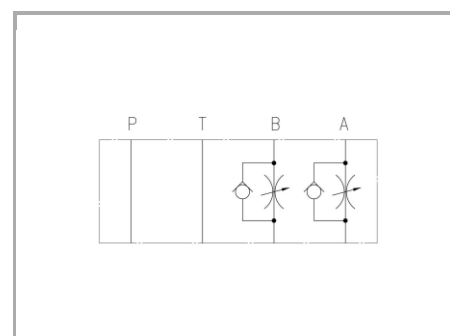
Single-acting flow control stackable valves Cetop5 available with controlled flow on A-B or double A+B ports, max. working pressure 320 bar, adjustable oil flow rate from 3 to 45 Lt./min.

**Cetop 5 valves - NG10**

**Flow control**

**Single-acting control (Meter-in)**

**Carbon steel**



## Technical information

### Technical description

Flow rate control valve, not compensated, for modular mounting with subplate surface according to ISO 4401-05. It permits a fine fluid regulation in one direction even with minimum flow rate, allowing the free flow in the opposite direction. Single regulation available on A or B or double A+B. Version with handwheel for flow rate allows its locking thanks to the screw it is equipped with. Flow rate 65L./min.

### Materials

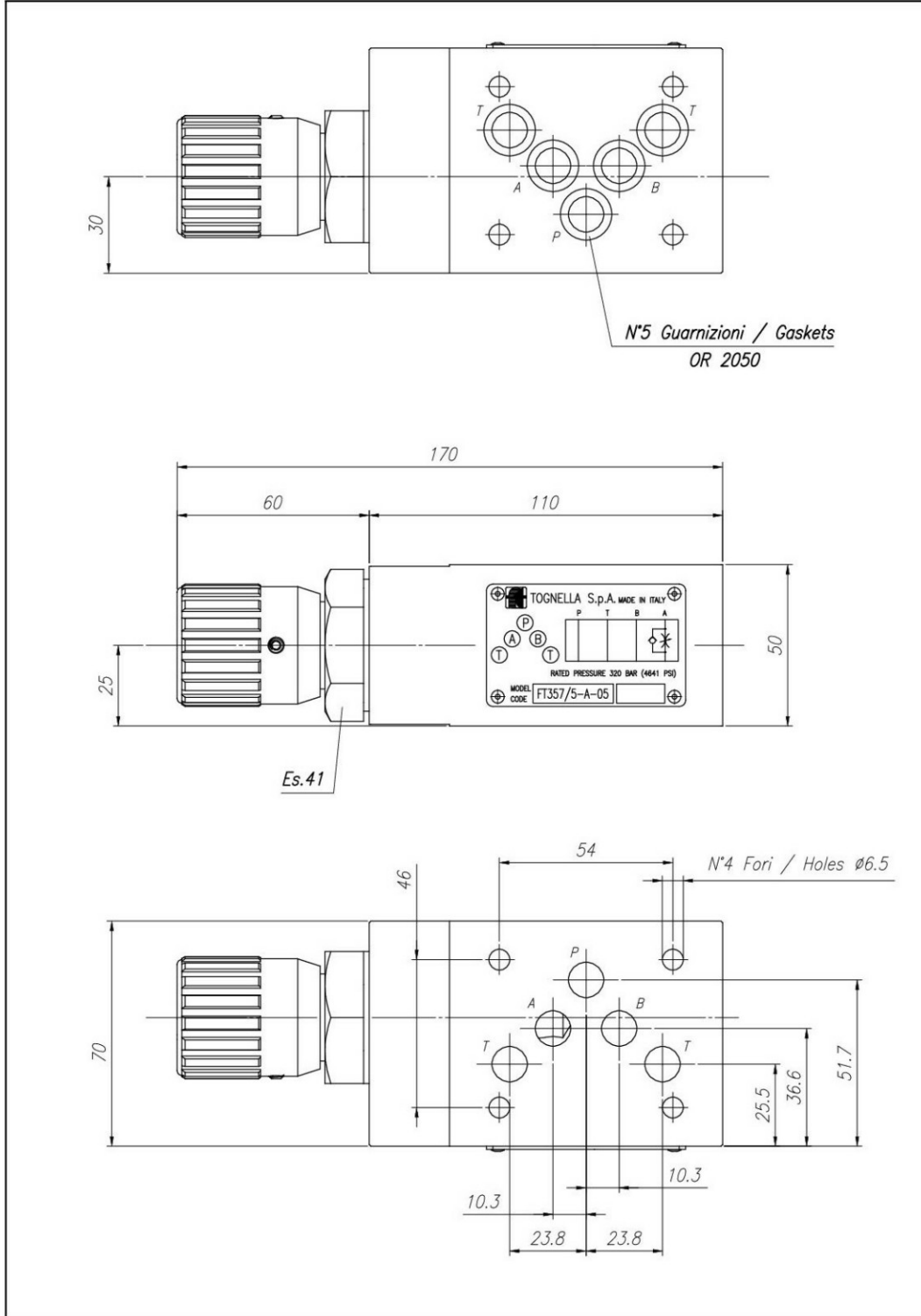
|   |   |
|---|---|
| CORPO VALVOLA / BODY VALVE                  | Acciaio/Steel 11 S Mn Pb 37-UNI EN 10087                  |
| CORPO CARTUCCIA / CARTRIDGE BODY            | Acciaio/Steel 11 S Mn Pb 37-UNI EN 10087                  |
| SPILLO DI REGOLAZIONE / ADJUSTING NEEDLE    | Acciaio legato/Alloy Steel                                |
| GUARNIZIONI / GASKETS                       | Di serie NBR - A richiesta FPM/Standard NBR-on demand FPM |
| ANELLI ANTIESTRUSIONE / ANTIEXTRUSION RINGS | PTFE  |
| MANOPOLA TIPO MA / KNOB TYPE MA             | Alluminio/Aluminum GD AlSi12- UNI EN AB 46100             |

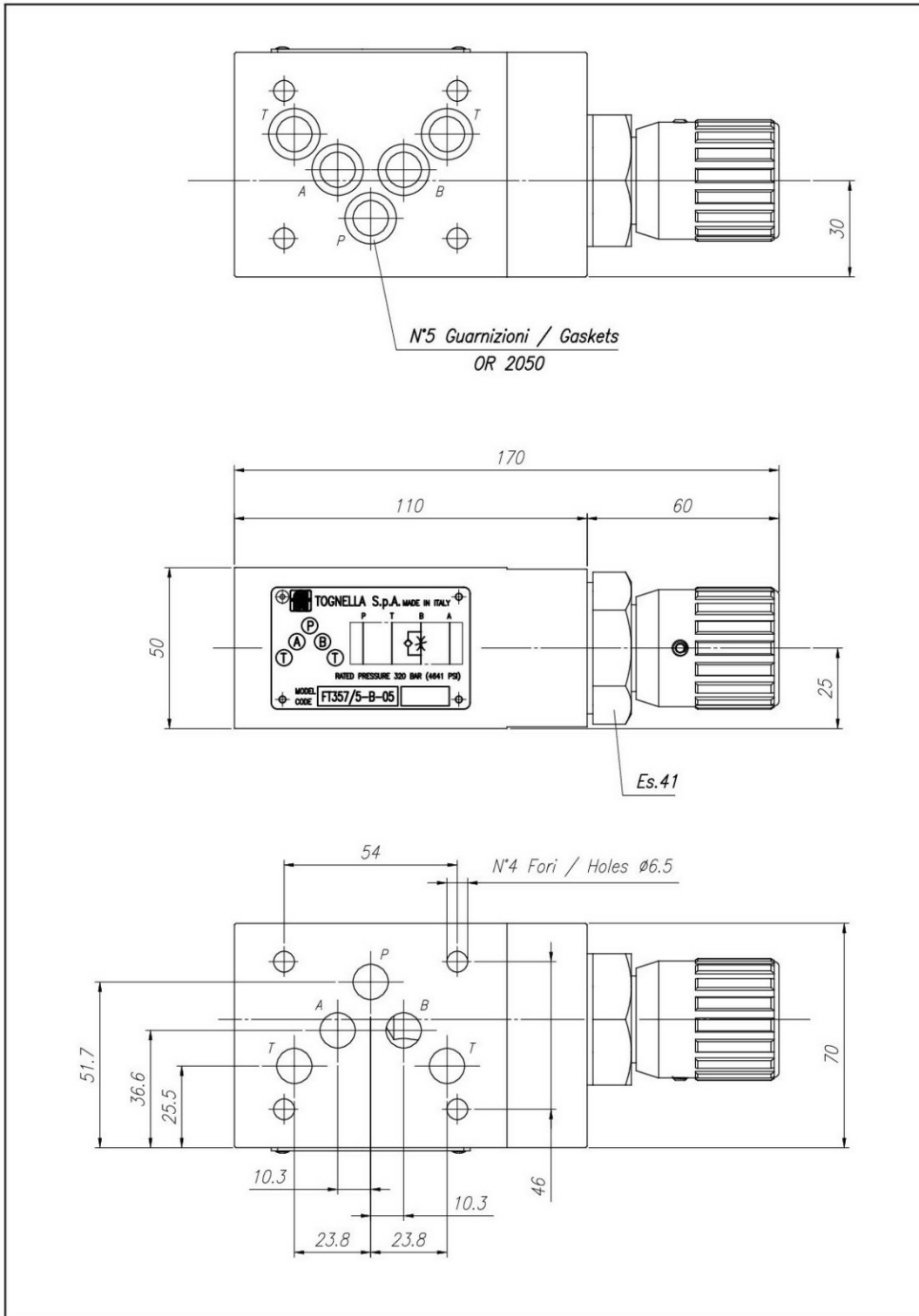
### Technical data

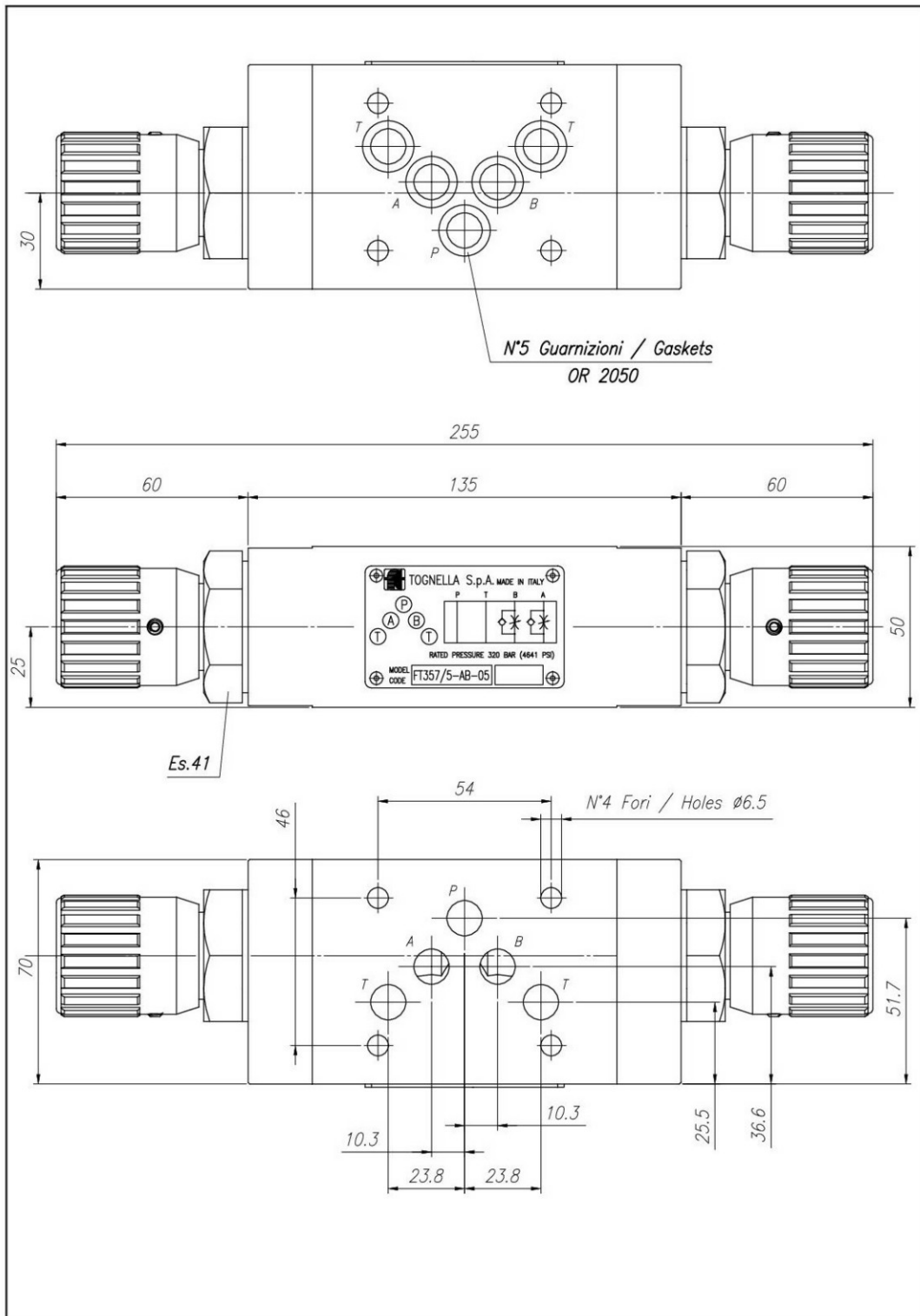
| TIPO / TYPE | PRESSIONE ESERCIZIO BAR / WORKING PRESSURE BAR | TEMPERATURA ESERCIZIO / WORKING TEMPERATURE | CLASSE DI CONTAMINAZIONE FLUIDO / FLUID CONTAMINATION CLASS |
|-------------|--|---|---|
| A           | 320  | -20°C/+80°C                                 | ISO 4406 19/17/14   |
| AB          | 320  | -20°C/+80°C                                 | ISO 4406 19/17/14   |
| B           | 320  | -20°C/+80°C                                 | ISO 4406 19/17/14   |



## Dimensional tables and drawings









## Flow rate curves

