



Single-acting flow control valves Cetop 5 - ADJUSTMENT HANDWHEEL

FT 357/5

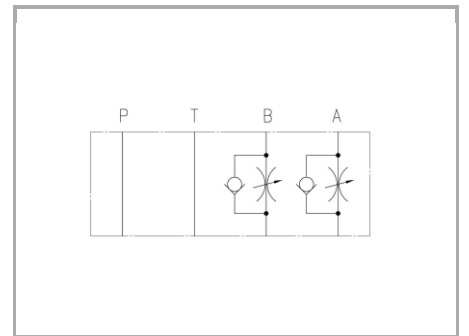
Single-acting flow control stackable valves Cetop5 available with controlled flow on A-B or double A+B ports, max. working pressure 320 bar, adjustable oil flow rate from 3 to 45 Lt./min.

Cetop 5 valves - NG10

Flow control

Single-acting control (Meter-out)

Carbon steel



Technical information

Technical description

Flow rate control valve, not compensated, for modular mounting with subplate surface according to ISO 4401-05, It permits a fine fluid regulation in one direction even with low flow rate, allowing free flow in the opposite direction. Single regulation available on A or B or double A+B. Version with handwheel for flow regulation allows its locking thanks to the screw it is equipped with. Flow rate 65L/min.

Materials

CORPO VALVOLA / BODY VALVE	Acciaio/Steel 11 S Mn Pb 37-UNI EN 10087
CORPO CARTUCCIA / CARTRIDGE BODY	Acciaio/Steel 11 S Mn Pb 37-UNI EN 10087
SPILO DI REGOLAZIONE / ADJUSTING NEEDLE	Acciaio legato/Alloy Steel
GUARNIZIONI / GASKETS	Di serie NBR - A richiesta FPM/Standard NBR-on demand FPM
ANELLI ANTIESTRUSIONE / ANTIEXTRUSION RINGS	PTFE
MANOPOLA TIPO MA / KNOB TYPE MA	Alluminio/Aluminum GD AISi12- UNI EN AB 46100

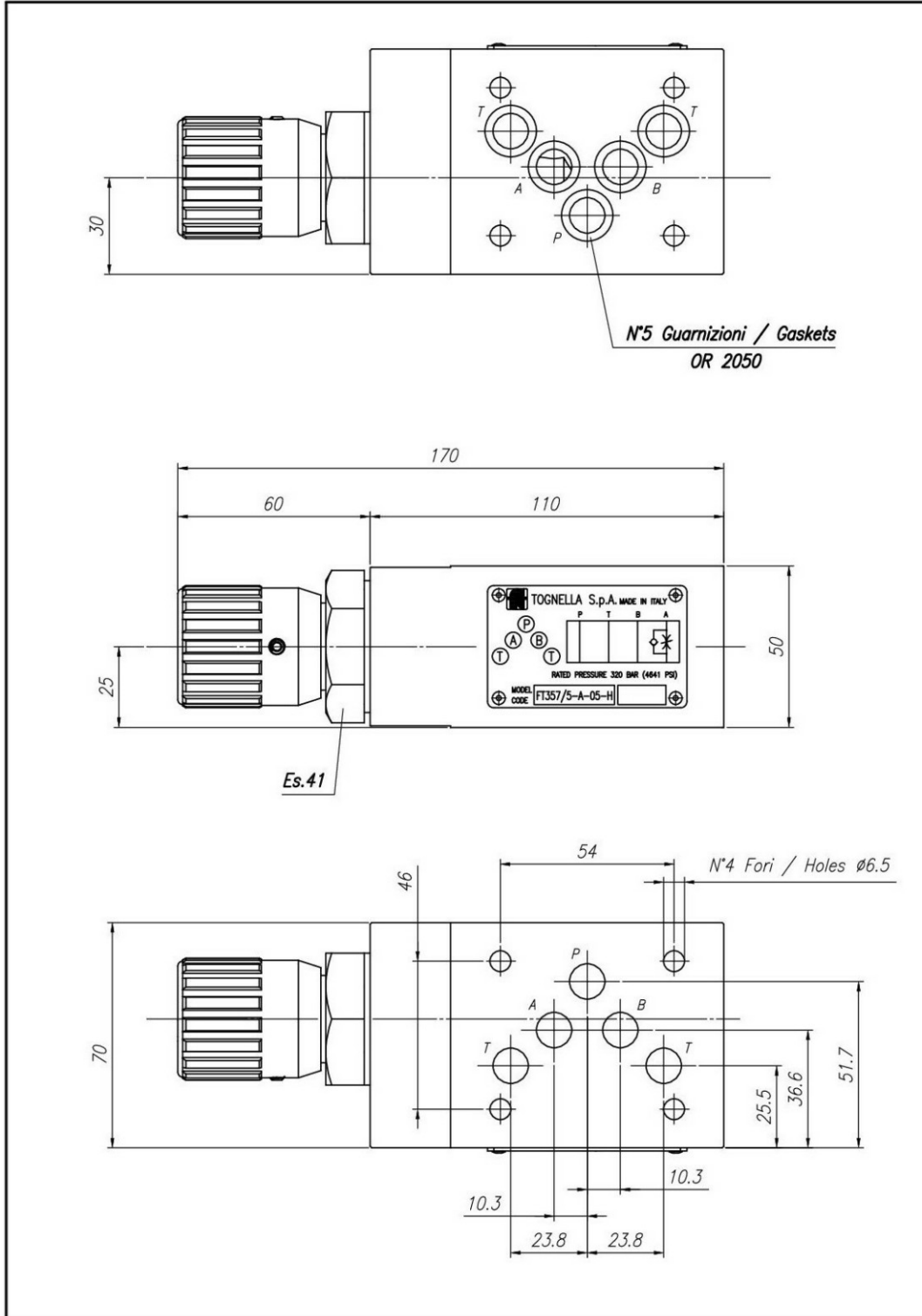


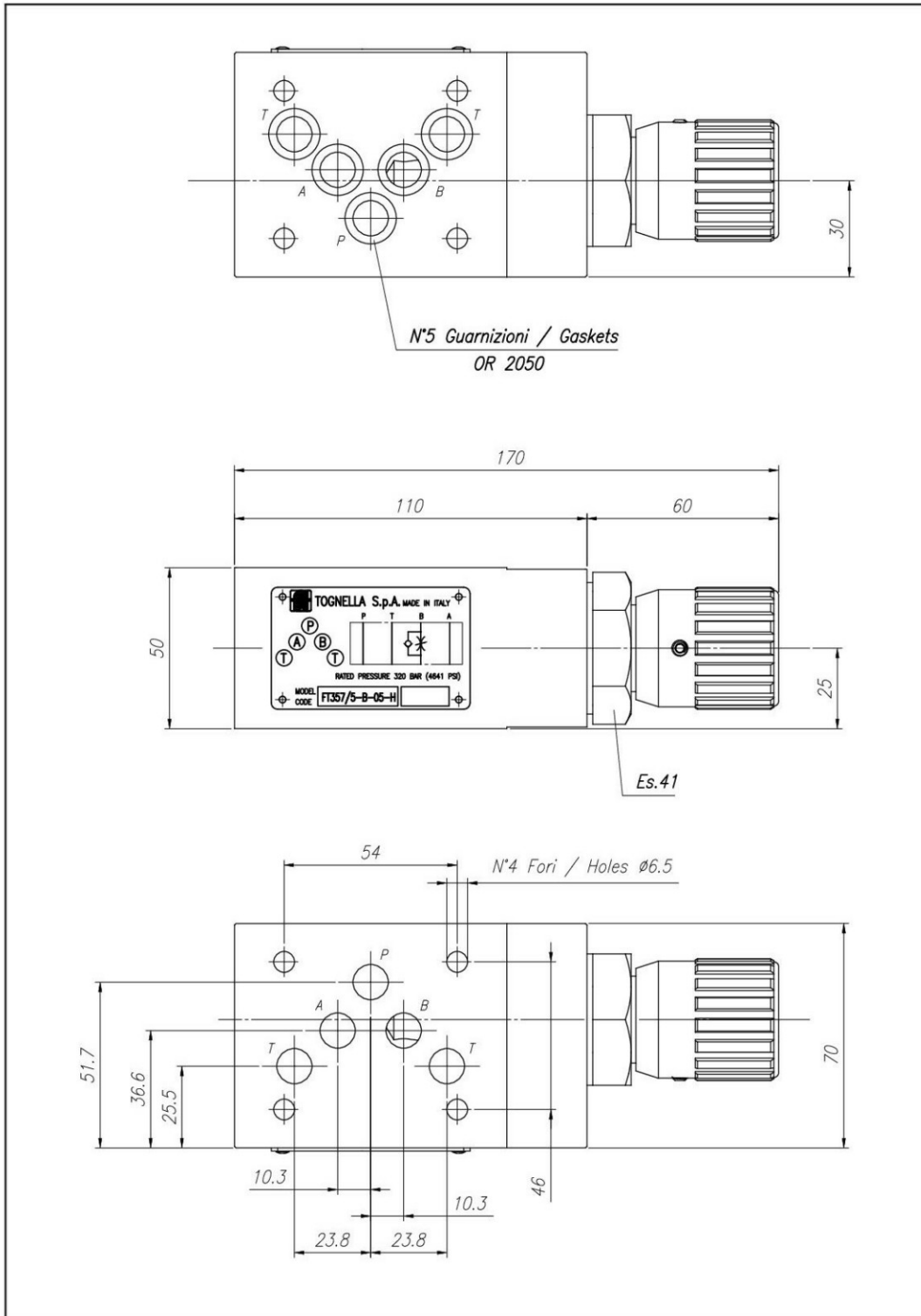
Technical data

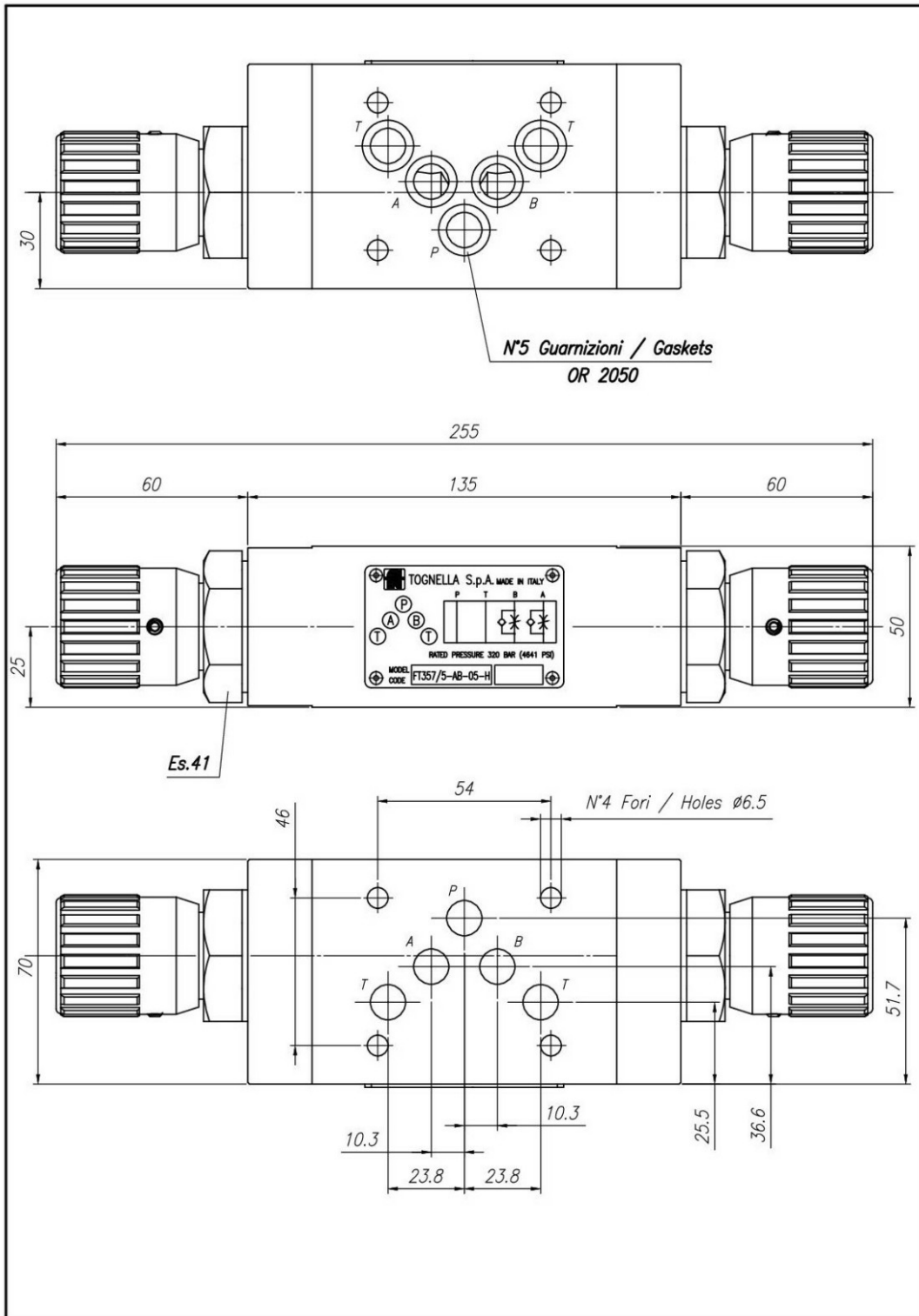
TIPO / TYPE	PRESSIONE ESERCIZIO BAR / WORKING PRESSURE BAR	TEMPERATURA ESERCIZIO / WORKING TEMPERATURE	CLASSE DI CONTAMINAZIONE FLUIDO / FLUID CONTAMINATION CLASS
A	320	-20°C/+80°C	ISO 4406 19/17/14
AB	320	-20°C/+80°C	ISO 4406 19/17/14
B	320	-20°C/+80°C	ISO 4406 19/17/14



Dimensional tables and drawings









Flow rate curves

