



Direct check valves Cetop 5

FT 357/6

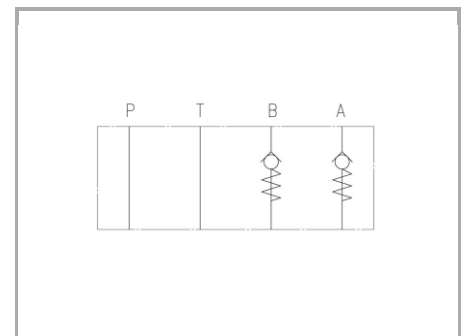
Single-acting stackable valves Cetop5, direct control, available with controlled flow on A-B-P-T or double A+B ports. Max. working pressure 320 Bar, oil flow rate up to 70 Lt./min.

Cetop 5 valves - NG10

Check valves

Direct control

Carbon steel



Technical information

Technical description

Single-acting check valve, for modular mounting with subplate surface according to ISO 4401-05. It blocks the fluid passage in one direction, allowing free flow in the opposite one. Flow check available on A or B or double A+B. Flow rate 70L./min. Cracking pressure on request (see technical sheet)

Materials

CORPO VALVOLA / BODY VALVE	Acciaio/Steel 11 S Mn Pb 37-UNI EN 10087
CORPO CARTUCCIA / CARTRIDGE BODY	Acciaio/Steel 11 S Mn Pb 37-UNI EN 10087
SPILO DI REGOLAZIONE / ADJUSTING NEEDLE	Acciaio legato/Alloy Steel
GUARNIZIONI / GASKETS	Di serie NBR - A richiesta FPM/Standard NBR-on demand FPM
ANELLI ANTIESTRUSIONE / ANTIEXTRUSION RINGS	PTFE

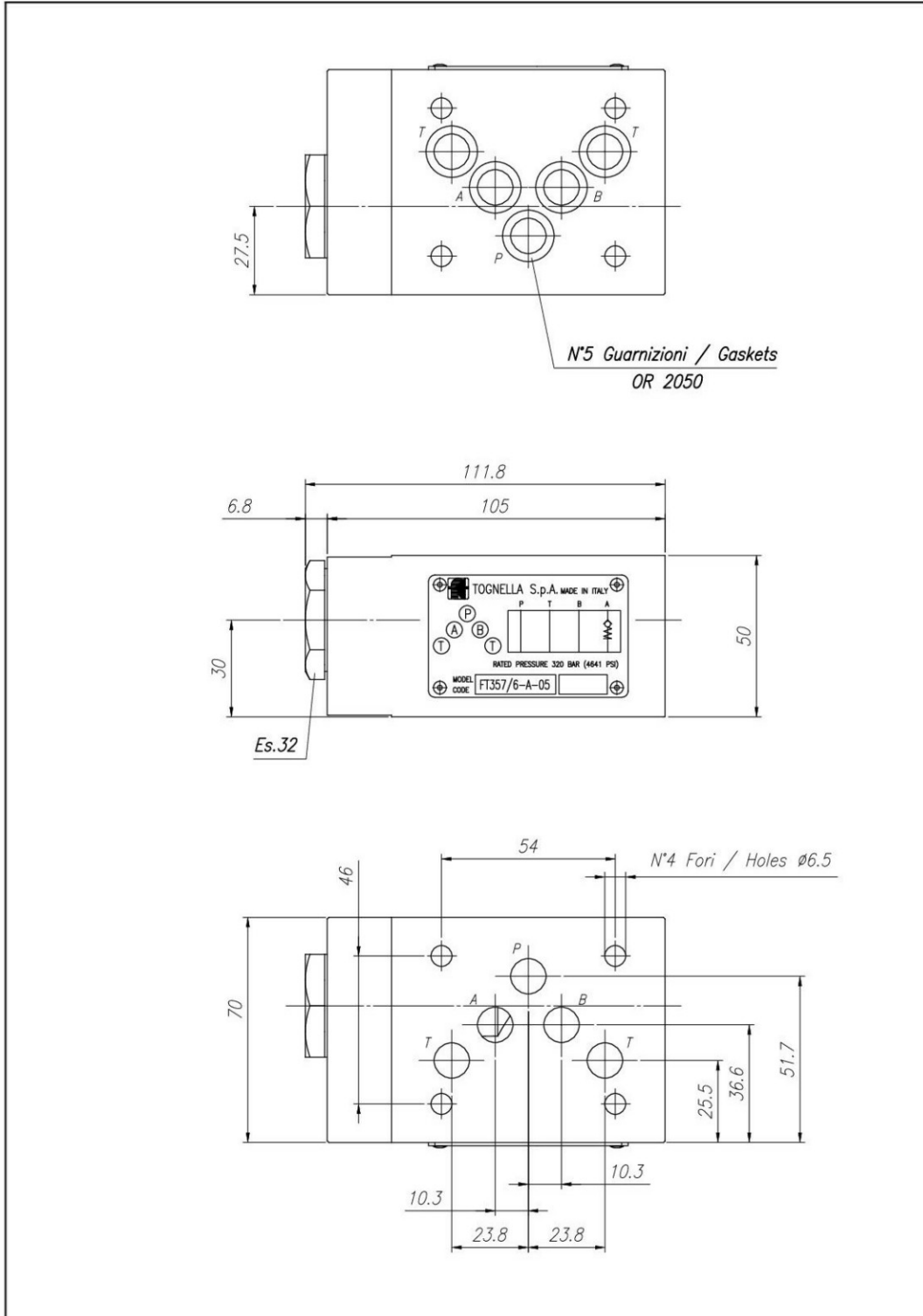


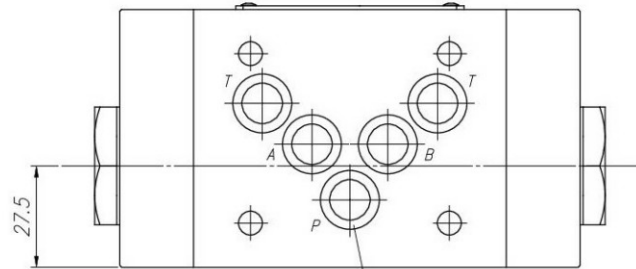
Technical data

TIPO / TYPE	PRESSIONE ESERCIZIO BAR / WORKING PRESSURE BAR	TEMPERATURA ESERCIZIO / WORKING TEMPERATURE	CLASSE DI CONTAMINAZIONE FLUIDO / FLUID CONTAMINATION CLASS
A	320	-20°C/+80°C	ISO 4406 19/17/14
AB	320	-20°C/+80°C	ISO 4406 19/17/14
B	320	-20°C/+80°C	ISO 4406 19/17/14
P	320	-20°C/+80°C	ISO 4406 19/17/14
T	320	-20°C/+80°C	ISO 4406 19/17/14

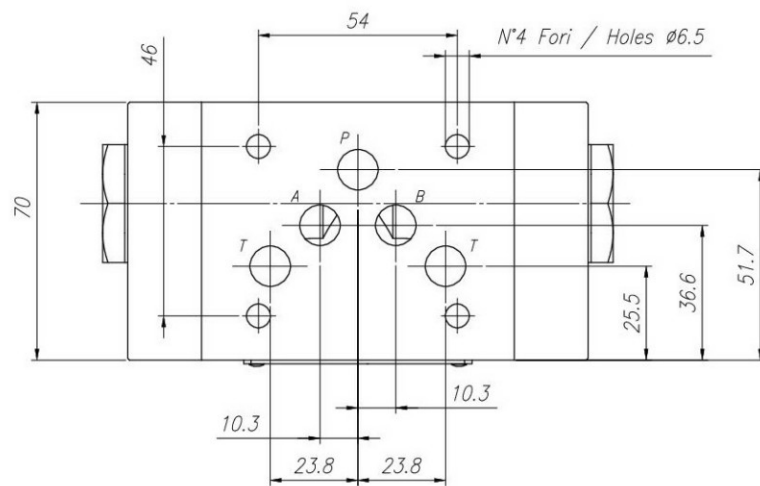
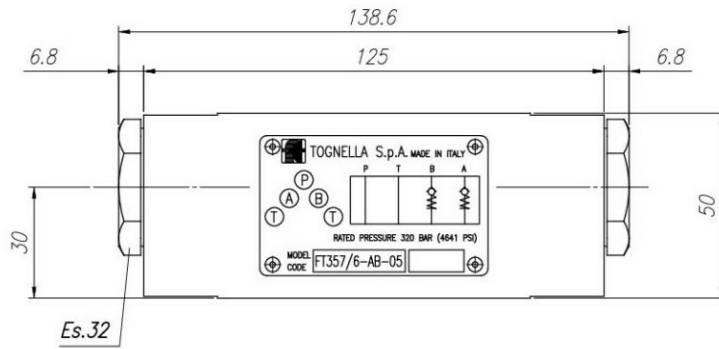


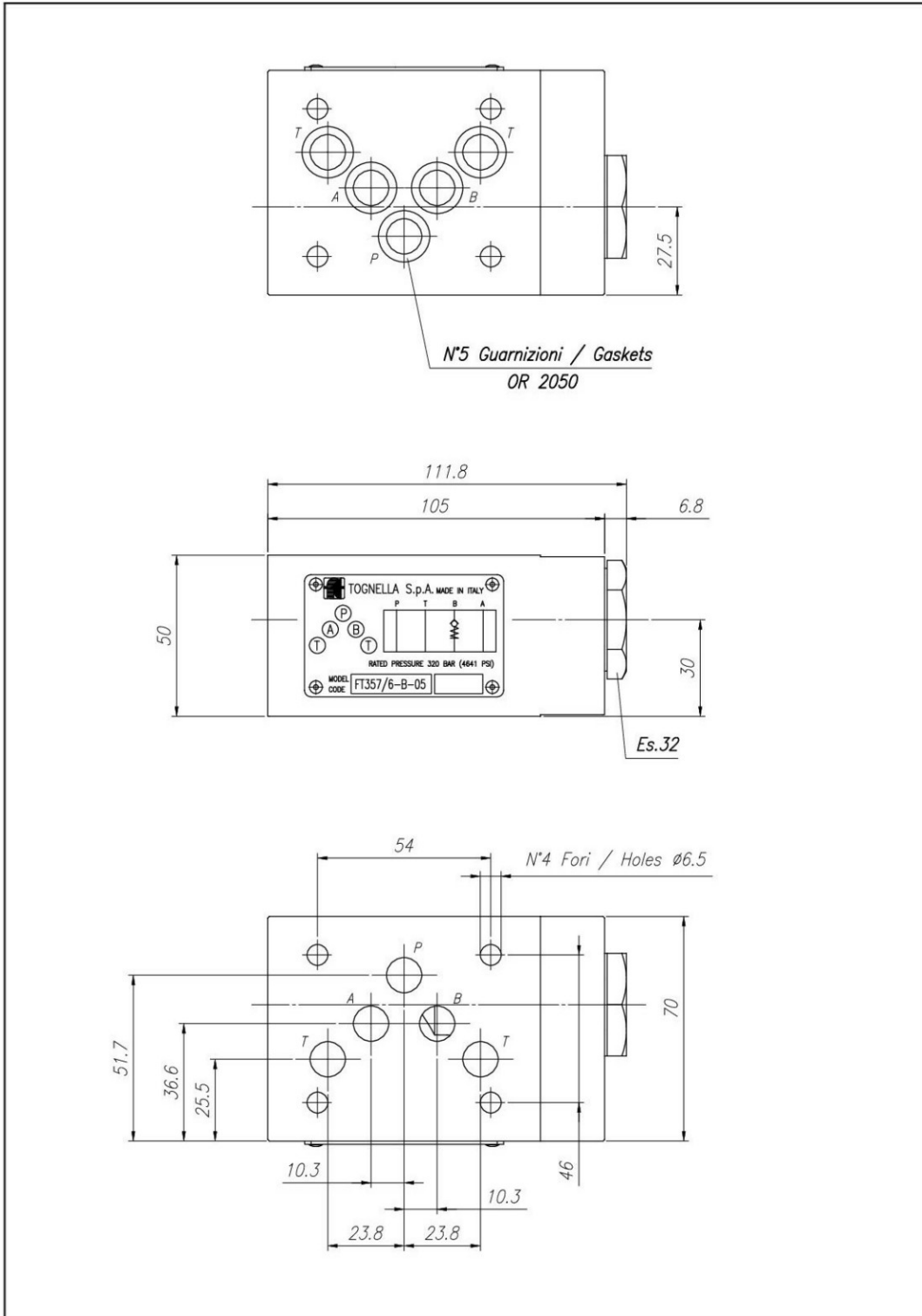
Dimensional tables and drawings

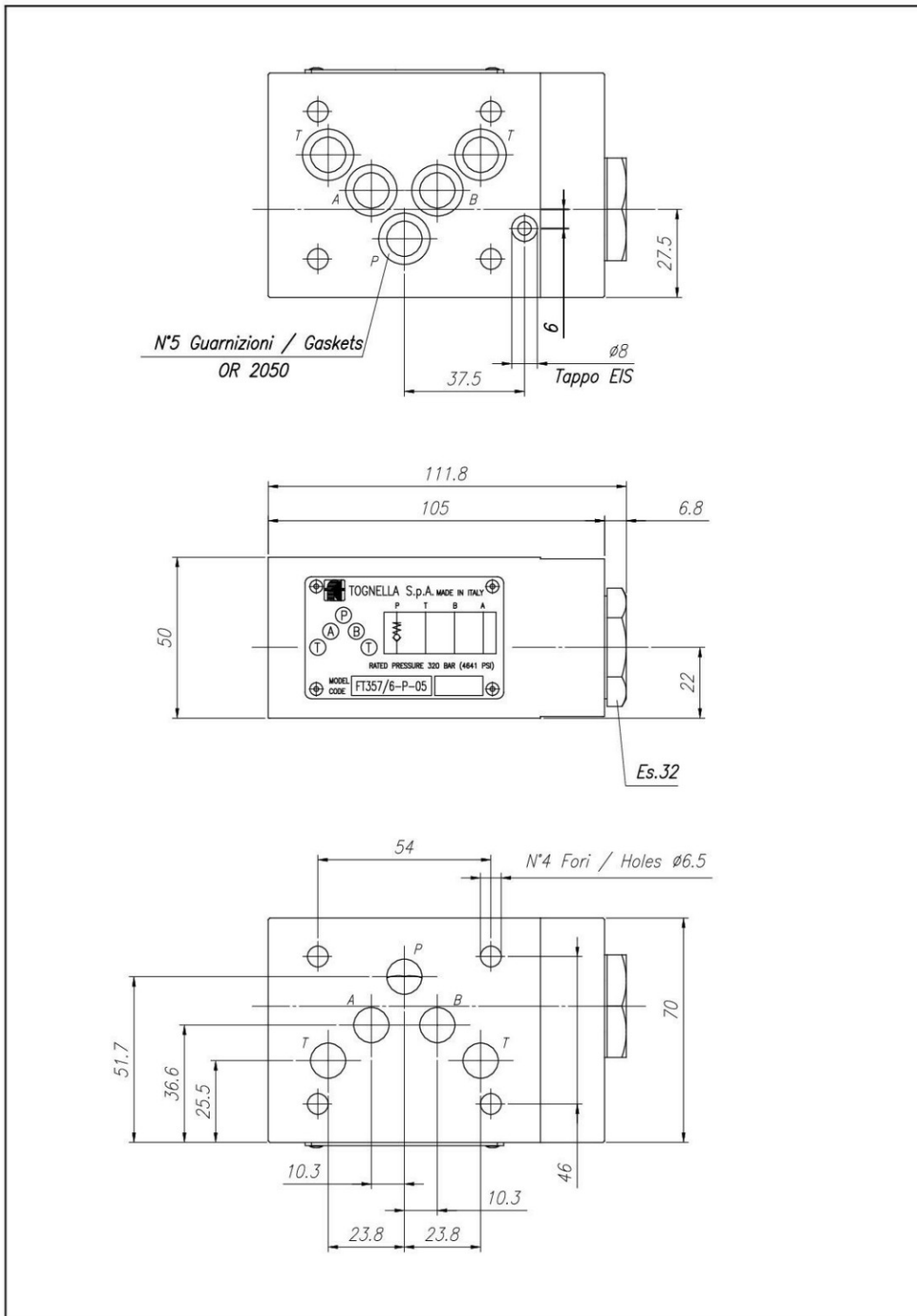


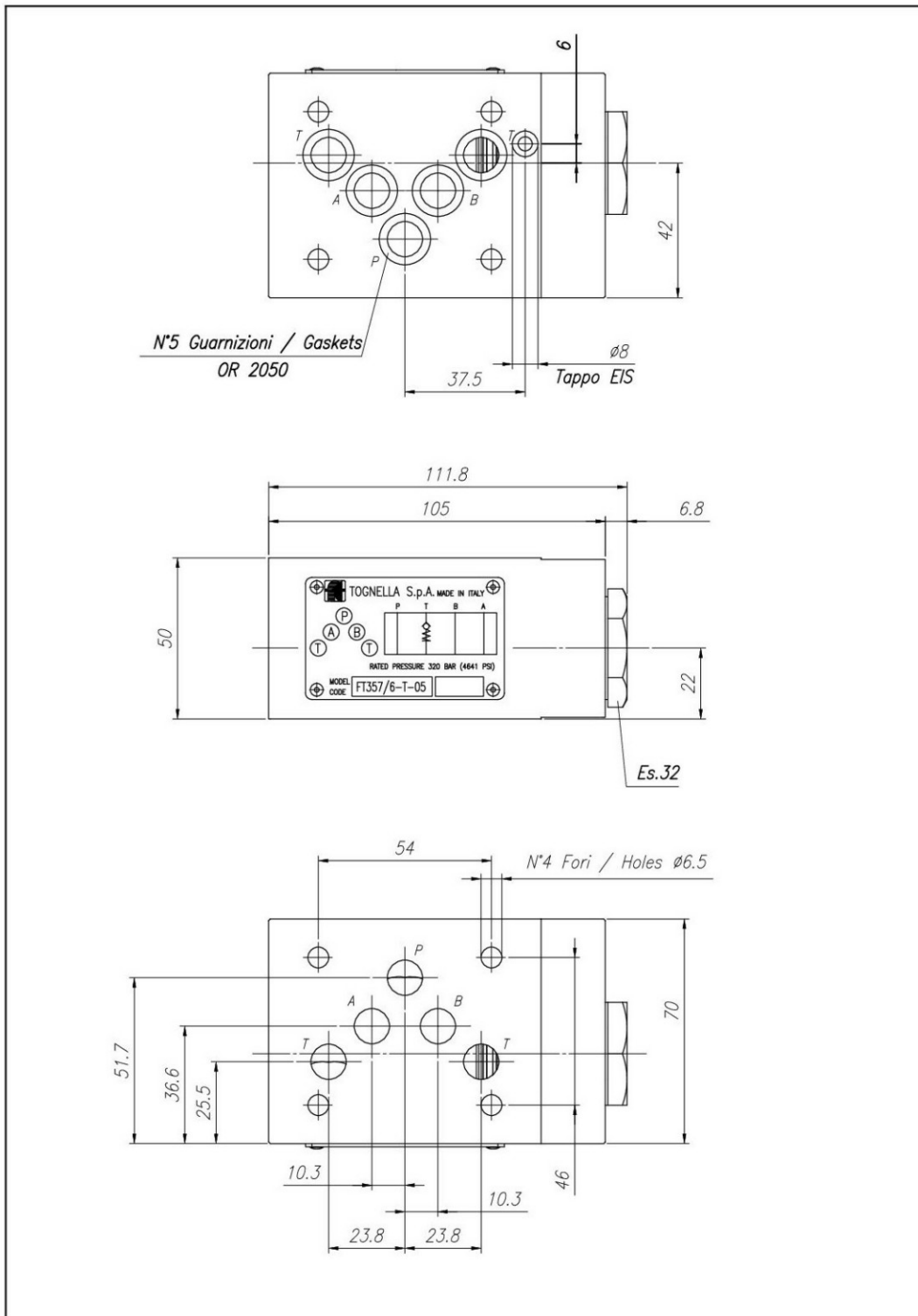


N°5 Guarnizioni / Gaskets
OR 2050











Flow rate curves

