



## Pilot pressure relief valves Cetop 5

### FT 379/4

Pilot pressure relief stackable valves Cetop5, available with controlled flow on A-B-P or double A+B ports. Max. working pressure 320 Bar

#### Cetop 5 valves - NG10

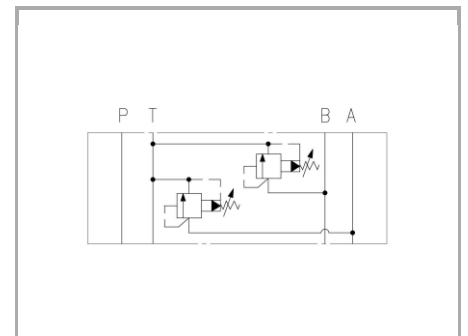
#### Pressure relief

#### Pilot control

#### Carbon steel

#### Setting regulation field:

05=10-60 Bar | 10=30-160 Bar | 20=60-260 Bar | 30=100-320 Bar



## Technical information

### Technical description

Cetop 05 pilot reducing pressure valve with modular execution, ISO 4401-05 for superimposable mountings. They have function of limiting pressure in the hydraulic circuit or limiting pressure peaks generated during hydraulic actuators moving variations. Flow rate 60L./min, wide regulation range available ( see technical sheet )

### Materials

CORPO VALVOLA / BODY VALVE	Acciaio/Steel 11 S Mn Pb 37-UNI EN 10087
CORPO CARTUCCIA / CARTRIDGE BODY	Acciaio/Steel 11 S Mn Pb 37-UNI EN 10087
SPILO DI REGOLAZIONE / ADJUSTING NEEDLE	Acciaio legato/Alloy Steel
GUARNIZIONI / GASKETS	Di serie NBR - A richiesta FPM/Standard NBR-on demand FPM
ANELLI ANTIESTRUSIONE / ANTIEXTRUSION RINGS	PTFE
MANOPOLA TIPO MA / KNOB TYPE MA	Alluminio/Aluminum GD AISi12- UNI EN AB 46100



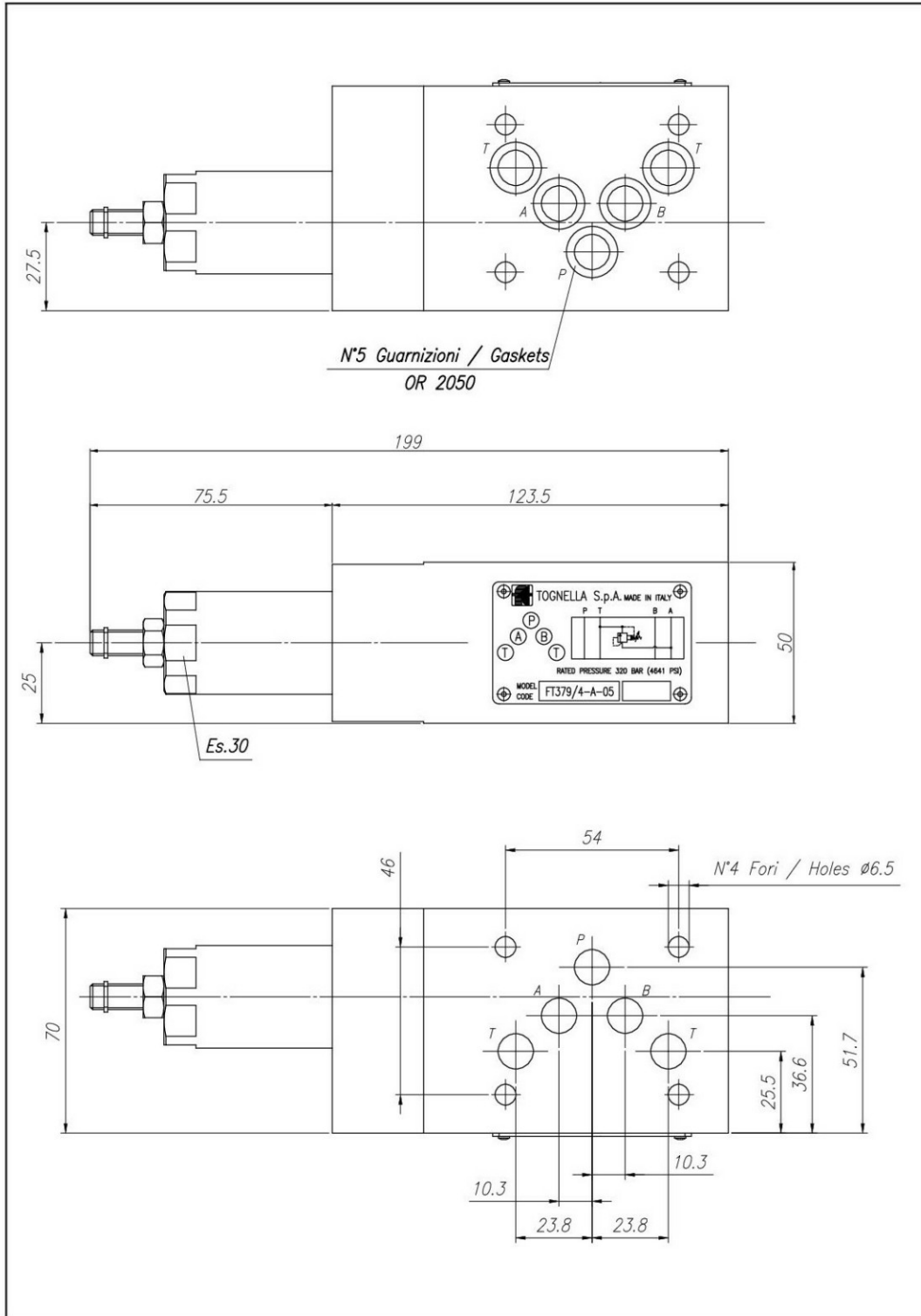
## Technical data

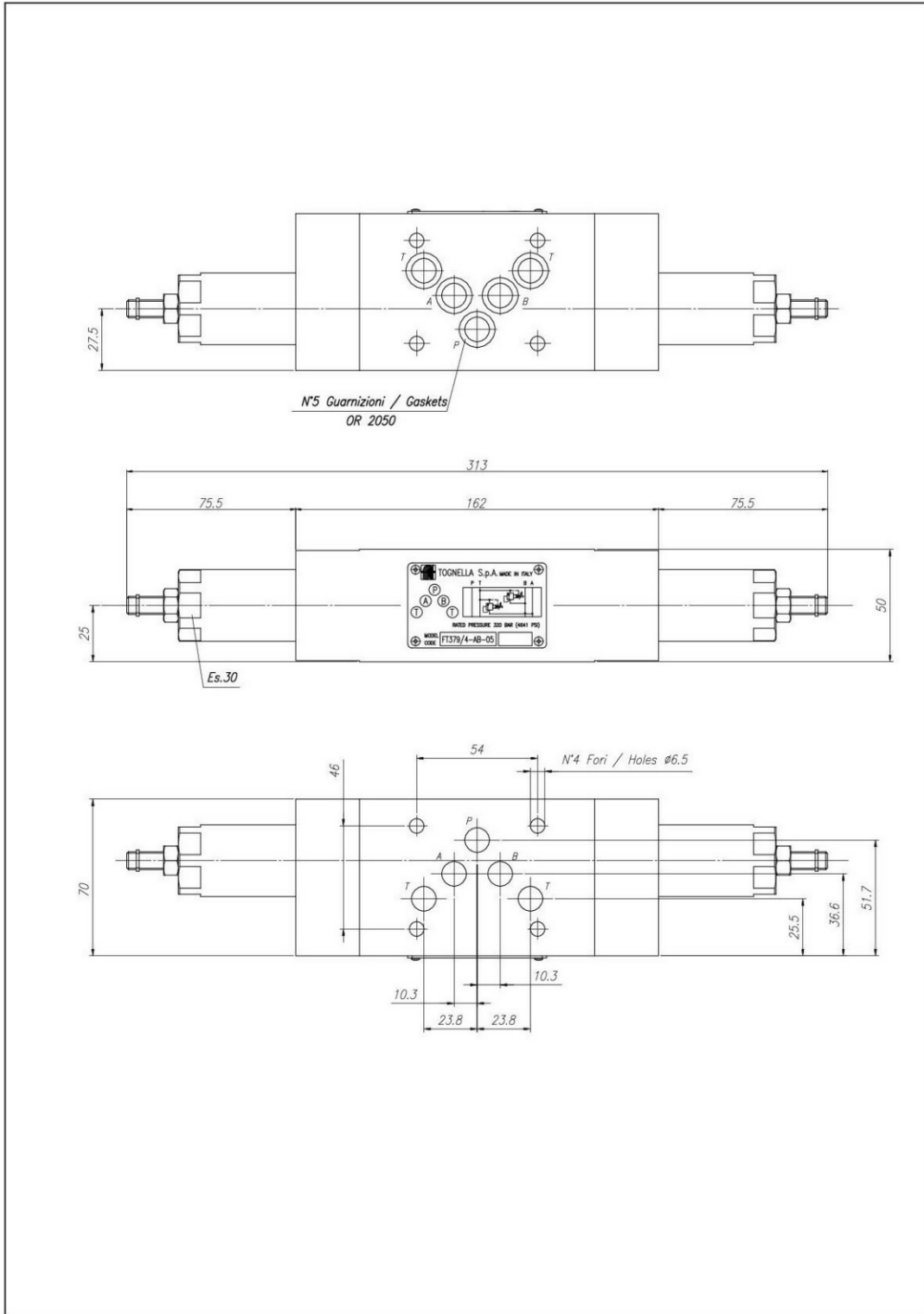
CAMPO REGOLAZIONE TARATURA SETTING REGULATION FIELD	
FT 379/4-05	05 = 10-60 Bar
	10 = 30-160 Bar
	20 = 60-260 Bar
	30 = 100-320 Bar

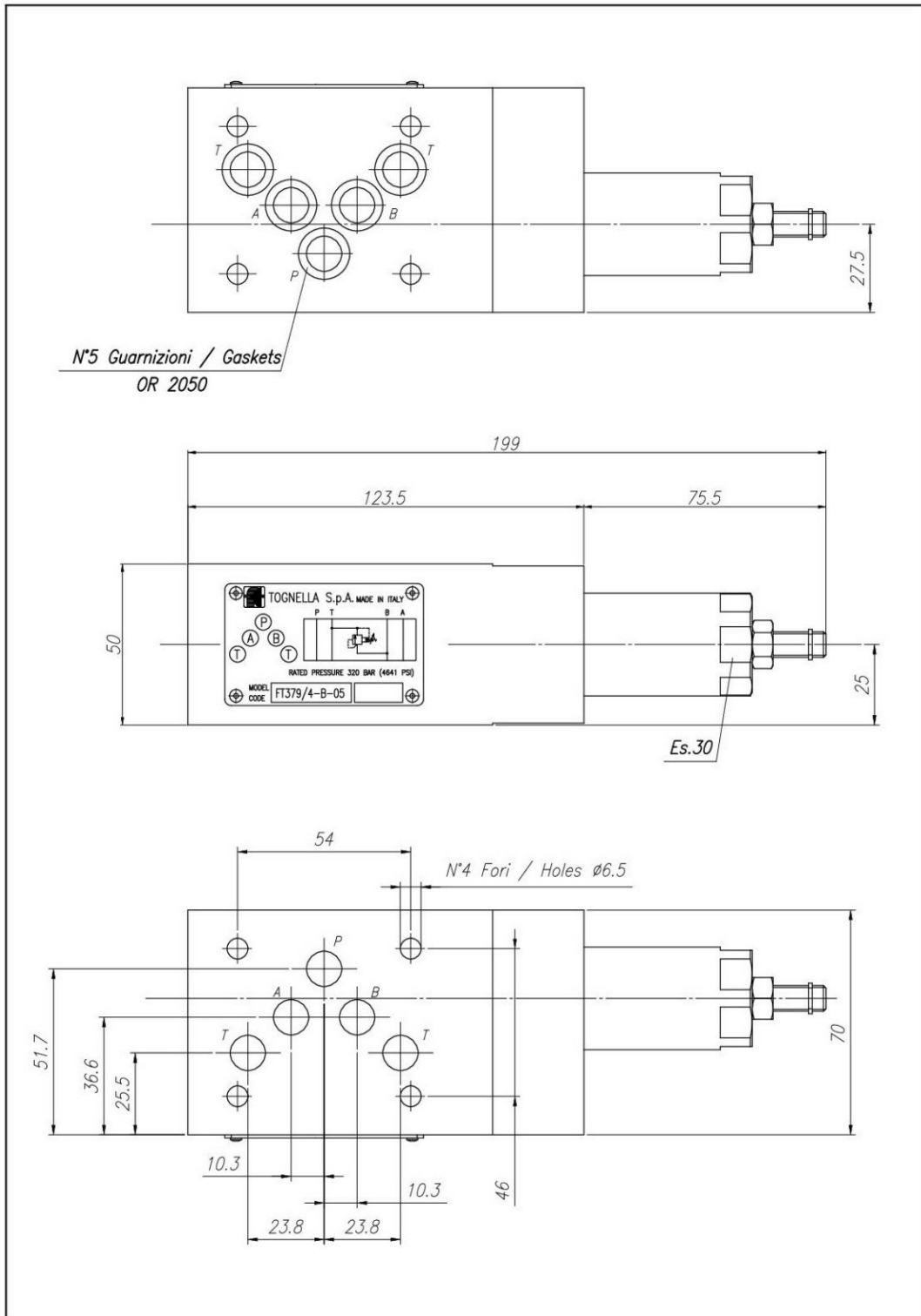
TIPO / TYPE	PRESSIONE ESERCIZIO BAR / WORKING PRESSURE BAR	TEMPERATURA ESERCIZIO / WORKING TEMPERATURE	CLASSE DI CONTAMINAZIONE FLUIDO / FLUID CONTAMINATION CLASS
A	320	-20°C/+80°C	ISO 4406 19/17/14
AB	320	-20°C/+80°C	ISO 4406 19/17/14
B	320	-20°C/+80°C	ISO 4406 19/17/14

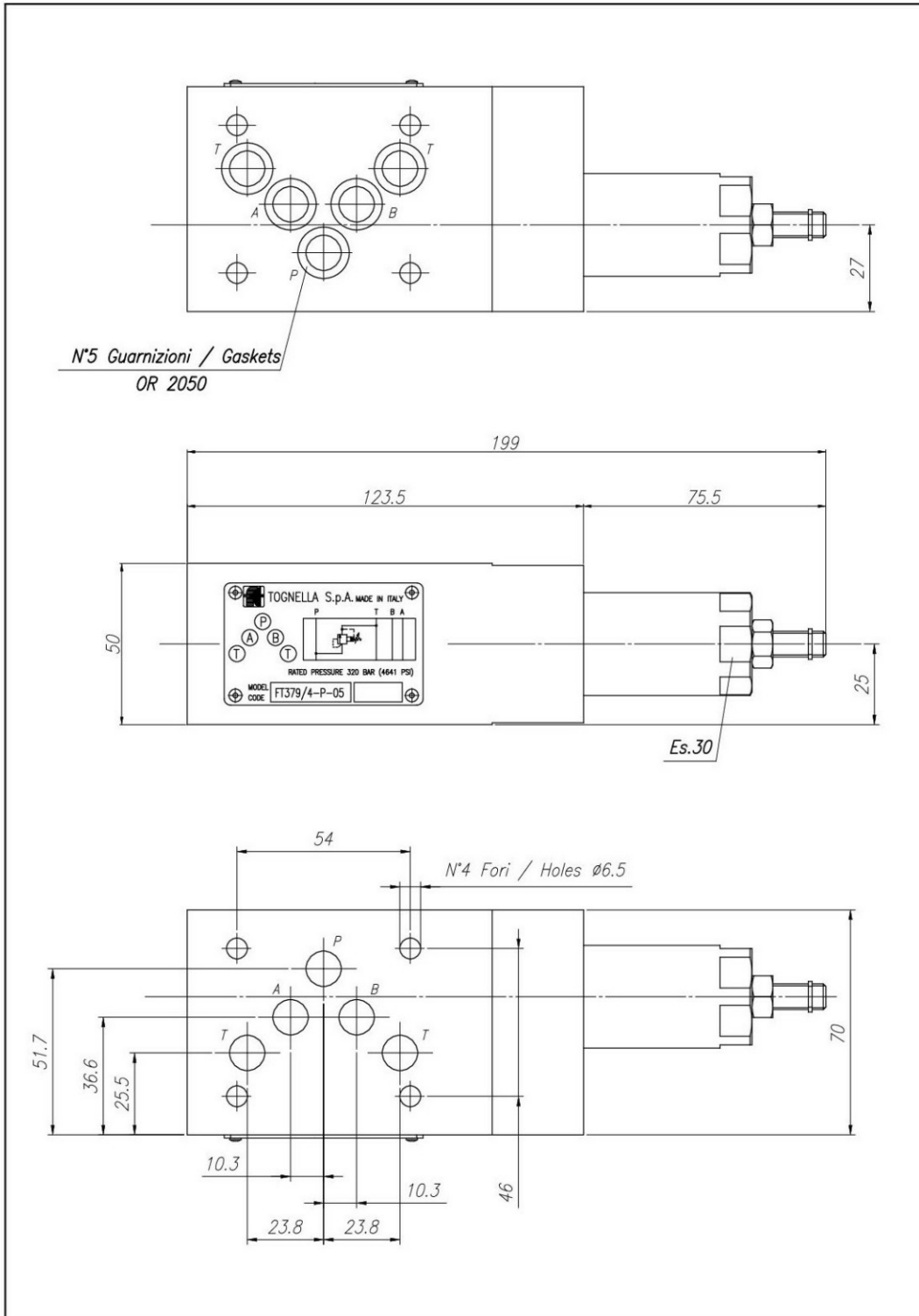


## Dimensional tables and drawings



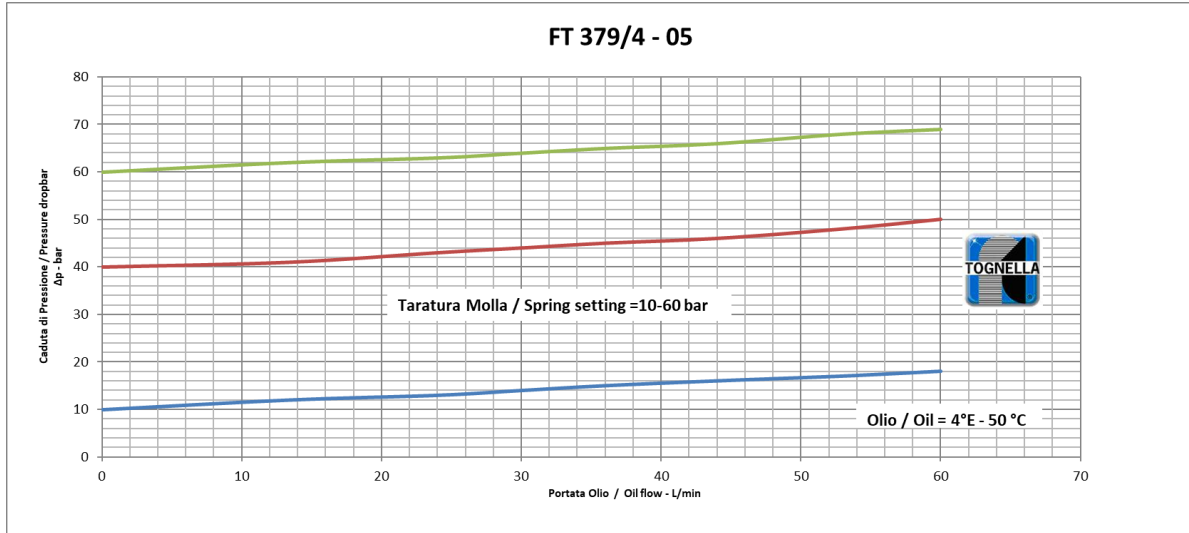








## Flow rate curves



Q

