



Interface block

FT 377

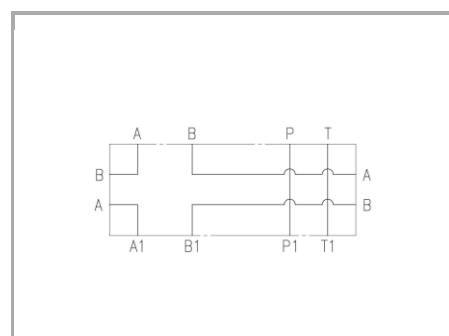
Stackable block for multiple mounting of plate control valves

Cetop 3 valves - NG6

Interface connection

Connection

Carbon steel



Technical information

Technical description

Interconnection block equipped with fixing screws. It allows, depending on the configuration, the mounting of one or two plate flow control valves of series FT 280/281 or FT 288/289.

Materials

CORPO VALVOLA / BODY VALVE	Acciaio/Steel 11 S Mn Pb 37-UNI EN 10087
GUARNIZIONI / GASKETS	Di serie NBR - A richiesta FPM/Standard NBR-on demand FPM
ANELLI ANTIESTRUSIONE / ANTIEXTRUSION RINGS	PTFE

Technical data

TIPO / TYPE	PRESSIONE ESERCIZIO BAR / WORKING PRESSURE BAR	TEMPERATURA ESERCIZIO / WORKING TEMPERATURE	CLASSE DI CONTAMINAZIONE FLUIDO / FLUID CONTAMINATION CLASS
TUTTI I TIPI / ALL TYPES	320	-20°C/+80°C	ISO 4406 19/17/14



Dimensional tables and drawings

