



Pilot check valves Cetop 3

FT 357/9

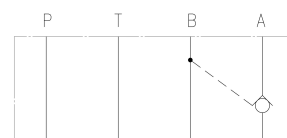
Single-acting stackable valves Cetop3, pilot control, available with controlled flow on A or B ports. Max. working pressure 320 Bar, oil flow rate up to 40 Lt./min.

Cetop 3 valves - NG6

Check valves

Pilot control

Carbon steel



Technical information

Technical description

CETOP 03 single-pilot check valve with plate modular execution, in accordance with ISO 4401-03 for superimposable mountings. They have the function of a perfect sealing with the fluid passage in a direction allowing free flow in the opposite one when piloted. Standard pilot ratio 3:1. Available version double on " A + B " (FT 357/8..) or single (FT 357/9..)

Materials

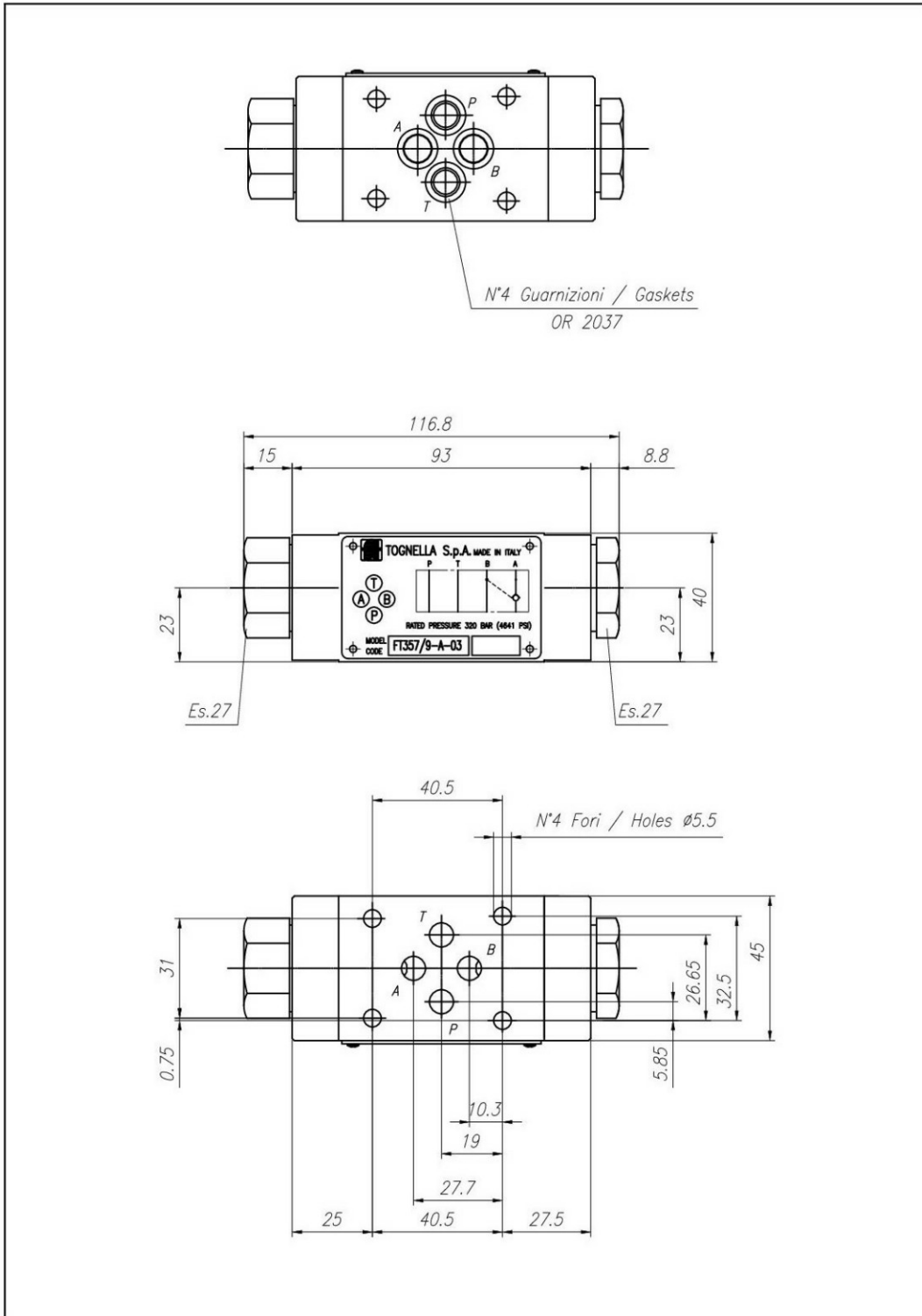
CORPO VALVOLA / BODY VALVE	Acciaio/Steel 11 S Mn Pb 37-UNI EN 10087
CORPO CARTUCCIA / CARTRIDGE BODY	Acciaio/Steel 11 S Mn Pb 37-UNI EN 10087
SPILLO DI REGOLAZIONE / ADJUSTING NEEDLE	Acciaio legato/Alloy Steel
GUARNIZIONI / GASKETS	Di serie NBR - A richiesta FPM/Standard NBR-on demand FPM
ANELLI ANTIESTRUSIONE / ANTIEXTRUSION RINGS	PTFE
MANOPOLA TIPO MA / KNOB TYPE MA	Alluminio/Aluminum GD AlSi12- UNI EN AB 46100

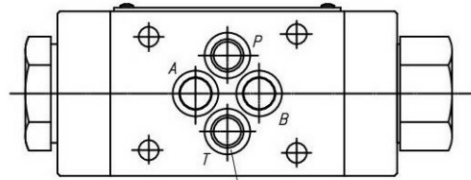
Technical data

TIPO / TYPE	PRESSIONE ESERCIZIO BAR / WORKING PRESSURE BAR	TEMPERATURA ESERCIZIO / WORKING TEMPERATURE	CLASSE DI CONTAMINAZIONE FLUIDO / FLUID CONTAMINATION CLASS
A	320	-20°C/+80°C	ISO 4406 19/17/14
AB	320	-20°C/+80°C	ISO 4406 19/17/14
B	320	-20°C/+80°C	ISO 4406 19/17/14

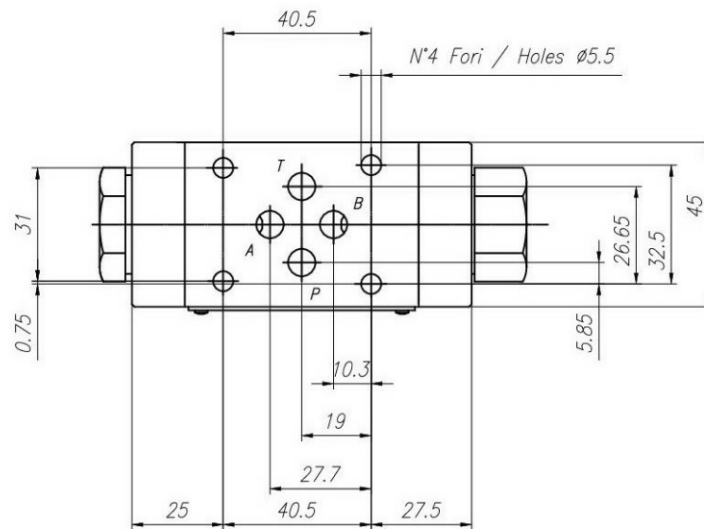
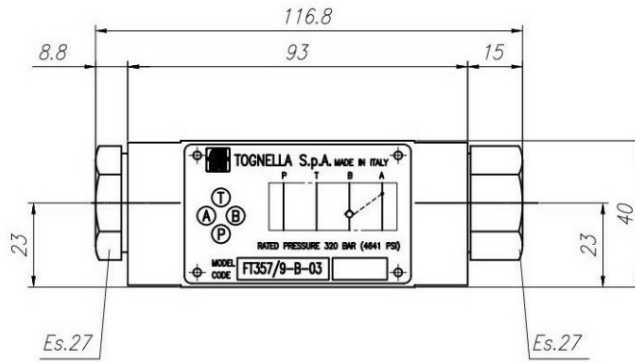


Dimensional tables and drawings





N°4 Guarnizioni / Gaskets
OR 2037





Flow rate curves

