



Pilot check valves Cetop 5

FT 357/9

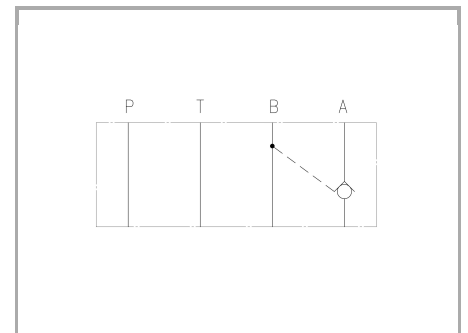
Single-acting stackable valves Cetop5, pilot control, available with controlled flow on A or B. Max. working pressure 320 Bar, oil flow rate up to 70 Lt./min.

Cetop 5 valves - NG10

Check valves

Pilot control

Carbon steel



Technical information

Technical description

Cetop 05 single-pilot check valve with plate modular execution according to ISO 4401-05 for superimposable mountings. They have the function of a perfect sealing with the fluid passage in one direction and they permit the free flow in the opposite one when piloted. Standard ratio rate 3:1. Available double version on "A" + "B" (FT 357/8...) or single (FT 357/9...). Flow rate 70L./min.

Materials

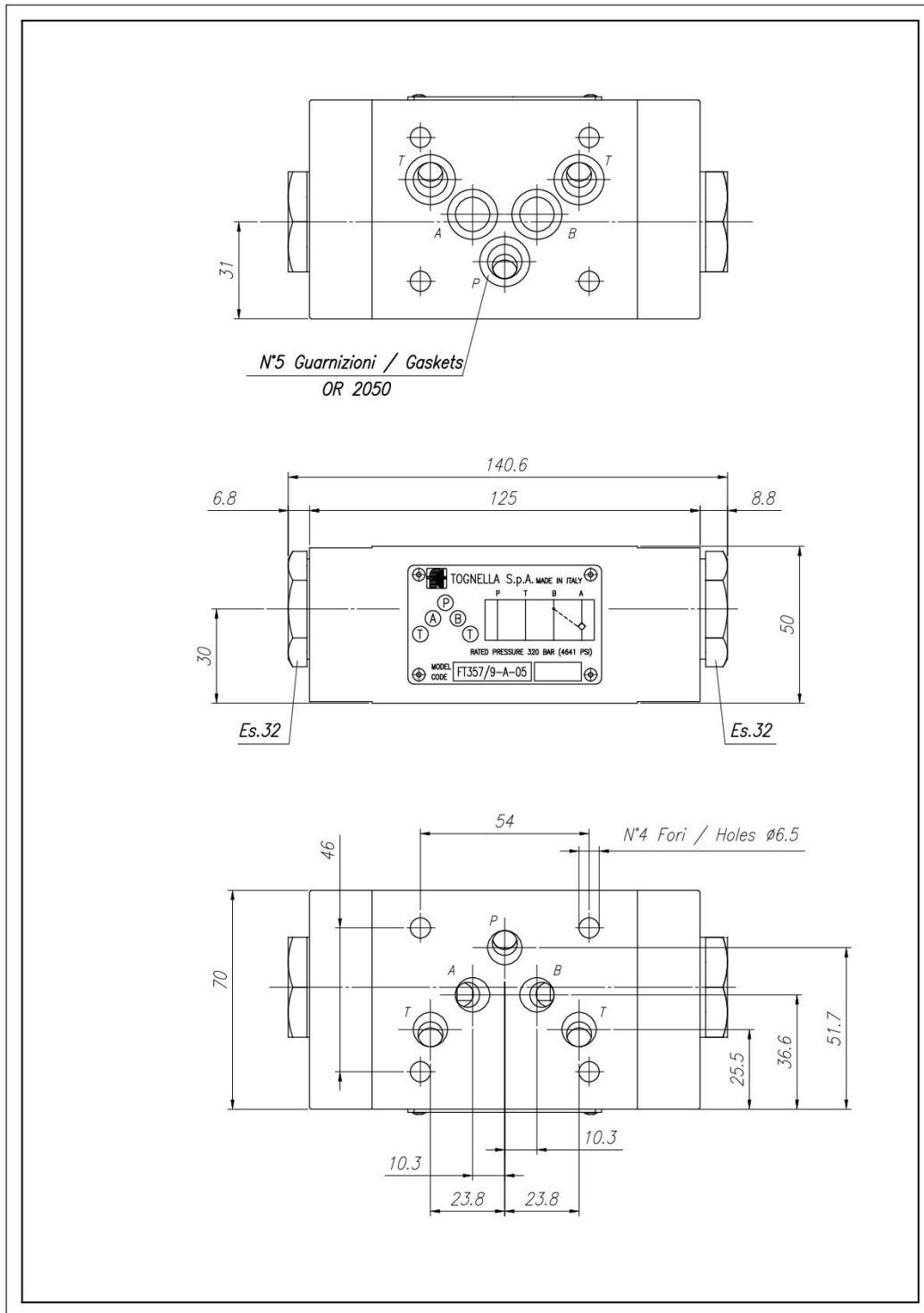
CORPO VALVOLA / BODY VALVE	Acciaio/Steel 11 S Mn Pb 37-UNI EN 10087
CORPO CARTUCCIA / CARTRIDGE BODY	Acciaio/Steel 11 S Mn Pb 37-UNI EN 10087
SPILLO DI REGOLAZIONE / ADJUSTING NEEDLE	Acciaio legato/Alloy Steel
GUARNIZIONI / GASKETS	Di serie NBR - A richiesta FPM/Standard NBR-on demand FPM
ANELLI ANTIESTRUSIONE / ANTIEXTRUSION RINGS	PTFE
MANOPOLA TIPO MA / KNOB TYPE MA	Alluminio/Aluminum GD AISi12- UNI EN AB 46100

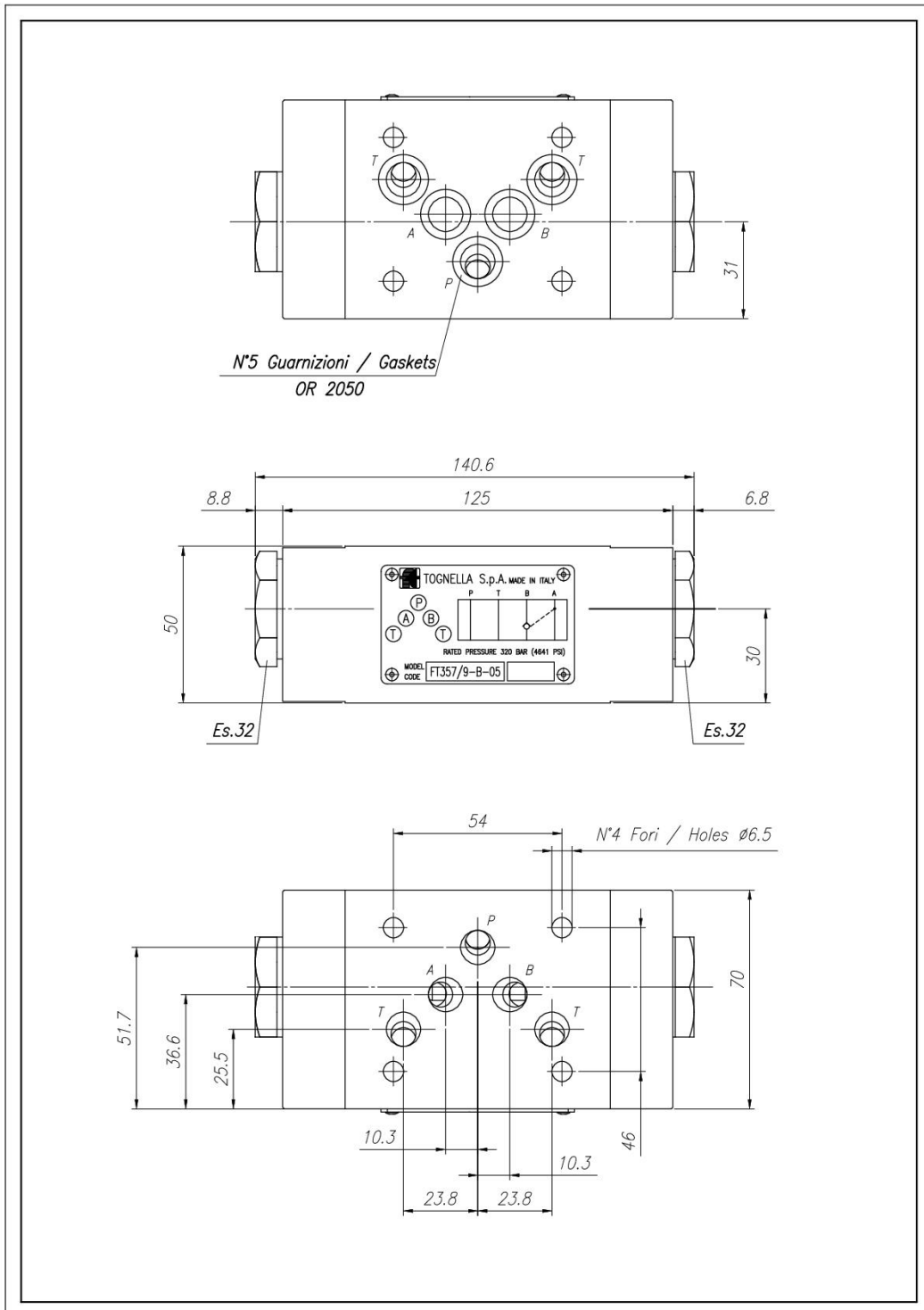
Technical data

TIPO / TYPE	PRESSIONE ESERCIZIO BAR / WORKING PRESSURE BAR	TEMPERATURA ESERCIZIO / WORKING TEMPERATURE	CLASSE DI CONTAMINAZIONE FLUIDO / FLUID CONTAMINATION CLASS
A	320	-20°C/+80°C	ISO 4406 19/17/14
AB	320	-20°C/+80°C	ISO 4406 19/17/14
B	320	-20°C/+80°C	ISO 4406 19/17/14



Dimensional tables and drawings







Flow rate curves

