



Three-Way high-pressure ball valves in Stainless Steel AISI 316

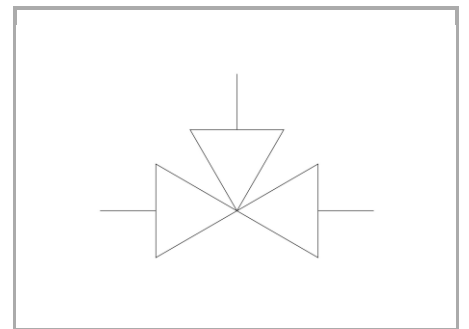
FT 2221/3

Three-way ball valves for high pressure furnishable only in version 800 psi, available in sizes from 1/4" to 1 1/2"

High pressure ball valves

Three-way

Stainless Steel AISI 316



Technical information

Technical description

Used to obtain a quick flow shut-off, avoiding noticeable pressure drop, the FT 221/3 ball valves are designed to obtain perfect sealing, easy and quick operation under high pressure conditions. The noticeable solidity, the material selection and the accurate machining allow their use at working pressure up to 315 bar and with every kind of fluids, such as: hydraulic oil, fuel, emulsions and liquids in general.

Materials

CORPO / BODY	ASTM A 182 F316L
STELO DI COMANDO / CONTROL STEM	ASTM A 182 F316L
SFERA / BALL	ASTM A 182 F316L
GUARNIZIONE STELO / STEM GASKET	Di serie FPM/Standard FPM
GUARNIZIONE SFERA / BALL GASKET	PTFE

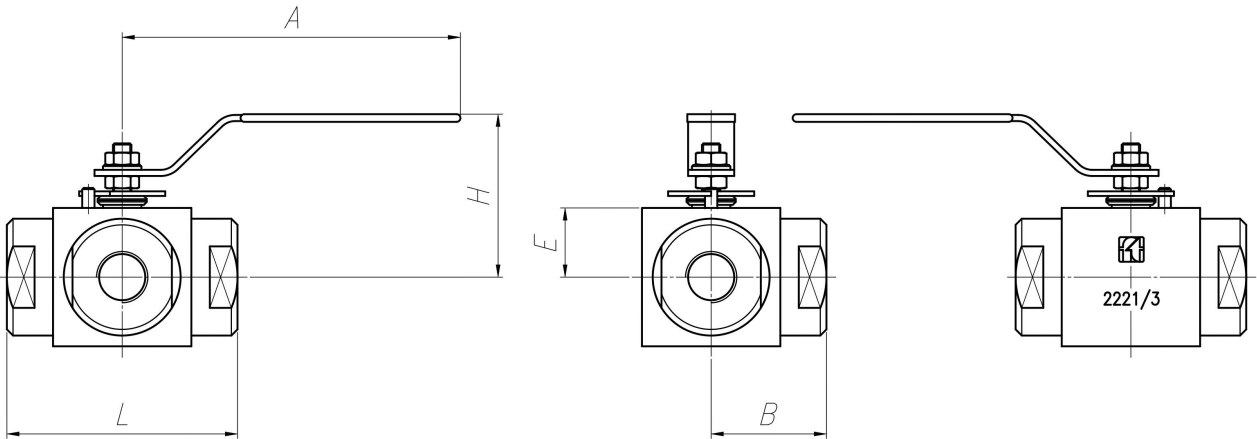
Technical data

TIPO / TYPE	PRESSIONE ESERCIZIO BAR / WORKING PRESSURE BAR	TEMPERATURA ESERCIZIO / WORKING TEMPERATURE	GRADO DI FILTRAZIONE µm / FILTRATION GRADE µm
ALL SIZES	50 / 800 PSI	-20°C/+130°C	25
	200 / 3000 PSI	-20°C/+130°C	25
	400 / 6000 PSI	-20°C/+130°C	25



Dimensional tables and drawings

TIPO / TYPE	DN	A	B	E	F	H	L	PESO / WEIGHT KG
14	1/4" G	150	37,5	22,5	11	63	75	1,200
38	3/8" G	150	37,5	22,5	11	63	75	1,200
12	1/2" G	185	45	30	14	85	90	2,100
34	3/4" G	185	51	35	20	90	102	2,900
100	1" G	285	60	40	25	95	120	4,600
114	1 1/4" G	285	67,5	45	32	100	135	5,900
112	1 1/2" G	285	77,5	50	38	105	155	9,900



Dettaglio attacchi connessioni

