



Adjustable piston pressure switch with adjusting screw

FT-P24HP

Sub-miniature pressure switches with push-on electric connection 6,3x0,8, IP00 protection degree (without cap) or IP54 (with cap FT-KT-011). Body in carbon steel

Carbon steel

48Vdc

NO or NC

IP54

PUSH-ON

Piston



Technical information

Technical description

The pressure switches of the series FT-P24 can be supplied with particular customized configuration according to a specific technical demand of our esteemed customers. We can realize solutions with protection degree up to IP67, pressure switch setting in factory, filling with epoxy resin and electrical connection by a connecting cable (of the desired length), which can be free or wired with connector, also of automotive type, between the most common and used on the market (ex. AMP-DEUTSCH-DELPHI-METRIPACK) and according to customers specification. Other solutions that foresee the connector perfectly integrated in the protection caps can be evaluated.

Materials

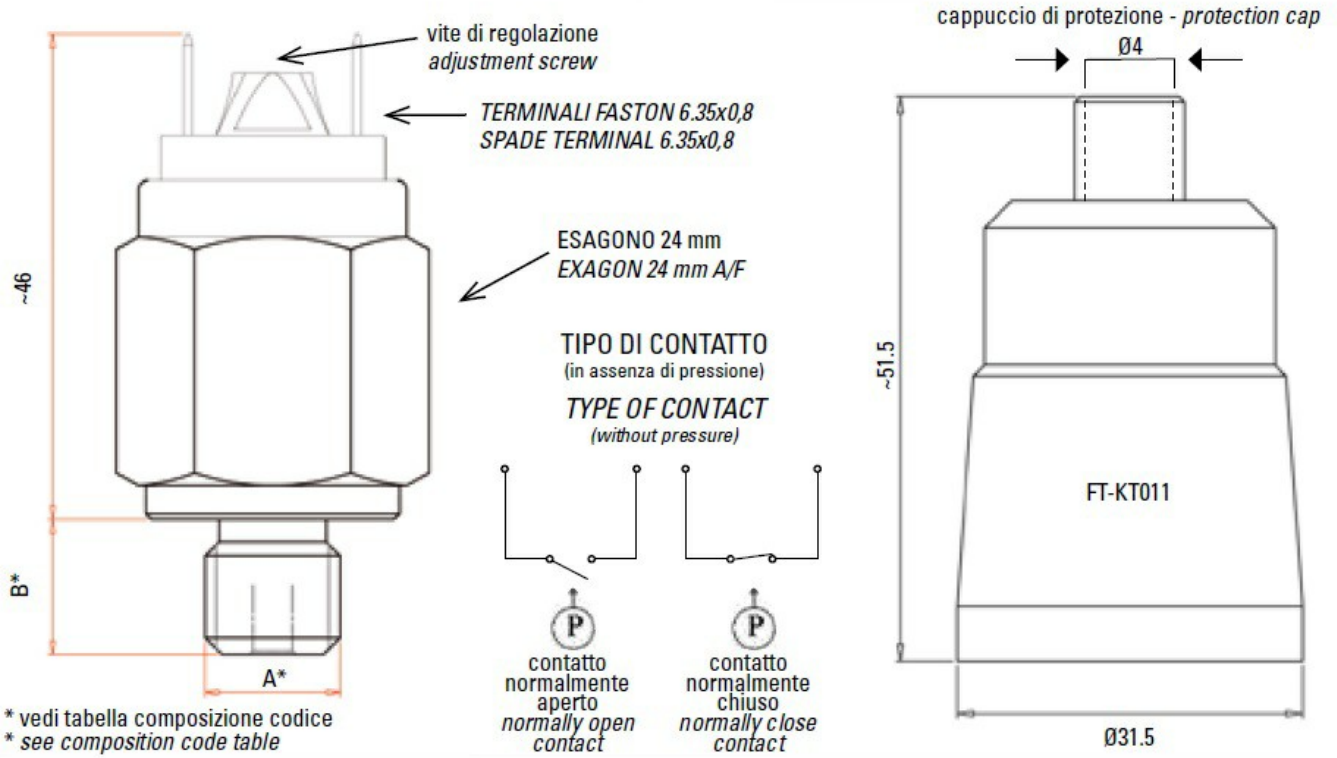
CORPO / BODY	Acciaio Zincato / Zinc Plated Steel
GUARNIZIONE / GASKET	Di serie NBR / Standard NBR
CONTATTI ELETTRICI / ELECTRICAL CONNECTION	NA o NC Argentati / NO or NC Silver Plated
PISTONE / PISTON	Acciaio / Steel

Technical data

TENSIONE MAX	SWITCHING RATING
48V dc	48V dc
CARICO ELETTRICO RESISTIVO	RESISTIVE ELECTRICAL LOAD
0,5Amp	0,5Amp
MASSIMA PRESSIONE	MAX STATIC PRESSURE
600 Bar	600 Bar
TEMPERATURA DI UTILIZZO	TEMPERATURE RANGE
-20 ÷ + 90 °C	-20 ÷ + 90 °C
GRADO DI PROTEZIONE	PROTECTION DEGREE
IP54 con cappuccio FT-KT011	IP54 with protection cap FT-KT011
A richiesta IP65 con cappuccio FT-KT012	On demand IP65 with protection cap FT-KT012
FREQUENZA MAX DI LAVORO	MAX WORKING FREQUENCY
30 cicli/min-10 ⁵ interventi	30 cycles/min-10 ⁵ operating time
ISTERESI	HYSTERESIS
3 ÷ 5% valore di taratura	3 ÷ 5% of setting point



Dimensional tables and drawings



Adjusting range (BAR)

CAMPO DI REGOLAZIONE (Bar) / ADJUSTING RANGE (Bar)	TOLLERANZA A 20° (Bar) / TOLERANCE AT 20° (Bar)*
20 ÷ 300	± 7,5%
* Le tolleranze di intervento indicate sono riferite alle tarature effettuate in fabbrica	
* The toletances of set-point are referred to the settings made in factory	