

Adjustable diaphragm pressure switch

FT-P27MP

Miniature pressure switches with DIN 43650/A electric connection, IP65 protection degree (included). Body in OT58, SPDT contact

Brass OT58

220Vac

SPDT

IP65

DIN 43650/A

Diaphragm



Technical information

Technical description

The pressure switches of series FT-P27 can be supplied completed of IP65 DIN 43650/A connector. They are fully adjustable by an adjustment screw positioned under the connector in the middle of the pressure switch. They are made of a robust and reliable electric micro-switch that, on request, can be supplied in configuration 220Vac/6A.

Materials

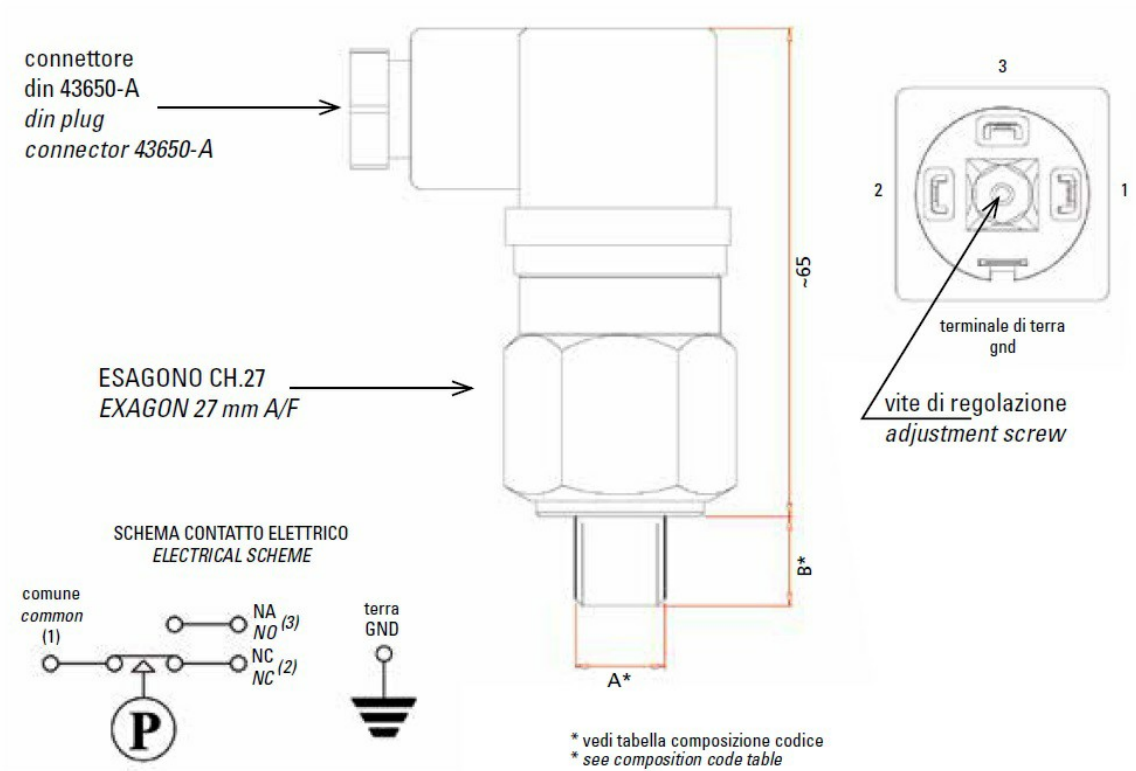
| | |
|---|--|
| CORPO / BODY | Ottone/Brass |
| MEMBRANA-GUARNIZIONE / DIAPHRAGM-GASKET | Di serie NBR / Standard NBR |
| CONTATTI ELETTRICI / ELECTRICAL CONNECTION | Argentati / Silver Plated |
| PLASTICA / PLASTIC HEAD | Nylon 6/6 fv. 30 / Nylon 6/6 fv. 30 |

Technical data

| | |
|-----------------------------------|----------------------------------|
| TENSIONE MAX | SWITCHING RATING |
| 250V ac | 250V ac |
| CARICO ELETTRICO RESISTIVO | RESISTIVE ELECTRICAL LOAD |
| 0,5Amp | 0,5Amp |
| MASSIMA PRESSIONE | MAX STATIC PRESSURE |
| 80 Bar | 80 Bar |
| TEMPERATURA DI UTILIZZO | TEMPERATURE RANGE |
| -20 ÷ + 110 °C | -20 ÷ + 110 °C |
| GRADO DI PROTEZIONE | PROTECTION DEGREE |
| IP65 | IP65 |
| FREQUENZA MAX DI LAVORO | MAX WORKING FREQUENCY |
| 30 cicli/min | 30 cycles/min |
| VITA MECCANICA | MECHANICAL LIFE |
| 10 ⁶ cicli | 10 ⁶ cycles |
| VITA ELETTRICA | ELECTRICAL LIFE |
| 10 ⁵ cicli | 10 ⁵ cycles |
| ISTERESI | HYSTERESIS |
| ~15% valore di taratura | ~15% of setting point |



Dimensional tables and drawings



Adjusting range (BAR)

| CAMPO DI REGOLAZIONE (Bar) / ADJUSTING RANGE (Bar) | TOLLERANZA A 20° (Bar) / TOLERANCE AT 20° (Bar) |
|---|--|
| 0,2 ÷ 1 | ~ ± 8% |
| 0,5 ÷ 2 | |
| 1 ÷ 10 | |
| 10 ÷ 20 | |
| 20 ÷ 50 | |