



## Adjustable diaphragm pressure switch with adjusting screw

### FT-PR6MP

Sub-miniature pressure switches with electrical connection to terminals, IP00 protection degree ( without cap ) or IP65 ( with cap FT-KT-012 ). Body in OT58

**Brass OT58**

**48Vdc**

**NO or NC**

**IP65**

**Clamps**

**Diaphragm**



## Technical information

### Technical description

Pressure switches of series FT-PR6 are the correspondant of series FT-P24 but with electric screw terminals connection. This particular configuration permits the installation, in addition to the IP54 cap ( FT-KT011 ), of a rigid IP65 connector ( FT-KT012 ).

### Materials

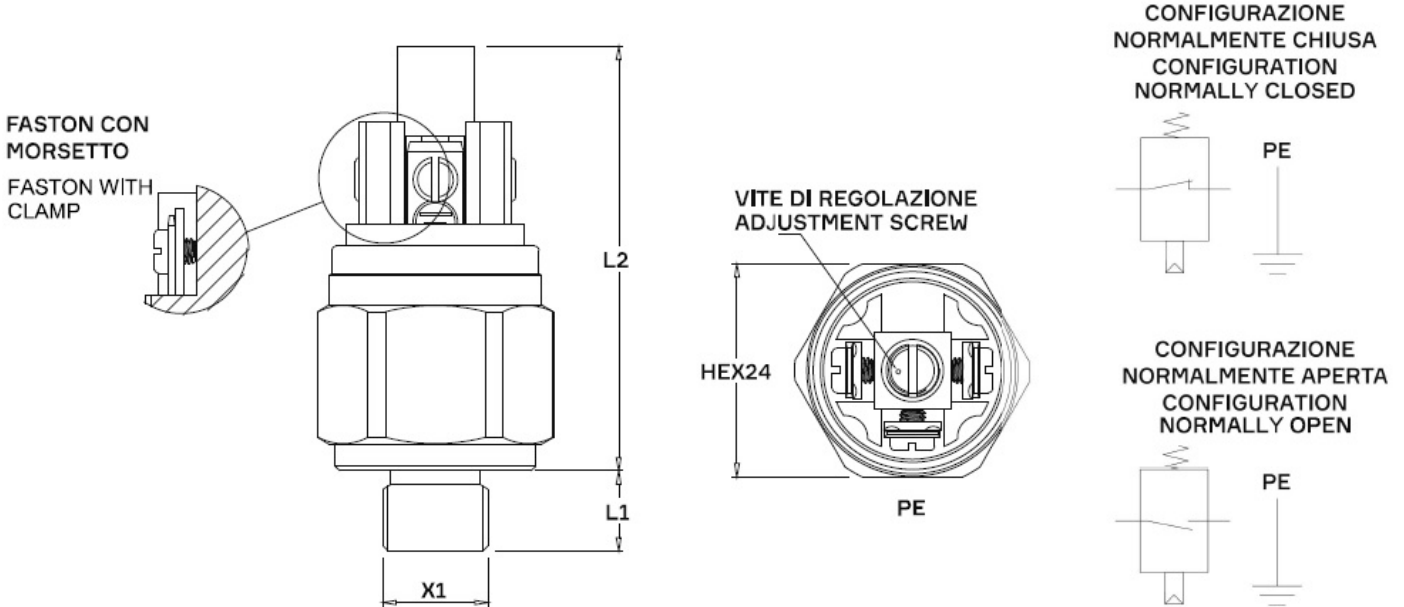
<b>CORPO / BODY</b>	<b>Ottone/Brass</b>
<b>MEMBRANA / DIAPHRAGM</b>	<b>Di serie NBR / Standard NBR</b>
<b>CONTATTI ELETTRICI / ELECTRICAL CONNECTION</b>	<b>SPDT Argentati / SPDT Silver Plated</b>

### Technical data

<b>TENSIONE MAX</b>	<b>SWITCHING RATING</b>
48V dc	48V dc
<b>CARICO ELETTRICO RESISTIVO</b>	<b>RESISTIVE ELECTRICAL LOAD</b>
48V-0,5Amp	48V-0,5Amp
<b>MASSIMA PRESSIONE</b>	<b>MAX STATIC PRESSURE</b>
40 Bar	40 Bar
<b>TEMPERATURA DI UTILIZZO</b>	<b>TEMPERATURE RANGE</b>
-20 ÷ + 80 °C	-20 ÷ + 80 °C
<b>VITA MECCANICA</b>	<b>MECHANICAL LIFE</b>
10 <sup>6</sup> cicli	10 <sup>6</sup> cycles
<b>VITA ELETTRICA</b>	<b>ELECTRICAL LIFE</b>
10 <sup>5</sup> cicli	10 <sup>5</sup> cycles
<b>GRADO DI PROTEZIONE</b>	<b>PROTECTION DEGREE</b>
IP54 con cappuccio FT-KT011	IP54 with protection cap FT-KT011
A richiesta IP65 con cappuccio FT-KT012	On demand IP65 with protection cap FT-KT012
<b>FREQUENZA MAX DI LAVORO</b>	<b>MAX WORKING FEREQUENCY</b>
30 cicli/min-10 <sup>5</sup> interventi	30 cycles/min-10 <sup>5</sup> operating time
<b>ISTERESI</b>	<b>HYSTERESIS</b>
10% valore di fondo scala	10% of full scale value



## Dimensional tables and drawings



## Adjusting range (BAR)

CAMPO DI REGOLAZIONE (Bar) / ADJUSTING RANGE (Bar)	TOLLERANZA A 20° (Bar) / TOLERANCE AT 20° (Bar)*
0,2 ÷ 1	± 0,15%
0,5 ÷ 2	± 0,2%
1 ÷ 10	± 0,6%
10 ÷ 20	± 1,5%
20 ÷ 50	± 2%
* Le tolleranze di intervento indicate sono riferite alle tarature effettuate in fabbrica	
* The toletances of set-point are referred to the settings made in factory	