



## Adjustable diaphragm pressure switch with adjusting screw

### FT-PR6HP

Sub-miniature pressure switches with electrical connection to terminals, IP00 protection degree ( without cap ) or IP65 ( with cap FT-KT-012 ). Zinc-plated steel body

**Carbon steel**

**48Vdc**

**NO or NC**

**IP65**

**Clamps**

**Piston**



## Technical information

### Technical description

Pressure switches of series FT-PR6 are the correspondant of series FT-P24 but with electric screw terminals connection. This particular configuration permits the installation, in addition to the IP54 cap ( FT-KT011 ), of a rigid IP65 connector ( FT-KT012 )

### Materials

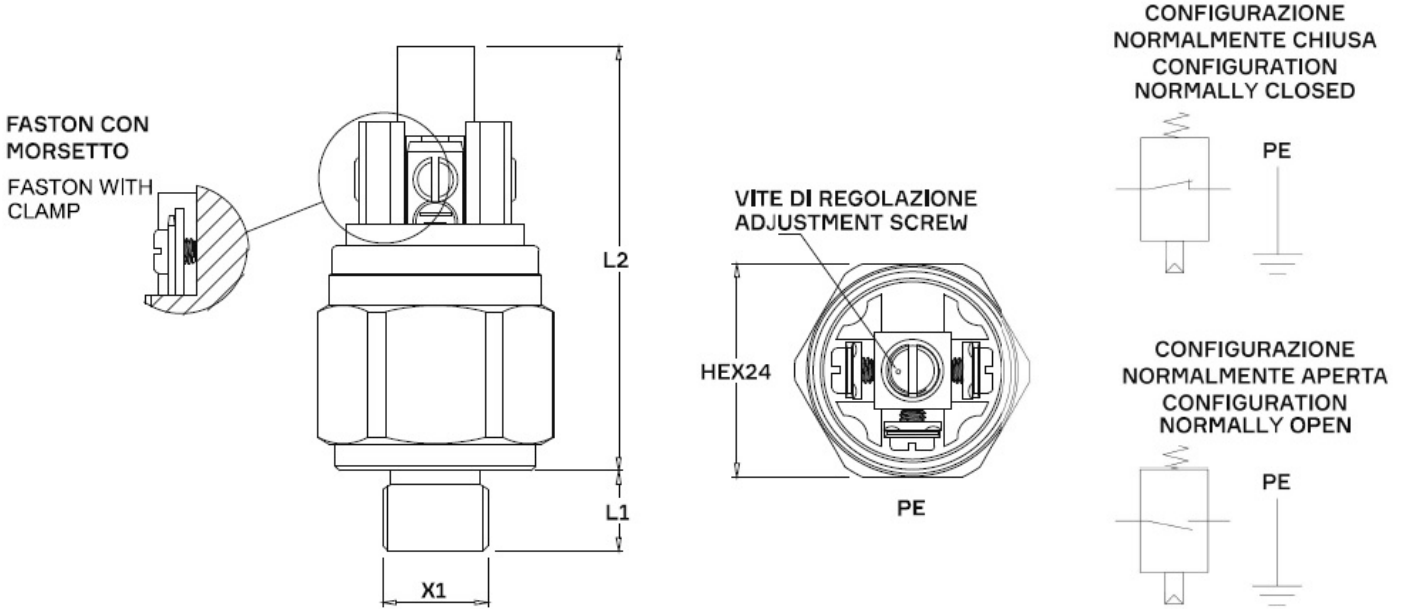
CORPO / BODY	Acciaio Zincato / Zinc Plated Steel
GUARNIZIONE / GASKET	Di serie NBR / Standard NBR
CONTATTI ELETTRICI / ELECTRICAL CONNECTION	SPDT Argentati / SPDT Silver Plated
PISTONE / PISTON	Acciaio / Steel

### Technical data

TENSIONE MAX	SWITCHING RATING
48V dc	48V dc
CARICO ELETTRICO RESISTIVO	RESISTIVE ELECTRICAL LOAD
0,5Amp	0,5Amp
MASSIMA PRESSIONE	MAX STATIC PRESSURE
450 Bar	450 Bar
TEMPERATURA DI UTILIZZO	TEMPERATURE RANGE
-20 ÷ + 90 °C	-20 ÷ + 90 °C
VITA MECCANICA	MECHANICAL LIFE
10 <sup>6</sup> cicli	10 <sup>6</sup> cycles
VITA ELETTRICA	ELECTRICAL LIFE
10 <sup>5</sup> cicli	10 <sup>5</sup> cycles
GRADO DI PROTEZIONE	PROTECTION DEGREE
IP54 con cappuccio FT-KT011	IP54 with protection cap FT-KT011
A richiesta IP65 con cappuccio FT-KT012	On demand IP65 with protection cap FT-KT012
FREQUENZA MAX DI LAVORO	MAX WORKING FREQUENCY
30 cicli/min-10 <sup>5</sup> interventi	30 cycles/min-10 <sup>5</sup> operating time
ISTERESI	HYSTERESIS
10% valore di fondo scala	15% of full scale value



## Dimensional tables and drawings



## Adjusting range (BAR)

CAMPO DI REGOLAZIONE (Bar) / ADJUSTING RANGE (Bar)	TOLLERANZA A 20° (Bar) / TOLERANCE AT 20° (Bar)*
15 ÷ 150	± 5%
100 ÷ 250	± 7,5%
40 ÷ 300	± 7,5%

\* Le tolleranze di intervento indicate sono riferite alle tarature effettuate in fabbrica

\* The toletances of set-point are referred to the settings made in factory