



Piston electro-hydraulic pressure switches for hydraulic applications

FT-IPN

Electro-hydraulic pressure switches for hydraulic applications, plate or in line mounting by adapter. Piston control

Carbon steel

220Vac

SPDT

IP65

DIN 43650/A

Piston



Technical information

Technical description

Piston operated, fixed hysteresis, electro-hydraulic pressure switch equipped with electric SPDT contact. When pre-set pressure is achieved, the piston actuates a microswitch. The setting adjustment takes place by handwheel with graduated scale.

Materials

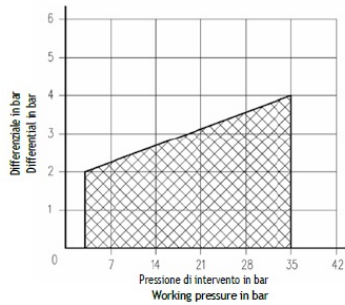
CORPO / BODY	Acciaio pressofuso/Die-cast Steel
MANOPOLA DI REGOLAZIONE / ADJUSTING KNOB	Alluminio/Aluminium
ADATTATORI / ADAPTORS	Acciaio al carbonio/Carbon Steel



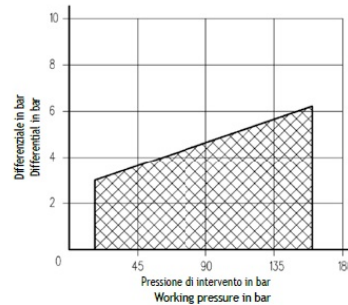
Technical data

CARICO ELETTRICO RESISTIVO	RESISTIVE ELECTRICAL LOAD
125 AC / 7 Amp	125 AC / 7 Amp
250 AC / 5 Amp	250 AC / 5 Amp
30 DC / 5 Amp	30 DC / 5 Amp
150 DC / 0,2 Amp	150 DC / 0,2 Amp
FREQUENZA INSERZIONE	CONNECTION FREQUENCY
Max. 120 cicli/min	Max. 120 cycles/min
PROTEZIONE	PROTECTION
IP65	IP65
CORRENTE CONTINUA CON CARICO INDUTTIVO	DIRECT CURRENT WITH INDUCTIVE LOAD
È possibile prevedere uno spegniarco	It is suggested to provide an arching contact
NORME DI INSTALLAZIONE	INSTALLATION RULES
I pressostati FT-IPH possono essere montati in qualsiasi posizione	The pressure switches type FT-IPH can be mounted in any position
FLUIDO DA UTILIZZARE	FLUID TO BE USED
Olio idraulico a norme DIN 51524 con viscosità compresa tra 30 e 100 mm ² /s (cSt) a 40°C	Hydraulic oil in compliance with DIN 51524 rules, viscosity between 30 and 100 mm ² /s (cSt) at 40°C
GRADO DI FILTRAZIONE μm	FILTRATION GRADE μm
25	25
TEMPERATURA DI UTILIZZO	TEMPERATURE RANGE
-20° ÷ + 75 °C	-20° ÷ + 75°C

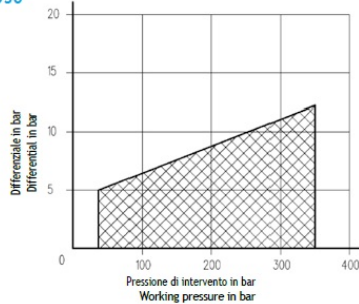
PRESSIONE DIFFERENZIALE • DIFFERENTIAL PRESSURE
FT-IPN-035



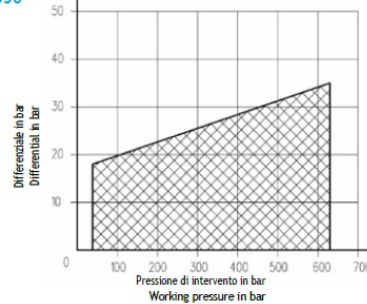
PRESSIONE DIFFERENZIALE • DIFFERENTIAL PRESSURE
FT-IPN-150



PRESSIONE DIFFERENZIALE • DIFFERENTIAL PRESSURE
FT-IPN-350

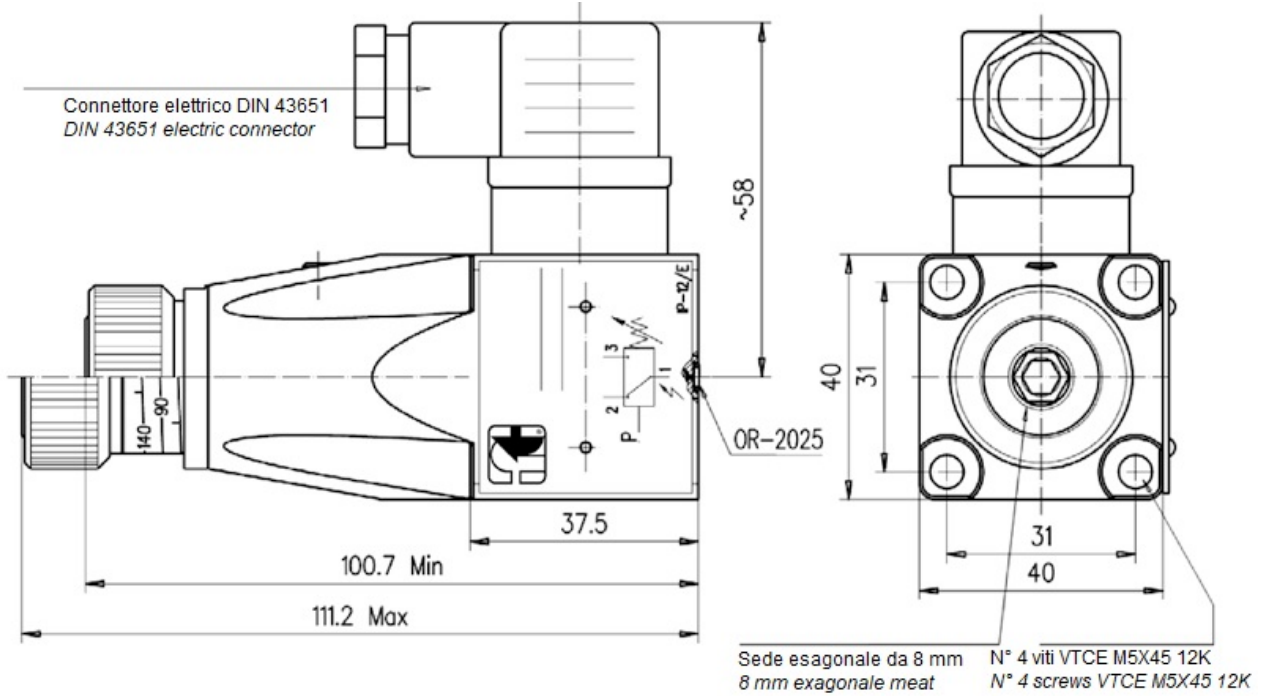


PRESSIONE DIFFERENZIALE • DIFFERENTIAL PRESSURE
FT-IPN-630





Dimensional tables and drawings



Adjusting range (BAR)

TIPO / TYPE	CAMPO DI REGOLAZIONE (Bar) / ADJUSTING RANGE (Bar)	TOLLERANZA A 20° (Bar) / TOLERANCE AT 20° (Bar)
FT-IPN-035	6 ÷ 35	< ± 1%
FT-IPN-150	12 ÷ 150	< ± 1%
FT-IPN-350	30 ÷ 350	< ± 1%
FT-IPN-630	50 ÷ 630	< ± 1%