



Piston electro-hydraulic pressure switches for hydraulic applications

FT-IPNB

Electro-hydraulic pressure switches for hydraulic applications, plate or in line mounting by adapter. Piston control

Carbon Steel / Aluminium

220Vac

SPDT

IP65

DIN 43650/A

Piston



Technical information

Technical description

The version IPNB is characterized by an aluminium body construction with red anodized treatment that makes the component design particularly attractive and easily identifiable on the plant on which it is mounted. The series IPNB preserves the peculiarities of precision, reliability and robustness already appreciated on series IPN.

Materials

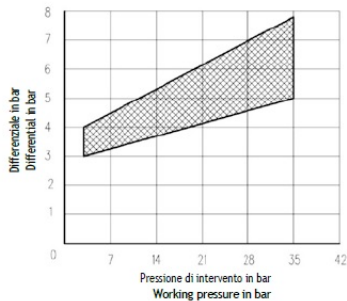
CORPO / BODY	Alluminio anodizzato rosso/Red anodized aluminium
MANOPOLA DI REGOLAZIONE / ADJUSTING KNOB	Alluminio/Aluminium
ADATTATORI / ADAPTORS	Acciaio al carbonio/Carbon Steel



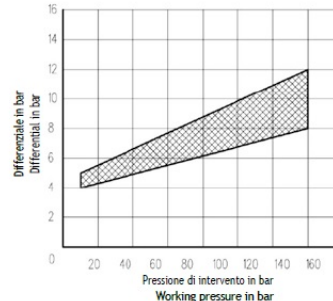
Technical data

CARICO ELETTRICO RESISTIVO	RESISTIVE ELECTRICAL LOAD
125 AC / 7 Amp	125 AC / 7 Amp
250 AC / 5 Amp	250 AC / 5 Amp
30 DC / 5 Amp	30 DC / 5 Amp
150 DC / 0,2 Amp	150 DC / 0,2 Amp
FREQUENZA INSERZIONE	CONNECTION FREQUENCY
Max. 120 cicli/min	Max. 120 cycles/min
PROTEZIONE	PROTECTION
IP65	IP65
CORRENTE CONTINUA CON CARICO INDUTTIVO	DIRECT CURRENT WITH INDUCTIVE LOAD
È possibile prevedere uno spegniarco	It is suggested to provide an arcing contact
NORME DI INSTALLAZIONE	INSTALLATION RULES
I pressostati FT-IPH possono essere montati in qualsiasi posizione	The pressure switches type FT-IPH can be mounted in any position
FLUIDO DA UTILIZZARE	FLUID TO BE USED
Olio idraulico a norme DIN 51524 con viscosità compresa tra 30 e 100 mm ² /s (cSt) a 40°C	Hydraulic oil in compliance with DIN 51524 rules, viscosity between 30 and 100 mm ² /s (cSt) at 40°C
GRADO DI FILTRAZIONE μm	FILTRATION GRADE μm
25	25
TEMPERATURA DI UTILIZZO	TEMPERATURE RANGE
-20° ÷ + 75 °C	-20° ÷ + 75°C

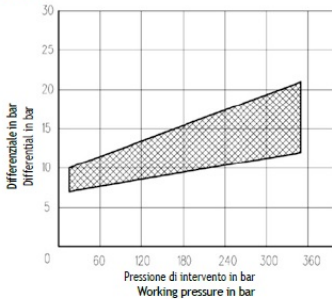
PRESSIONE DIFFERENZIALE • DIFFERENTIAL PRESSURE
FT-IPNB-035



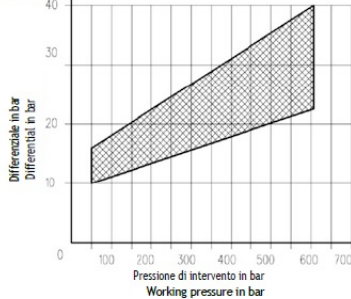
PRESSIONE DIFFERENZIALE • DIFFERENTIAL PRESSURE
FT-IPNB-150



PRESSIONE DIFFERENZIALE • DIFFERENTIAL PRESSURE
FT-IPNB-350

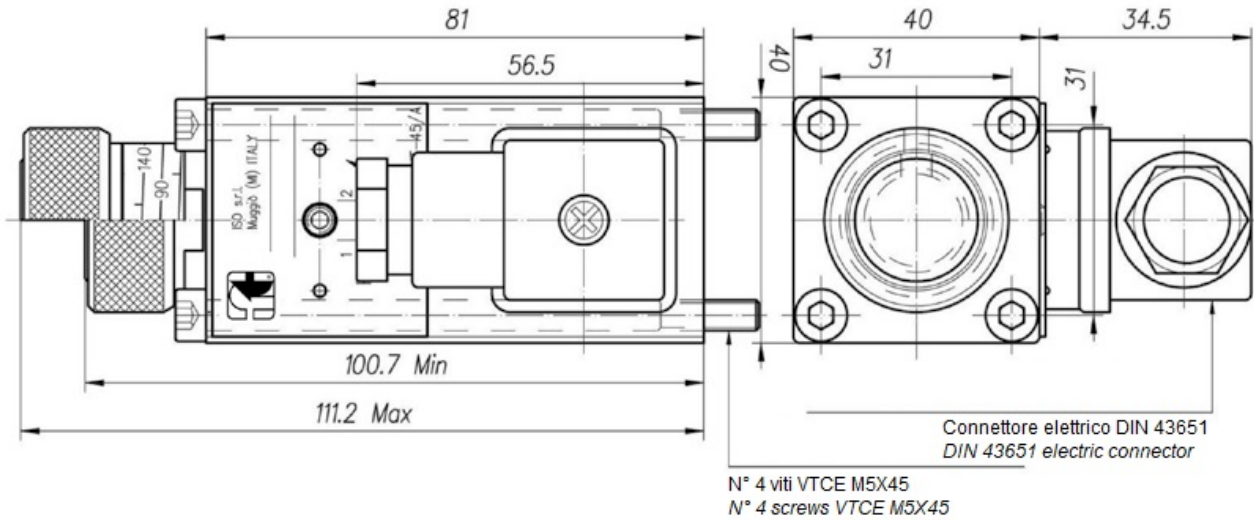


PRESSIONE DIFFERENZIALE • DIFFERENTIAL PRESSURE
FT-IPNB-630





Dimensional tables and drawings



Adjusting range (BAR)

TIPO / TYPE	CAMPO DI REGOLAZIONE (Bar) / ADJUSTING RANGE (Bar)	TOLLERANZA A 20° (Bar) / TOLERANCE AT 20° (Bar)	PRESSIONE MAX DI ESERCIZIO / MAX WORKING PRESSURE
FT-IPNB-035	6 ÷ 35	< ± 1%	350
FT-IPNB-150	12 ÷ 150	< ± 1%	350
FT-IPNB-350	30 ÷ 350	< ± 1%	650
FT-IPNB-630	50 ÷ 630	< ± 1%	650