



Adjustable diaphragm pressure switch

FT-PR7MP

Miniature pressure switches with push-on electrical connection, IP65 protection degree (with FT-KT-012). Body in OT58, SPDT contact

Brass OT58

220Vac

SPDT

IP65

PUSH-ON

Diaphragm



Technical information

Technical description

Pressure switches of series FT-PR7 are the " cheaper " version of series FT-P27. They are equipped with the same solution with micro-switch but with push-on electric connection. They can be supplied with IP65 protection cap (FT-KT-012)

Materials

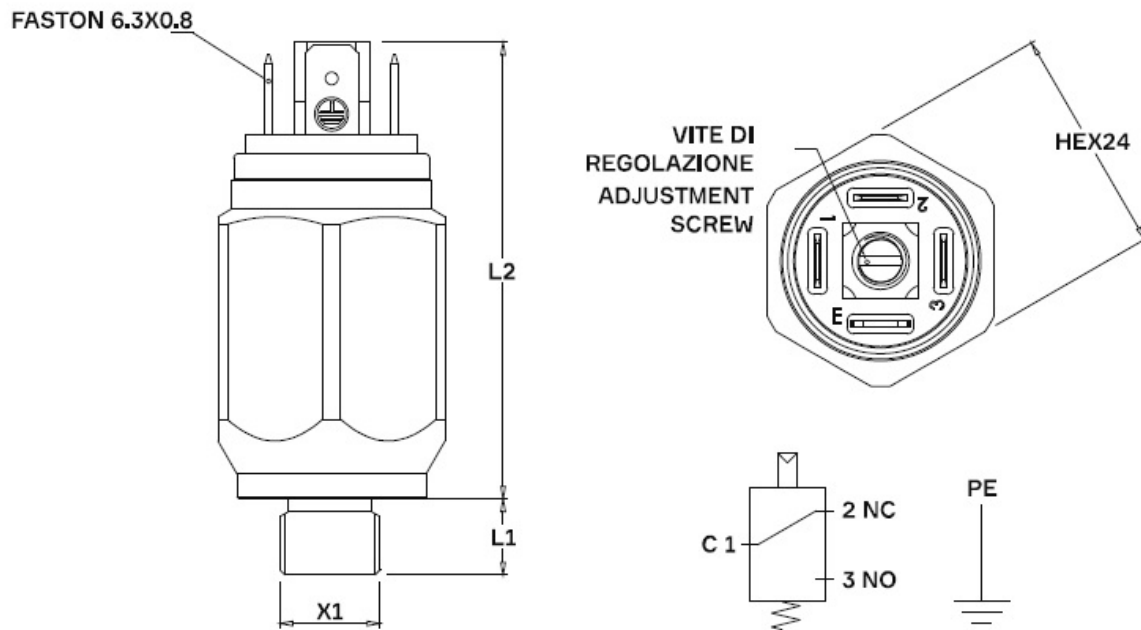
CORPO / BODY	Ottone/Brass
MEMBRANA / DIAPHRAGM	Di serie NBR / Standard NBR
CONTATTI ELETTRICI / ELECTRICAL CONNECTION	SPDT Argentati / SPDT Silver Plated

Technical data

TENSIONE MAX	SWITCHING RATING
250V dc	250V dc
CARICO ELETTRICO RESISTIVO	RESISTIVE ELECTRICAL LOAD
0,5Amp	0,5Amp
MASSIMA PRESSIONE	MAX STATIC PRESSURE
40 Bar	40 Bar
TEMPERATURA DI UTILIZZO	TEMPERATURE RANGE
-20 ÷ + 90 °C	-20 ÷ + 90 °C
VITA MECCANICA	MECHANICAL LIFE
10 ⁶ cicli	10 ⁶ cycles
VITA ELETTRICA	ELECTRICAL LIFE
10 ⁵ cicli	10 ⁵ cycles
GRADO DI PROTEZIONE	PROTECTION DEGREE
IP54 con cappuccio FT-KT011	IP54 with protection cap FT-KT011
FREQUENZA MAX DI LAVORO	MAX WORKING FEREQUENCY
30 cicli/min-10 ⁵ interventi	30 cycles/min-10 ⁵ operating time
ISTERESI	HYSTERESIS
10% valore di fondo scala	10% of full scale value



Dimensional tables and drawings



Adjusting range (BAR)

CAMPO DI REGOLAZIONE (Bar) / ADJUSTING RANGE (Bar)	TOLLERANZA A 20° (Bar) / TOLERANCE AT 20° (Bar)*
0,2 ÷ 1	± 0,15%
0,5 ÷ 2	± 0,2%
1,5 ÷ 10	± 0,6%
9 ÷ 20	± 1,5%
15 ÷ 50	± 2%
* Le tolleranze di intervento indicate sono riferite alle tarature effettuate in fabbrica	
* The toletances of set-point are referred to the settings made in factory	