



## Adjustable diaphragm/piston pressure switch

### FT-PR7SP

Miniature pressure switches with push-on electrical connection, IP65 protection degree ( with FT-KT-012 ). Zinc-plated body, SPDT contact.

**Carbon steel**

**220Vac**

**SPDT**

**IP65**

**PUSH-ON**

**Diaphragm / Piston**



## Technical information

### Technical description

Pressure switches of series FT-PR7 are the " cheaper " version of series FT-P27. They are equipped with the same solution with micro-switch but with push-on electric connection. They can be supplied with IP65 protection cap ( FT-KT-012 )

### Materials

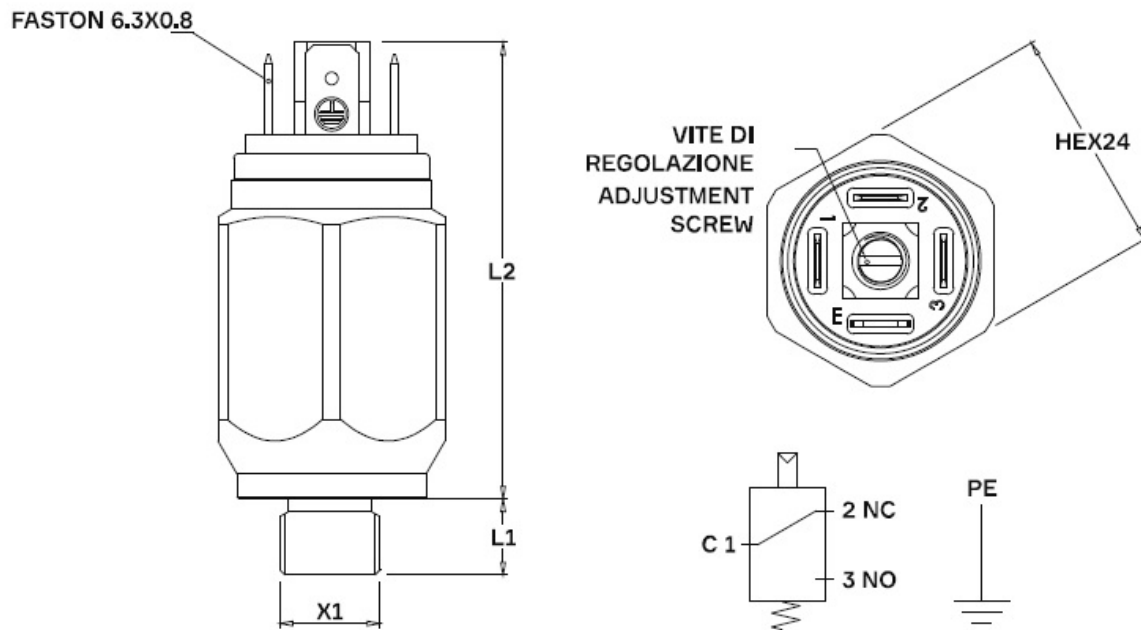
<b>CORPO / BODY</b>	<b>Acciaio Zincato / Zinc Plated Steel</b>
<b>MEMBRANA-GUARNIZIONE / DIAPHRAGM-GASKET</b>	<b>Di serie NBR / Standard NBR</b>
<b>CONTATTI ELETTRICI / ELECTRICAL CONNECTION</b>	<b>SPDT Argentati / SPDT Silver Plated</b>

### Technical data

<b>TENSIONE MAX</b>	<b>SWITCHING RATING</b>
250V dc	250V dc
<b>CARICO ELETTRICO RESISTIVO</b>	<b>RESISTIVE ELECTRICAL LOAD</b>
0,5Amp	0,5Amp
<b>MASSIMA PRESSIONE</b>	<b>MAX STATIC PRESSURE</b>
180 Bar	180 Bar
<b>TEMPERATURA DI UTILIZZO</b>	<b>TEMPERATURE RANGE</b>
-20 ÷ + 90 °C	-20 ÷ + 90 °C
<b>VITA MECCANICA</b>	<b>MECHANICAL LIFE</b>
10 <sup>6</sup> cicli	10 <sup>6</sup> cycles
<b>VITA ELETTRICA</b>	<b>ELECTRICAL LIFE</b>
10 <sup>5</sup> cicli	10 <sup>5</sup> cycles
<b>GRADO DI PROTEZIONE</b>	<b>PROTECTION DEGREE</b>
IP54 con cappuccio FT-KT011	IP54 with protection cap FT-KT011
A richiesta IP65 con cappuccio FT-KT012	On demand IP65 with protection cap FT-KT012
<b>FREQUENZA MAX DI LAVORO</b>	<b>MAX WORKING FREQUENCY</b>
30 cicli/min-10 <sup>5</sup> interventi	30 cycles/min-10 <sup>5</sup> operating time
<b>ISTERESI</b>	<b>HYSTERESIS</b>
10% valore di fondo scala	10% of full scale value



## Dimensional tables and drawings



## Adjusting range (BAR)

CAMPO DI REGOLAZIONE (Bar) / ADJUSTING RANGE (Bar)	TOLLERANZA A 20° (Bar) / TOLERANCE AT 20° (Bar)*
0,2 ÷ 1	± 0,15%
0,5 ÷ 2	± 0,2%
1,5 ÷ 10	± 0,6%
9 ÷ 20	± 1,5%
15 ÷ 50	± 2%
50 ÷ 100	± 5%
* Le tolleranze di intervento indicate sono riferite alle tarature effettuate in fabbrica	
* The toletances of set-point are referred to the settings made in factory	